



THE QUEEN'S
PLATINUM JUBILEE
BEACONS
2ND JUNE 2022



YOUR GUIDE TO TAKING PART



Contents

- 3 *Certificate of Grateful Recognition*
- 4 *Introduction* by Bruno Peek LVO OBE OPR, Pageantmaster.
- 11 *A Proclamation* - by Jane L. Smith, Bognor Regis Town Crier.
- 12 *A Proclamation* - London Pearly Kings, Queens, Princes and Princesses attending Trafalgar Square at 2pm on 2nd June 2022.
- 13 *Diu Regnare* - Music written by Pipe Major Stuart Liddell.
- 14 *Majesty* - Playing at 9.40pm to fanfare the lighting of the Beacons at 9.45pm.
- 15 *A Song for The Commonwealth* - A Life Lived with Grace.
- 21 *How to take part and beacon lighting ceremony*
- 22 *Platinum Jubilee Gas-Fuelled Beacon* - Bullfinch Gas Equipment.
- 23 *Platinum Jubilee Gas-Fuelled Beacon* - 21CC Group Ltd.
- 24 *The Queen's Platinum Jubilee Beacon Brazier*
- 25 *Bonfire Beacon*
- 26 *Bishops Frome Strawman*
- 27 *Legal Essentials and Safety*
- 28 *The Queen's Platinum Jubilee Beacon Trail*
- 29 *The Queen's Platinum Jubilee Beacon Tart*
- 30 *The Queen's Platinum Jubilee Beacons Acknowledgements*
- 54 *Girlguiding*
- 56 *Scouts*
- 65 *Pipes & Drums - Roll of Honour*
- 86 *Town Criers - Roll of Honour*
- 92 *The Queen's Platinum Jubilee Beacons* - Partners.
- 94 *The Queen's Platinum Jubilee Beacons* - Supporters.
- 103 *The Queen's Platinum Jubilee Beacons* - Fantastic Fireworks.

Certificate of Grateful Recognition



This A4 certificate will be sent to all participants at the end of June 2022, via email, enabling them to print, frame and keep it as a permanent reminder of the moment in history celebrated.

You may wish to print off extra copies, presenting them to those assisting you in this special tribute to Her Majesty The Queen.

Introduction

A warm welcome to all our fellow celebrators.

There is a long and unbroken tradition in our country of celebrating Royal Jubilees, Weddings and Coronations with the lighting of beacons - on top of mountains, church and cathedral towers, castle battlements, on town and village greens, country estates, parks and farms, along beaches and on cliff tops. In 1897, beacons were lit to celebrate Queen Victoria's Diamond Jubilee. In 1977, 2002 and 2012, beacons commemorated the Silver, Golden and Diamond Jubilees of The Queen, and in 2016 Her Majesty's 90th birthday.



The Queen's Diamond Jubilee Beacon, The Mall, London, 4th June 2012.
©Press Association Images.



Town Crier, James Donald - Howick, New Zealand.

On 2nd June 2022, we will celebrate another unique milestone in our history, Her Majesty The Queen's 70th year as our Monarch and Head of the Commonwealth - her Platinum Jubilee. It is a feat no previous monarch has achieved.

More than 2,022 beacons will be lit throughout the United Kingdom, Channel Islands, Isle of Man and UK Overseas Territories, and one in each of the capital cities of Commonwealth countries in recognition of The Queen's long and selfless service. The beacons will enable local communities, individuals and organisations to pay tribute to her as part of the official Platinum Jubilee Weekend of celebrations from 2nd to 5th June 2022.

There are four types of beacons being lit for this historic occasion:

- A free-standing beacon fuelled by bottle gas (see pages **22 & 23**).

- A beacon brazier with a metal shield. This could be built by local craftsmen/women or adopted as a project by a school or college (see page **24**).

- A bonfire beacon (see page **25**).

- Bishops Frome Strawman (see page **26**).

Communities with existing beacon braziers are encouraged to light these on the night.

If you wish to take part, you can register your participation by providing the information requested on page **21** under the heading, "How to take part," sending it direct to brunopeek@mac.com.



Bonfire Beacon (HM The Queen's Diamond Jubilee, 4th June 2012). Inveraray Castle, Scotland.
© Inveraray Castle.



A gas fuelled beacon on HM Tower of London in celebration of The Queen's Diamond Jubilee. Photo provided by courtesy of HM Tower of London.

Town Criers

At **2pm** local time Town Criers are being invited to undertake the Proclamation (see page 9) announcing the lighting of the beacons later that evening. **Pipers** - at **9.35pm** local time across the UK and the Commonwealth, individual pipers and pipe bands are being asked to play "Diu Regnare" from central locations of their choice from within their local communities as their personal tribute to Her Majesty The Queen. (This time will vary in each time zone across the world). This unique tune has been especially written for this historic Jubilee by Piper Stuart Liddell, 2020 Glenfiddich

Champion and Pipe Major of the World Champion Pipe Band, Inveraray and District (see page **13**).

To officially announce the lighting of the beacons at **9.45pm** local time in the country they are in, we have had a unique Bugle Call written, entitled 'Majesty,' and would like to encourage Buglers and Cornet players to undertake this at **9.40pm** on the night from the individual beacon locations within local communities, adding another colourful element to this special tribute to Her Majesty the Queen by musicians from within local communities – (see page **14**).



Piper Robert Cunningham on the Peak of Scafell Pike, England. By kind permission of The National Trust.

"The Royal Scottish Pipers' Society are honoured to participate in our Patron The Queen's Platinum Jubilee Celebrations in June 2022.

Her Majesty's extraordinary service to this country is unparalleled. Accordingly, we encourage everyone to express their appreciation and gratitude by supporting this amazing Jubilee event," said Gordon Wallace, Hon. Pipe Major, Royal Scottish Pipers' Society.

Alan Hay, Chairman of The Royal Celtic Society whose Patron is Her Royal Highness The Princess Royal said, "Having for two hundred years been at the cutting edge of traditional music and language in Scotland, we recognise the enormous commitment Her Majesty The Queen, has made in serving the Commonwealth and its people. We are delighted therefore, to encourage all our members to participate in the Jubilee celebrations and our pipers to play Diu Regnare, composed by our member Stuart Liddell in honour of this historic event."

The National Piping Centre, whose Patron is His Royal Highness The Prince of Wales, is also delighted to be involved in The Queen's Platinum Jubilee Beacons, and will be encouraging



Northumbrian Piper Andrew Davidson.

pipers throughout the UK, Channel Islands, Isle of Man, and in the capital cities of the Commonwealth, to play this special tune five minutes before the beacons are lit that evening.

“The Royal Scottish Pipe Band Association would be delighted to support such an auspicious occasion and we will invite all our members to support this initiative as events like these help promote the long standing relationship the The Royal Scottish Pipe Band Association has with The Royal Family and we congratulate Her Majesty The Queen on her Platinum Jubilee,” said Kevin Reilly, Chairman RSPBA.

“The Northumbrian piping community will be extremely thrilled and honoured to be involved in this tremendous project being organised to recognise The Queen’s Platinum Jubilee,” said Tom Fairfax - Trustee, Northumbrian Pipers’ Society.

A Song for the Commonwealth

To coincide with the lighting of the Beacons, choirs of all types and sizes within local communities are warmly encouraged to sing this unique ‘Song for the Commonwealth,’ the winner of a Commonwealth-wide song competition organised over the last few months, filling the world with the sound of music and song in celebration of this special moment in The Queen’s life. The song should be sung at exactly **9.45pm**. local time in whichever country they are in, on 2nd June 2022. Please sign up your choir for what promises to be a wonderful opportunity, using this link: <https://www.commonwealthresounds.com/qjpb/>

Grammy Award winning singer-songwriter Gregory Porter has kindly agreed to be the Principal Singer of ‘A Life Lived with Grace’ as part of The Queen’s Platinum Jubilee Beacons for this unique moment on 2nd June 2022.

Gregory is delighted to be playing a role in this unique celebration of The Queen’s 70 year reign in her life too. This is an amazing opportunity to sing the Song for the Commonwealth with the choirs as the Beacons are being lit through throughout the United Kingdom, Channel Islands, Isle of Man, UK Overseas Territories and the Commonwealth at 9.45pm on June 2nd 2022 (9.15pm in the Commonwealth)



Photo of Gregory Porter by Erik Umphery.

Important: Choirs taking part do not necessarily have to be linked to the lighting of a beacon, it is the involvement of your choir representing your local community in this special aspect of The Queen's Platinum Jubilee Beacons, from a location of your choice that evening, that is the most important - “voices around the globe joining together in celebration.”



“On behalf of the Military Wives Choirs, I am thrilled that we are to be a part of The Queen’s Platinum Jubilee Beacons. Our network brings together over 70 choirs united through the power of singing, and we are looking forward to sharing in this momentous celebration. We are eagerly anticipating the specially written song for the Commonwealth and look forward to our network rehearsing across the UK and internationally. It is only appropriate that this unique milestone in history is marked with music, the strength of which is evident. Our passion for singing is clear and we are honoured to make these performances into a special event for Her Majesty The Queen’s 70th year as our Monarch and Head of the Commonwealth on her Platinum Jubilee,” said Melanie Nightingale, Director, Military Wives Choirs.



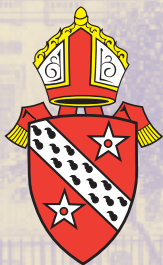
‘I warmly encourage Christians and church choirs throughout the country to join in singing the ‘Song for the Commonwealth’ at 9.45pm on 2nd June 2022, as the Queen’s Jubilee Beacons are lit throughout the United Kingdom, Channel Islands, Isle of Man and in each of the Capital Cities of the Commonwealth.

This will be a moment of remarkable celebration, as we join together across different generations, denominations, faiths and communities all over the world in proper tribute to Her Majesty the Queen. My prayer is that this might be a chance to truly celebrate Her Majesty’s historic 70 years of service to her country and the Commonwealth, reaching out in friendship, and building community as we are

reminded of our common bond under the Crown. May God watch over Her Majesty, may He bless her and her people, and may this wonderful celebration be an occasion to give thanks, both for the Queen and for the God of service and unity,' said *The Most Revd Justin Welby, Archbishop of Canterbury.*



Beacon Brazier, St Mary's Green, City of Ely, Cambridgeshire.



"The Church in Wales is delighted to be joining the tributes to her Majesty the Queen on the historic occasion of her platinum jubilee. We encourage church choirs of all faiths across Wales to join in singing the 'Song for the Commonwealth' at 9:45pm on the 2nd June 2022 as the jubilee beacons are lit across the United Kingdom and the capital cities of the Commonwealth.

This is a marvellous opportunity for disparate nations, communities, faiths and generations to join together in

common fellowship and thank Her Majesty for the 70 years of service and leadership she has given to millions across the world. Let us lift our voices as one to honour both our Queen and the God she has served with such faith and diligence," said *The Right Reverend Andy John, Bishop of Bangor (Senior Bishop of the Church in Wales).*



"On behalf of the Church of Scotland, I am delighted to welcome this opportunity to celebrate Her Majesty The Queen's remarkable reign, and the example of faithful service which she has given during the last 70 years. We will be encouraging our congregations across Scotland and beyond to take part in singing the 'Song For the Commonwealth' at 9.45pm on the 2 June next year, at the same time that the jubilee beacons are lit in Britain and throughout the Commonwealth. We also give thanks to God for her witness and for the faithfulness with which she has served the nation. We look forward to joining others throughout the world at a time when coming together as a community has never felt more important." *Lord Wallace, Moderator of the General Assembly of the Church of Scotland.*



"Churches Together in England encourages church choirs throughout England, from every tradition, to come together in local communities, joining where possible with other community choirs at 9.45pm on 2nd June 2022, to make the celebrations of Her Majesty the Queen's Platinum Jubilee truly memorable, and a fitting tribute to the dedication of her Majesty to the service of the nations of the United Kingdom and Commonwealth. This is an opportunity to join together ecumenically, and with the wider community, to make music, and build community. I hope that every choir in the land will find ways of embracing such a unique opportunity to make music together by singing the "Song for the Commonwealth," forming new friendships and deepening existing ones, in honour her Majesty and the God whom she serves with such faithfulness." *Rev'd Dr Paul Goodliff, General Secretary, Churches Together in England.*



"Churches Together in Britain and Ireland is delighted to support this initiative that encourages choirs across Great Britain and Northern Ireland to join together on the 2nd June 2022 as part of the celebrations

of Her Majesty the Queen's Platinum Jubilee to sing together the "Song of the Commonwealth". We hope many choirs will take part and we give thanks for the service that Her Majesty has given over many decades and continues to give." *Dr Nicola Brady, General Secretary, Churches Together in Britain and Ireland.*

"Battel Bonfire Boyes, (photo above) the world's oldest bonfire society, is delighted to be lighting a beacon in celebration of The Queen's Platinum Jubilee as part of this amazing tribute," said *Matt Southam, press and publicity officer.*



Battel Bonfire Boyes. Photograph by Clifton Brothers.



"Help for Heroes is honoured to salute Her Majesty The Queen, as we did in 2012, by taking part in The Queen's Platinum Jubilee Beacons. Wounded veterans and their families will proudly light beacons at the four

furthest corners of the UK and the Help for Heroes choir will join with voices across the Commonwealth," said, *Melanie Waters, Chief Executive, Help for Heroes.*



“Fram Farmers and its members throughout Great Britain are delighted and honoured to be participating in Her Majesty The Queen’s Platinum Jubilee on 2nd

June 2022. Farms and country estates will be lighting beacons in tribute to Her Majesty the Queen, continuing a long and unbroken tradition of celebrating Royal Jubilees, Weddings and Coronations. This will be the last chain of Beacons lit during The Queen’s reign, a unique occasion for us all to join the nation’s tribute to her Majesty, and we would encourage all Farms and Estates to be part of this historic occasion.”
Andrew Knowles, Chief Executive Officer.



The Queen’s Platinum Jubilee Beacon Tart.

To celebrate this historic moment in The Queen’s reign, we wanted to produce a special Tart made from produce from each of the four countries of the United Kingdom, that could be served either hot or cold at the individual Beacon locations, as well as those singing the Song for the Commonwealth from locations of their choice from within their local communities whether they were involved with a Beacon or not, so my friends from Country Women Country Wide have kindly devised a unique recipe for this Tart (see page 20), it’s delicious.

“The RNLI are also thrilled to commit to the event by lighting a Beacon in each of their 6 lifesaving regions of the UK,” *said Emily Foster, Bicentenary Campaign Manager RNLI.*

“The Royal Institution of Chartered Surveyors (RICS) is honoured to lead the lighting of the UK’s Anchor Chain of beacons for our Patron’s historic Platinum Jubilee. It is only fitting that this aspect of the beacons will be led by RICS Matrics, a key part of our organisation which supports many thousands of young professionals in shaping their own future history and lasting legacy.” *Sean Tompkins, CEO RICS.*



“The NFU is delighted to be supporting The Queen’s Platinum Jubilee Beacons and will be encouraging our members

throughout England and Wales to light beacons as part of the celebration. From the uplands to the lowlands, our farmers will be lighting beacons on the most iconic parts of the countryside in tribute.” *Minette Batters, President, NFU.*

Walking with the Wounded, one of our country’s leading Forces charities, will light gas-fuelled beacons on top of the four highest peaks in the UK - Ben Nevis, Scotland; Scafell Pike, England; Mount Snowdon, Wales, and Slieve Donard, Northern Ireland, paying tribute to The Queen while raising valuable funds for the welfare of wounded service personnel.

Beacons will also be lit on The Queen’s Sandringham and Balmoral Estates, at the Copper Horse statue of King George III in Windsor Great Park, Hillsborough Castle, Northern Ireland, and on the battlements of the Tower of London. In my home town of Great Yarmouth, Norfolk, the Borough Council will light its beacon brazier on the town’s famous Golden Mile. One will also be lit outside the 17th century Tan Hill Inn in the Yorkshire Dales, the highest pub in Great Britain. English Heritage will light at least 17 beacons on heritage sites, and others will be lit in Enniskillen, County Fermanagh, Northern Ireland; Sark and Alderney in Channel Islands, St Davids, the most westerly City in Wales, and the Isle of Wight.

One Voice Wales, which has taken part in previous jubilee events, will be inviting member councils to light beacons, and Historic Houses will encourage member estates to participate too.



National Trust

“The National Trust is delighted to be playing an active role in The Queen’s Platinum Jubilee Beacon lighting on 2nd June 2022, in celebration of this unique moment in The Queen’s reign. We also took part in The Queen’s Diamond and Golden Jubilee Beacons in June 2012 and 2002, as well as the First World War Centenary

Beacon lighting in 2018 and look forward to welcoming visitors to attend this special tribute to Her Majesty The Queen,” *said Justin Albert, Regional Director for Wales.*

In a similar way to previous Royal Jubilees, the Army Cadet Force Association will be actively supporting this special occasion by lighting the National Sports Beacon at the start of the National Athletics Championships in Grantham, England, one of many others across the UK.

Dyfed & Glamorgan Army Cadet Force will light a beacon on top of Pen-y-Fan, the highest peak in South Wales, as part of a pan-Wales Army Cadets event to mark the Jubilee.



We are also pleased to confirm the involvement of Girlguiding throughout the UK, Channel Islands and the Isle of Man, *with Girlguiding Chief Guide Amander Medler*

saying, “I’m delighted that Girlguiding is supporting the lighting of Beacons to celebrate this very special Jubilee marking the 70-year reign of our Patron Her Majesty the Queen.”

Beacons are being lit on some of our country’s oldest estates, including Woburn Abbey, Highclere Castle, Cholmondeley Castle, Hatfield House, Belvoir Castle, Holkham Hall, Houghton Hall, Bolton Abbey, Blenheim Palace, Arundel Castle, Chatsworth, Wellington, Roxburgh and Badminton. Hadrian’s Wall Partnership and its communities along the Wall are also involved and will be lighting celebration beacons.

The Right Honourable Lord McLoughlin CH, BTA Chairman said, “I would like to encourage every City, County, Borough, District, Regional, Community, Town and Parish Council throughout Great Britain to light a beacon in celebration of this unique moment in The Queen’s life, and would ask all those taking part to go to page 21 of this Guide and register their involvement as soon as possible.”



Hadrian's Wall runs from Wallsend in Tyneside through the county of Northumberland to the west of Carlisle, Cumbria, England. Photo by courtesy of Roger Clegg.

Silver, Golden and Diamond Jubilees and her 90th Birthday Beacons. The earliest known record of a beacon lighting in the village is for George V's Silver Jubilee of 1935," said Simon Manuel, Chairman of the Association.



TRINITY HOUSE

Captain Ian McNaught, Deputy Master of Trinity House, said, "I am pleased that we, at Trinity House, can support this event marking HM The Queen's Platinum Jubilee. By lighting beacons at lighthouses around our shores we will help make this a celebration to remember and also honour our long-standing involvement with Her Majesty and The Royal Family."



"Rotary International Great Britain & Ireland are delighted to once again take part in Her Majesty's Platinum Jubilee Beacon Event as we were for the Diamond Jubilee, we look forward to clubs around Scotland, England, Ireland, Wales, The Channel Islands and the Isle of Man taking an



"The National Coastwatch Institution is delighted to be part of this important tribute to Her Majesty The Queen, and will be encouraging all its 56 watch stations around the coast of England and Wales to take part in lighting beacons on the night," said Commander Lesley Suddes RN, Chairman NCI. Beacons will also be lit at Coastwatch Scotland's Irvine and St Monans stations by their groups of volunteers.

"The Chiddingfold Bonfire Association (photo right) consider it a great honour in using this opportunity to pay tribute to Her Majesty The Queen by lighting a beacon in celebration of her Platinum Jubilee on behalf of our wonderful village and community. Our tradition of lighting beacons for Her Majesty The Queen extends all the way back to her Coronation in 1953,



Chiddingfold Bonfire Society Torchlight Procession. Photograph by Steve Baker.

active role in this prestigious event," said David Ellis, Chairman of the Executive, Rotary International Great Britain & Ireland.

nalc

National Association
of Local Councils

Councillor Sue Baxter, NALC chair, said: "The National Association of Local Councils (NALC) is delighted to be supporting The Queen's Platinum Jubilee Beacons, and will be encouraging local councils throughout England to light beacons as part of this celebration".

CLA

Mark Tuftnell, President of the Country Land and Business Association, said:

"It is difficult to imagine a greater public servant, in any country at any time, than Her Majesty The Queen. The platinum Jubilee provides an opportunity to celebrate The Queen's tireless work in the service of the United Kingdom and the Commonwealth.

"The long tradition of lighting beacons to celebrate Royal events is familiar to landowners across the country. I strongly encourage Country Land and Business Association members to join in the festivities, uniting their local communities in celebration and gratitude, by lighting a Beacon on 2nd June 2022."



QUEEN'S
COMMONWEALTH
TRUST
PLATINUM JUBILEE 2022

"The Queen's Commonwealth Trust (QCT), which was launched in recognition of Her Majesty The Queen's lifetime of service to others and her love for the Commonwealth and its young people, is delighted to be involved in The Queen's Platinum Jubilee Beacons' project, with QCT young leaders lighting beacons across the 54 Commonwealth countries in recognition of Her Majesty The Queen's 70 years of service and her belief that young people across the Commonwealth are beacons of hope for our collective future," said Christopher Kelly, Chief Executive, The Queen's Commonwealth Trust.

We have started to be approached by organisations and communities who want to light a beacon to celebrate the

Queen's Platinum Jubilee but, for various reasons are unable to do so, so have asked if they could participate with a sustainable Beacon instead.

For example, Tameside Hospital in Manchester, who will be lighting the official NHS beacon, have teamed up with their nearby further education college. Using broken and old hospital beds the welding and design apprentices are creating a unique framework, shaped like a crown, while the lighting and optics students will generate blue laser projections from the centre of the beacon to signify the distinct NHS colour. We are delighted therefore, that people are using innovative ways to take part in the beacon lighting, celebrating this wonderful occasion alongside traditional beacons.

As this will be the last chain of Beacons lit during The Queen's 70-year reign, we hope that individuals, local authorities, voluntary and youth groups, farming communities and others will join with the many organisations who have already agreed to take part in this special tribute to Her Majesty on 2nd June 2022. Let's make it the largest celebration of its kind the world has ever seen.

IMPORTANT: To enable us to register your involvement in this unique tribute to Her Majesty the Queen on 2nd June 2022, please go to **page 21** of the Guide and provide the information requested in **Step 1**, sending it directly to brunopeek@mac.com asap, or by **no later than 30th May 2022**, allowing us to send you updated information in due course.

IN ADDITION: If you would like your beacon lighting event to feature on the interactive map on the government's Platinum Jubilee website, please also submit details at: www.platinumjubilee.gov.uk/event-submission

Bruno Peek

Bruno Peek LVO OBE OPR
Pageantmaster
The Queen's Platinum Jubilee Beacons



A Proclamation



Oyez Oyez Oyez

*Today in our nation - and throughout the Commonwealth -
we are celebrating our glorious Queen's Platinum Jubilee.*

*Elizabeth - the second of that name -
our most beloved Sovereign and Head of the Commonwealth for seventy years.*

*How apt that this should be the Platinum anniversary of her accession -
Platinum - that most noble of metals,
more precious even than gold.*

*And so it is in honour of this unique occasion
that beacons will be lit this evening
throughout the United Kingdom,
the Channel Islands, the Isle of Man and the UK Overseas Territories -
and in all the Capital Cities of the Commonwealth.*

*Let it be known,
in proclaiming this tribute to Her Majesty the Queen on her Platinum Jubilee,
that we are one nation and one Commonwealth.*

God Save The Queen



Jane L Smith, Bognor Regis Town Crier
and author of the Proclamation.



A Proclamation

London Pearly Kings, Queens, Princes and Princesses attending Trafalgar Square at 9pm on 2nd June 2022

The list (below) of Pearly Kings, Queens, Princes and Princesses will be the largest single number of people announcing the Proclamation at one time at 2pm local time in the country they are in, supported at locations of their choice by traditional Town Criers throughout the UK and those countries within the Commonwealth that have them.



Katie Barnes – Pearly Queen of Thornton Heath
Kim Bennett – Pearly Queen of Woolwich
Clive Bennett – Pearly King of Woolwich
Nicola Marshall – Pearly Queen of Welwyn Garden City
Willow Marshall – Pearly Princess of Welwyn Garden City
Gwendoline Jones – Pearly Queen of Royal Greenwich
Paula Hemsley – Pearly Queen of Harrow
David Hemsley – Pearly King of Harrow
Esme Ferrai – Pearly Princess of Harrow
Ariana Ferrai – Pearly Princess of Harrow
Sophie Hemsley – Pearly Queen of Royal Tunbridge Wells
Kevin Howard – Pearly King of Newham
Charlotte Lancaster – Pearly Princess of Woolwich
Ronnie Bennett – Pearly Prince of Woolwich
Lily Bennett – Pearly Princess of Woolwich
Bob Paice – Pearly King of Forest Gate

Sue Paice – Pearly Queen of Forest Gate
Terry Scott – Pearly King of Highgate
Connor Scott – Pearly Prince of Highgate
Lola Gibbard – Pearly Queen of Norbury
Amie Gibbard – Pearly Princess of Norbury
John Walters – Pearly King of Finsbury
Darren Walters – Pearly Prince of Finsbury
Linda Murphy – Pearly Queen of Shoreditch
Amy Rowe – Pearly Queen of Shoreditch
Richard Rowe – Pearly Prince of Shoreditch
Scarlett Rowe – Pearly Princess of Shoreditch
Phylliss Broadbent – Pearly Queen of Islington
Teresa Watts – Pearly Queen of Clapton
Jackie Murphy – Pearly Queen of Hackney
Alfie Watts – Pearly King of Hackney
Mark O Brian – Pearly Pride of Hackney

Keith Crowe – Pearly King of Homerton
Sharon Crowe – Pearly Queen of Homerton
Alfie Crowe – Pearly Prince of Homerton
Jack Crowe – Pearly Prince of Homerton
Shannon Crowe – Pearly Queen of Haggerston
Wyatt Crowe – Pearly Prince of Haggerston
Connor Crowe – Pearly King of Wembley
Elijah Crowe – Pearly Prince of Wembley
Wendy Lottus – Pearly Queen of The Borough
Caroline Bircham – Pearly Queen of Stoke Newington
Cheryl Day – Pearly Queen of Brent
Jack James – Pearly King of Royal Kensington
Jimmy Jukes – Pearly King of Bermondsey & Camberwell
Michelle Thorpe – Pearly Queen of Bermondsey & Camberwell
Diane Gould – Pearly Queen of St.Pancras

Diu Regnare

Music written by Pipe Major Stuart Liddell - Glenfiddich Champion Piper

The musical score for 'Diu Regnare' is presented in ten staves of music. The key signature is one sharp (F#) and the time signature is 6/8. The score includes various musical notations such as treble clefs, notes, rests, and repeat signs. There are first and second endings marked with '1' and '2' respectively. The music is written in a single melodic line.



Stuart Liddell at Duntrune Castle on the north side of Loch Crinan in Argyll, Scotland.

A handwritten signature of Stuart Liddell in black ink.

Majesty

The playing of Majesty at 9.40pm to fanfare the lighting of the Beacons at 9.45pm

What an honour to be asked to pen a bugle call to fanfare the lighting of The Queen's Platinum Jubilee Beacons.

To think that it will be sounded right across the world, to mark this truly historic event makes me very proud indeed.

It can be played by a solo bugler/cornet/trumpet or at the end of the call there is an opportunity to join with friends to fill the last chord with harmonies.

Buglers of all ages and all abilities should not find it a difficult piece.

So, play it as the title suggests, with Majesty.

*Bugler Sjt A.W. Carlisle
Hillsborough Fort Guard
Northern Ireland*



2021 copyright A. W. Carlisle.



A Song for The Commonwealth

A Life Lived with Grace



The competition was launched Commonwealth-wide on June 2nd 2021. We were delighted to receive so many excellent, meaningful entries from lyricists and composers throughout the Commonwealth. Every single piece of work has been carefully read or listened to before choosing the winner.

Sincere thanks also to H.E. Baroness Scotland Q.C, Secretary-General of the Commonwealth, Judith Weir CBE, Master of the Queen's Music, Bruno Peek LVO OBE OPR, Pageantmaster of The Queen's Platinum Jubilee Beacons who came up with the concept for The Song for the Commonwealth linked to the lighting of the Beacons on 2nd June 2022, Roderick Williams OBE, Baritone, Graham Trew MVO, Dr Anne Gallagher AO, Director-General of the Commonwealth Foundation and Stephen Miles GRSM FGMS who adjudicated the different stages of the competition with such skill and care.

The competition has been organised by Commonwealth Resounds under the excellent and dedicated leadership of Alison Cox OBE, Founder and Chairman of this organisation - www.commonwealthresounds.com.

The overall winners are Atueyi Vincent Chinemelu (composer) from Nigeria and Lucy Kiely (lyricist) from Australia.

The song is called 'A Life Lived with Grace'

It will be available via the link below from January 2nd 2022 for all choirs to download and learn <https://www.commonwealthresounds.com/qjpb/> Choirs - please use this link to SIGN UP AND REGISTER to take part in this exciting event!

WINNER Atueyi Vincent Chinemelu - Nigeria

BIOGRAPHY

Atueyi is a 38-year-old academic musician from Anambra State in Nigeria. He is a multi-instrumentalist who plays the piano, flute, cello, trumpet, alto-sax and guitar and in 2021 he received the Department Award of Excellence from the University of Uyo, Nigeria after studying there for 5 years. Ordained as a Roman Catholic Priest in 2011 after his Theological studies, Atueyi is credited with over a hundred religious, art and secular vocal music compositions, 30 piano works, arranged and composed orchestral pieces and musical solos. Presently, he has returned to the St. Dominic Savio Seminary in Akpu, Nigeria as Music Director again whilst preparing to further his studies in music to Master and Doctorate levels.



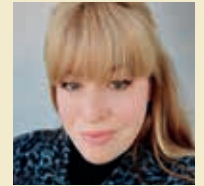
STATEMENT

"My joy rests on the fact that my humble effort has led to a gigantically bountiful harvest. I am so glad that my little song has attained a universal relevance and will cement the love and bond shared by all the peoples of the world as the song is sung as the Beacons are lit throughout the UK and the Commonwealth in celebration of The Queen's Platinum Jubilee on 2nd June 2022. I am happy that through our song, with the lyrics written by my friend Lucy Kiely, the love, peace and harmony promoted by the Commonwealth of Nations through their involvement in The Queen's Platinum Jubilee Beacons will become indelible in our minds and more real in our lives."

WINNER Lucy Kiely - Australia

BIOGRAPHY

Lucy Kiely is a 30-year-old singer songwriter from Sydney, Australia with a passion for jazz. After graduating from the University of Sydney, Lucy wrote, recorded and independently released two EPs and one LP of all original material inspired by her travels and life experiences. Lucy's releases have enjoyed worldwide exposure across a variety of platforms. These days Lucy performs regularly as a vocalist, is writing her second full-length album and is currently a semi-finalist across nine different categories in the 2021 UK Songwriting Contest.



STATEMENT

"To be selected as the winning lyricist on the unique occasion of The Queen's Platinum Jubilee is a once-in-a-lifetime honour and I extend my heartfelt congratulations to the winning composer. I am thrilled that my lyrics 'A Life Lived With Grace' will be performed by choirs and community singers as the Beacons are lit throughout the United Kingdom and the Commonwealth on 2nd June 2022, in celebration of Her Majesty The Queen's extraordinary 70-year reign."



A Song for The Commonwealth

A Life Lived with Grace



Many thanks to all the talented writers and composers from around the Commonwealth who submitted lyrics and music for The Queen's Platinum Jubilee Beacons Song for the Commonwealth Competition. We had an amazing response and received a large number of wonderful, heartfelt entries.

Bruno Peek LVO OBE OPR – Pageantmaster, The Queen's Platinum Jubilee Beacons

Alison Cox OBE – Founder and Chair of Trustees – The Commonwealth Resounds

Special congratulations to the following people:

WRITERS

Adya Rai (India), Alan Morris (UK), Amelia Moore (UK), Anjani George (India), Ann-Marie Inman (UK), Anne Jamieson (UK), Bernard Trafford (UK), Cameron Ingram (UK), Christopher Nocton (UK), Colin B Leonard (UK), David Morris (UK), David Vickers (UK), Dennis Raymond Higgins (UK), Evangeline Amoura (UK), Francis Rawlinson (UK), Henry James (Harry) Bowden (UK), Iwona Januszajtis (UK), James Peter Morris (UK), Janiel Kaez (Namibia), John Baker (UK), John Schofield (UK), Karen Litchfield (UK), Kathy Macrae (UK), Katie Spires (UK), Linda Petruzzella (UK), Lindsay Jupp (UK), Lucy Kiely (Australia), M.Khurram Hammad Khiraam Siddiqui (Pakistan), Mariam Saeed Khan (Pakistan), Marie Haswell (UK), Meenakshi Gautam Chaturvedi (India), Michael Baldwin (UK), Nektarios Diamantis (Cyprus), Nemo James (UK), Nicola Martin (UK), Robert Cranmer Bentley (UK), Rodrica Rudge (UK), Sandra Robinson (UK), Sherwood Grange Care Home Residents (UK), Simon Gadd (UK), Sonia Dixon (UK), Terry Sorfleet (UK), Thomas Newman (UK), Trevor Johnson (UK), Wanda Daszynska (UK).

COMPOSERS

Adriel Sukumar (Australia), Alec Thurbin (UK), Aliyah Ramatally (Trinidad and Tobago), Andrew Dharma (Australia), Ashley Powell (UK), Atueyi Vincent Chinemelu (Nigeria), Aurelia Walker (UK), Benji Lock (UK), Carl Simpson (UK), Carol Corns (UK), Chris Barrow (UK), Cole Lam (UK), David Hopper (UK), David Vickers (UK), Daxter Yeo (Australia), Edewede Oriwoh (Nigeria), Emmanuel Ansaeku (Ghana), Ethelbert Twumasi (Ghana), Frances Yonge (UK), Fraser Broadfoot (UK), Grahame Maclean (UK), Harry Baines (UK), Helen Furnell (UK), Innocent Okechukwu (Nigeria), John Farmer (UK), Jordan Rogers (New Zealand), Jude Mark Kaganda (Uganda), Kate Sloan (UK), Kenneth Done (UK), Khadijah Simon (Antigua and Barbuda), Lea Nixon (UK), Loretta Kay Feld (UK), Luka Disho (Botswana), Mark Waters (UK), Micheal Bakare (Nigeria), Nathanael Koh (Singapore), Patrice Ewoungouo (Cameroon), Patrick Davison (UK), Paul Whitfield (UK), Pete Duval (UK), Peter Foggitt (UK), Peter Rae (UK), River Hopkins (UK), Rob Lloyd (UK), Robert E Sprague (UK), Robert Walsh (UK), Rodrica Rudge (UK), Roger Peatman (UK), Samuel Yawson (Ghana), Santosh Ebenezer Baynes (India), Stella Fullard (UK), Stephen Joseph (UK), Stephen Olusoji (Nigeria), Steven Weyman (UK).

PARTICIPATING CHOIRS

Registered Commonwealth Choirs

Australia

Pilgrim Singers
Voices of Birralee
Royal Melbourne Philharmonic Choir
Melbourne University Choral Society
Box Hill Chorale
Adelaide Philharmonia Chorus
Macquarie Singers Inc
Black Forest Primary School
Sydney Church of England Preparatory School Chapel Choir

Bangladesh

Solo Singer

Belgium

Military Wives Choir

Botswana

Lorraine Lionheart & The AfroVoice Choir
Tuli Choir - Mashatu
Bokomo Botswana Youth Choir
Masire Serenaders Choir

Brunei

Yippy Tune Music Choir

continued overleaf.

A Song for The Commonwealth

A Life Lived with Grace

Cameroon

The Glorious Voices University of Yaounde Choir
Queen of All Hearts Choir
St. Cecilia, Cameroon
Internationalist Choir (of International Relations Institute of Cameroon)
University of Buea Choir

Canada

Climie Choir
Coastal Sound Children's Choir
Singing Smiles Choir
Westmount Choir
Carleton University Choir

Cyprus

Orphean Singers

Dominican Republic

Coro Funcionarios Choir- CHILE

Fiji

Pasifika Voices
Dolce Sounds

Ghana

Abusua Chorale-Gh
Seraphs
Melodious Chorale
PRECIOUS EWOO CHORALE-ACCRA
VOICE OF ANGEL CHOIR
Susan Owusu Chorale -SOC
BETHEL YOUTH CHOIR
In Him Is Life Chorale
Tema Youth Choir

India

The Bangalore Men
Cappella Bangalore
Fingersmith Collective India
Nidhi Kaushal
Trinity Chorale

Kenya

Blend Ensemble, Kenya (BEK)
Nairobi Chamber Chorus

Malawi

Likhubula Children's Choir

Mauritius

Island Voices
Rainbow Voices Children's Choir

Namibia

The People's Voice Africa

New Zealand

Christ Church Cathedral Choir
Jubilate Singers

Nigeria

Abuja Choral Ensemble
Ave Maria Choir Clegg
Young Voices Choir
Methodist Cathedral of Unity Abuja
The Owerri Philharmonic Ensemble
J Clef Chorale
Havilland Chorale
Abuja Choral Ensemble
Manuel Chorale Abakaliki
St Anthony Catholic Church Gbaja Surulere Lagos
RESONATE CHORAL
St. Cecilia Choir, Holy Spirit Catholic Church
LeVoci Chorale, Kaduna
JESUS DE ROCK CHOIR, KUJE ABUJA
The Trinity Chorale
Ishom Hymnal
Duet Singers
Musica Casa Chorale
VoxClan University Singers
Saint Jane Frances de Chantal Choir (Ave Maria Parish Ikate Lagos)
St Ferdinand Parish Choir, Boys' Town, Ipaja, Lagos
BellaVoce Chorale
Our Lady of Miraculous Medal choir
Amemus choir
Green Chamber Chorale
Tree Song Choir
The Image Choir

Papua New Guinea

Overflowing Hearts

Rwanda

I love you Queen Choir

Sierra Leone

Samaria West African Methodist Church Choir
Warren Memorial Methodist Church Choir

South Africa

Jozi Youth Choir
UNITED VOICES OF CHRIST MASS CHOIR
YOUNG MUSICAL HEALERS
Nelson Mandela University Chamber Choir
Zolani Youth Choir
Ihashi Elimhlophe - South African Group

St Helena

St Helena Singers and friends

Uganda

Good Samaritans' Choir Bwaise
Nakasero Primary School Choir
Kibuli Demonstration school Choir
Jesus De Rock Choir
Buganda Road Primary
Buganda Road Primary School
St. Peter's PS Nsambya Choir
Nakasero Primary School Choir
Nakasero Primary Commonwealth Choir

Zambia

Full Gospel choir
Milimo Simundole Soloist

continued overleaf.

A Song for The Commonwealth

A Life Lived with Grace

UK Choirs

Bedfordshire

New Voices of Potton
Every Voice
The Benefice Choir of Cople
Moggerhanger and Willington
Renhold Community Choir

Berkshire

Sandhurst Military Wives Choir
St Mary's Church Choir
Reading Male Voice Choir
HH United Kingdom
Gordon's School Choir
Claremont Ladies Windsor
Amersham A Cappella

Buckinghamshire

Quanton Community Choir
The Heath Singers
Dagnall C of E School

Cambridgeshire

William Law School Choir
Tyranno Chorus
Just Friends

Cornwall

Cornwall Youth Choirs
Tresillian Singers
Holman - Climax Male Voice Choir
Resurgam
Lanreath Community Choir
The Penryn Forget Me Not Singers
Saint Agnes Singers

Derbyshire

Youlgrave WI Choir
Peak Performance

Devon

Exmouth Acappella
Riviera Education Trust
VoiceWorx
Marpool Choir
Okehampton Community Singers

Dorset

Bovington Military Wives Choir
The Quayside Choir & Weymouth Choral Society
Corfe Castle Choir

Durham

Ingleby Barwick Community Choir
TBC - for Stockton-on-Tees Borough Council
Lanchester Choral Society
The Little Choir in Teesdale

East Sussex

Downland Singers
Archway Choirs
Archway Choirs
Battle Community Singers
The Uckfield Singers
Cantando
The Rother Community Choir

East Yorkshire

All For One Choir

Essex

The Great Dunmow Community Big Voices Choir
Raise Your Voice Community Choir
Battlesbridge Community choir United Kingdom
Blackmore Jubilee Choir
Treetops Song Club

Gloucestershire

Tapestry Chamber Choir
Lechlade and District Community Voices
Fairford Church Choir

Hampshire

Military Wives Choir Shorncliffe
St John's Gosport Primary School Choir
CANDOVER VALLEY CHOIR
Hampshire music service vocal ambassadors
Southsea Community Choir
Crescent Choir
West Hill Park School Choir
Newnham Notes
The Hathershaw College Choir
Spofforth Community Choir

Herefordshire

Pembridge Jubilee Choir
Capital Arts Children's Choir
Rickmansworth Players
Stevenage Ladies Choir
Chipperfield Choral Society
Preston Village Voices
North London Military Wives Choir
Chipperfield Choral Society
Gilston & Eastwick Community Choir

Ireland

St. Luke's Parish Church, Mullaglass

Isles of Scilly

Scilly Sirens

Kent

Weald
Kent Vocal Collective
Coastal Choir
Hartley Local Vocals

Lancashire

Wigan Show Choir
Wigan Children's Choir
Contempo Choir
Hambleton Village Choral Group

Leicestershire

Hinckley Choral Union

Lincolnshire

Royal Air Force Air Cadet National Choir
Spalding URC Choir
The Goxhill Singing Group
Brigg Singers
Louth Choral Society
Millstone Grit
Scunthorpe Male Voice Choir
The South Bank Singers

continued overleaf.

A Song for The Commonwealth

A Life Lived with Grace

London

Ian Friel
Queen's Gate School Commonwealth Choir
The Bach Choir
Clara Grant Primary School Choir
St Margaret's Putney Church Choir
BT London Choir
Singathon Events
7th Plaistow Guides & Brownies
Take Note singers
All Saints Notting Hill Choir
St John Fisher Choir
Newham Music Reps Choir
The Garfield Choir
The Woodford Singers

Manchester

Crompton House Choir
Denton West End Community Choir
Hopwood Primary Choir
Melodies 4 U
Thorp primary school choir
Saddleworth Singers
Saddleworth Male Voice Choir
Bright Days Silver Choir Wigan

Merseyside

G:Force Gospel Choir, Mundo Afrika, Voiceworks (all at Formby High School)
Ditton Primary School Choir
The HFCMAT Combined Choir

Midlands

Super Choir of Burnham
Woodhouse Primary Academy
Stone Choral Society
Midlands African Singers
Massed Choir of Stafford Borough Council Schools
St Ethelbert's Catholic Primary School Choir
For Girls Kimichi School choir
Voices of Sierra Leone
Bishop Vesey's Grammar School Choir

Good Company
TG Singers

Monmouthshire

Margaret Parry solo

Norfolk

King Edward VII Academy
The Gressenhall Singers
Anglia Region Theatre Scholl (ARTS)
Your Choir
African Choir of Norfolk
Norwich Phoenix Male Voice Choir
Clover Hill
Drayton CofE Junior School Choir
Norwich community choir
BroadBeat Choir
RCA Stage School and Theatre company
The Old Buckenham Singers
New Sheringham Singers
Vocalights Choir
Kenninghall Mums' Choir
Sheringham and Cromer Choral Society

Northampton

Monksmoor Park CE Primary School
Inspire Choir
Sound Sensation
Corby Male Voice Choir
NN10 Community Voices

Northern Ireland

St Macartin's Cathedral Choir (Enniskillen)

Nottinghamshire

Village Voices
Lady Bay Community Choir
Vale Voices Community Choir
Basket Singers
Ruddington Community Choir
Thorney Community Choir

Oxford

Schola Cantorum
Defence Academy Military Wives Choir

Rutland

COTTESMORE MILITARY WIVES CHOIR

Scotland

Musselburgh Clark Community
Westlochfyneside Parish Church Choir
St Mark's Oldhall Paisley
BISHOPTON PARISH CHURCH CHOIR
Leuchars Military Wives Choir
Kinloss Military Wives Choir
Cockenzie and Port Seton Community Choir
Kettle school
Catherine Horsburgh
Nankersey Male Choir
Orchardhill Parish Church Choir, Giffnock, Glasgow
Tartan Harmony
The New Wellwynd Parish Church of Scotland, Airdrie
Dunkeld Cathedral

Shropshire

Adcote School for girls
Whitchurch Community Choir
Shawbury Military Wives Choir
Donna Teague

Somerset

Butleigh Voices
Blackdown Community Choir
The People's Choir Yeovil
Taunton Choral Society
Emma Wheat
Super Choir of Highbridge

Staffordshire

Chanteuse Chamber Choir
Fradley Community Choir
The Brewood Singers
Stafford Military Wives Choir
Stoke on Trent City Music Service
Village Harmony Kings Bromley
Seighford Singers

continued overleaf.

A Song for The Commonwealth

A Life Lived with Grace

Suffolk

Felixstowe Community Choir
William Benjamin Dimond
One Song One Night
West Row Community Choir
Laxfield Community Choir
Wattisham Military Wives Choir

Surrey

St Mark's Church Choir

Sussex

SUSSEX GRUFFS MALE VOICE CHOIR
The Bersted Community Choir

Wales

Llanfair Singers
Cor Llanwnog
The Flint Ladies Choir
EE Inspire Choir
The Phoenix Choir of Wales
Gladestry community choir (tbc)
Cor Meibion y Fflint

Warwickshire

The Choir of the Collegiate Church of St Mary
Ambleside Community Choir
Moreton Morrell Village Choir

Wiltshire

Salisbury Plain Military Wives Choir
Clarendon Academy Choir
Cantanti and Cantantini
Tidworth Military Wives Choir
Warminster Military Wives Choir
Bigsingthing

Winchester

The 5678 Choir

Wolverhampton

St Mary's Catholic Primary Academy
Wulfruna Ladies Choir

Worcestershire

i-Sing Choirs
Springfield Choir
Stourport Choral

Yorkshire East

Bishop Burton Village Choir
Hull Ladies Chour
North Ferriby Ladies Choir

Yorkshire North

Cromer Gospel choir
Riccall Community Choir
Sheringham Salvation Army Songsters
Harrogate Ladies' College Choirs
Birstwith C E primary school
Terrington Village Choir
The Dalesmen Singers
Street Signs, Scarborough (a signing choir)
Castleton Singing For Pleasure Ladies Choir
Village Voices Killinghall

Yorkshire South

The Noisy Children's Choir

Yorkshire West

Almondbury Ladies Choir
St. Mary's, Haynes
Cockburn MAT Choir
Cleckheaton Community Choir
Honley Ladies Choir
Dalton School
ST John's College Choir



How to take part and beacon lighting ceremony

How to take part

Step 1: To confirm your involvement and make important communication as easy as possible please register your involvement, providing the information below, direct to brunopeek@mac.com as soon as possible please, but **no later than 1st June 2022.**

If your event is a private occasion and NOT open to the public, and you do not want your involvement shown on any public or media listing, it is important that you confirm this when providing information. Your participation will still be noted as part of this historic occasion but NOT made public. However, if your event IS open to the public, your contact details will be shared with the media so that they can contact you direct to arrange any publicity and/or coverage of your event.

Name and Job Title of Contact/Coordinator
Name of Council or Organisation
Name of Piper, if applicable
Name of Bugler or Cornet Player, if applicable
Name of Town Crier, if applicable
Name and location of Choir to be registered direct to:
www.commonwealthresounds.com
Postal address including county and postcode
Name of capital city - Commonwealth countries only
Country - ie England, Wales, Scotland, Northern Ireland, Channel Islands, Isle of Man, UK Overseas Territory, Commonwealth Country
Telephone number - landline
Mobile number
Email address
Beacon location
For Fantastic Fireworks please **click**

Public or private event

Ensure you have undertaken all the legal essentials and safety requirements on **page 27** before lighting your beacon. Alert the emergency services, including the Fire Brigade, undertake any risk assessments required and ensure everyone involved is happy and familiar with your plans. (This is your responsibility as coordinator).

In the event of dry weather, high winds and a heightened wildfire risk on the day of the event, please carefully consider scaling back initial plans where appropriate.

Beacon lighting ceremony - 2nd June 2022

Please light your Beacon at 9.45pm.

The Beacon lighting ceremony should be undertaken as follows:

Step 2: Invite your Lord Lieutenant, Deputy Lieutenant, Lord Mayor, High Sheriff, High Steward, Lord Provost, Chairman or Leader of the Council to light your beacon at **9.45pm**. Alternatively, you may like to organise a competition in partnership with your local media, with the winner having the honour of lighting the beacon.

Step 3: You might consider having professional photographs taken during your event. Immediately after, please send no more than two high quality, copyright-free photographs to brunopeek@mac.com, including the name of the photographer, the beacon location, county, country and postcode, along with the name of the council or organisation.

Step 4: If appropriate, use social media channels - Twitter, Facebook etc - to promote your event. On Facebook, post photographs of your beacon lighting ceremony.

Step 5: Publicise your event. We will provide you with a Press Release template which you can localise, providing as much information as you wish regarding your event, but including your contact details. You can send this to your local media to enable them to get in touch with you direct.



Gas fuelled beacon, East Antrim, Northern Ireland.



Bonfire beacon, Killyleagh, County Down, Northern Ireland.



Wood fuelled beacon brazier, Hilton, Derbyshire, England.

Platinum Jubilee Gas-Fuelled Beacon

Bullfinch Gas Equipment



Gas-fuelled Beacon on a Church Tower.

The beacon's burner-head is in the shape of a globe, representing the countries of the Commonwealth, surrounded by a Crown. It is of lightweight construction and comes assembled and complete, with the exception of the gas cylinders, which must be purchased separately. One 47kg propane cylinder or 2 x 19kg cylinders are recommended to give a full flame for a good three quarters of an hour.

These cylinders can be purchased from Flogas Britain who have been supplying Liquefied Petroleum Gas for over 35 years. They have the largest national delivery network in the UK, and hold the Carbon Trust Standard and Royal Warrant. Contact them as soon as possible to avoid delays or

disappointment. Phone: **0800 574 574** or contact them via their website: www.flogas.co.uk. For their propane safety data sheet go to <https://www.flogas.co.uk/app/uploads/2-0-propane-cylinder-safety-sheet-v2-1-1.pdf>. The Gas Torch needed to light your beacon safely requires a 400g cylinder of propane with CGA600 fitting - Bullfinch No 1644 or Rothenberger or equivalent. Travis Perkins, Screwfix, Plumb Centers and some DIY stores should have these as stock items, or search online.

The Platinum Jubilee Gas-Fuelled Beacon Package contains:

- Burner unit with Crown & Platinum Jubilee insignia
- 2m high stand
- Ground anchor and rope for fixing the stand to the ground
- 10m hose with the regulator for connecting to the gas
- Gas torch for lighting
- Spanner
- Leak detecting fluid
- Hose assembly and Y manifold to link 2 cylinders
- Lighting and safety instructions

The above items are packed into 2 strong cartons. The tripod describes a circle area of about 1.32m diameter and the beacon has an extended height of about 2.15m.

The beacon is stable in the wind. It is supplied with a ground anchor and rope for securing to the ground if this is possible, or we would recommend the use of sandbags. Full instructions are

provided for this. The beacon must be supervised by two people at all times when lit and a fire extinguisher must always be available. It is important that supervision should be undertaken by those who are competent and it is essential that a lighting trial takes place before the event to ensure that everyone is fully trained and familiar with the operation. The price of a gas-fuelled Platinum Jubilee Beacon is £490 plus VAT, including carriage to your door within UK mainland (Highlands and Islands excluded). There will be an extra charge for other areas.

Some of the benefits of this style of beacon are that it can be seen for miles once lit, is suitable for all manner of high and low locations, is easily collapsible and once used can be stored away for later use.

To order your beacon please contact:
Bullfinch Gas Equipment,
Kings Road, Tyseley,
Birmingham, B11 2AJ.
Tel: 0121 765 2000
Fax: 0121 707 0995
Email: sales@bullfinch-gas.co.uk
Web: www.bullfinch-gas.co.uk

Payment by cheque, BACS transfer, or Credit/Debit Card.

Last date to order to guarantee delivery by 29th May is 18th April 2022. However please enquire after this date for availability.



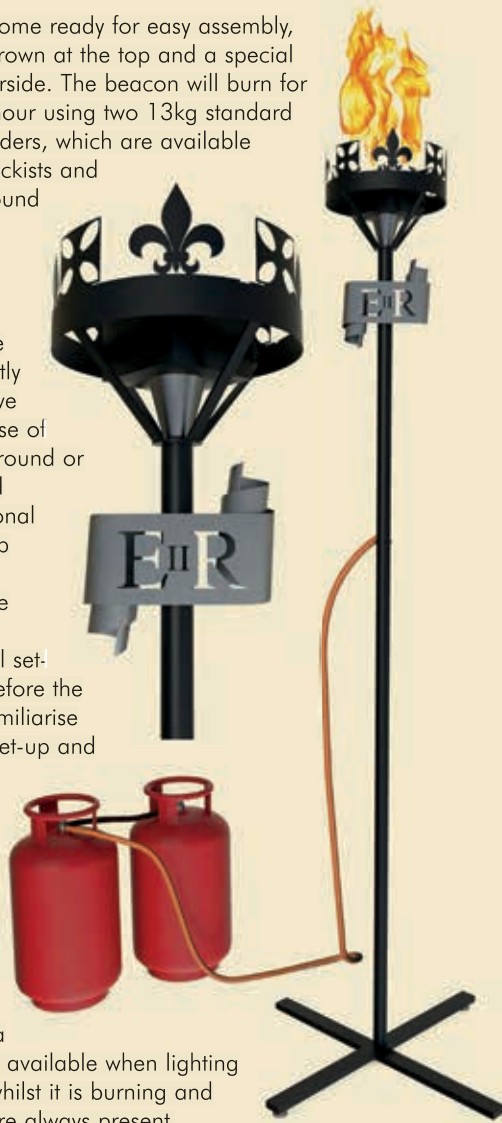
Photographs: Andrew Williams - Bullfinch Gas Equipment.



Platinum Jubilee Gas-Fuelled Beacon

21CC Group Ltd

The beacon will come ready for easy assembly, designed with a crown at the top and a special date plaque underside. The beacon will burn for approximately 1 hour using two 13kg standard propane gas cylinders, which are available from most gas stockists and petrol stations around the UK. The gas assembly is easily connected to the burner by a quick release fitting. The beacon is inherently stable; however, we recommend the use of anchors on soft ground or sandbags on hard ground for additional stability. Full set-up instructions are included within the pack and we recommend a trial set-up and lighting before the actual event to familiarise yourself with the set-up and operation. We have included two long-reach lighting sticks so that you can practice lighting the beacon in advance. We would also recommend that a fire extinguisher is available when lighting the beacon and whilst it is burning and that two people are always present.



The Platinum Jubilee Beacon package contains:

- Assembly, lighting and safety instructions
- 2m high stand and burner
- 10m hose with the regulator for connecting to the gas
- Two long-reach lighting sticks
- Spanner and leak detection fluid
- Hose and Y splitter manifold to link 2 cylinders
- No additional connections required - all you need is in the box

Beacon Price:

The price of our beacon is £490 + vat, including carriage within the UK mainland. An additional charge may be applied for other areas.

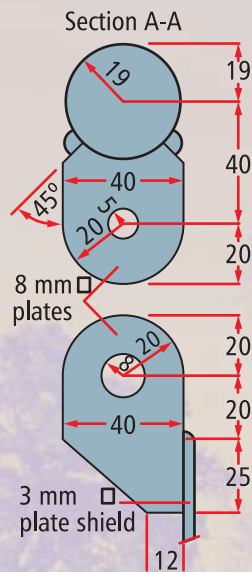
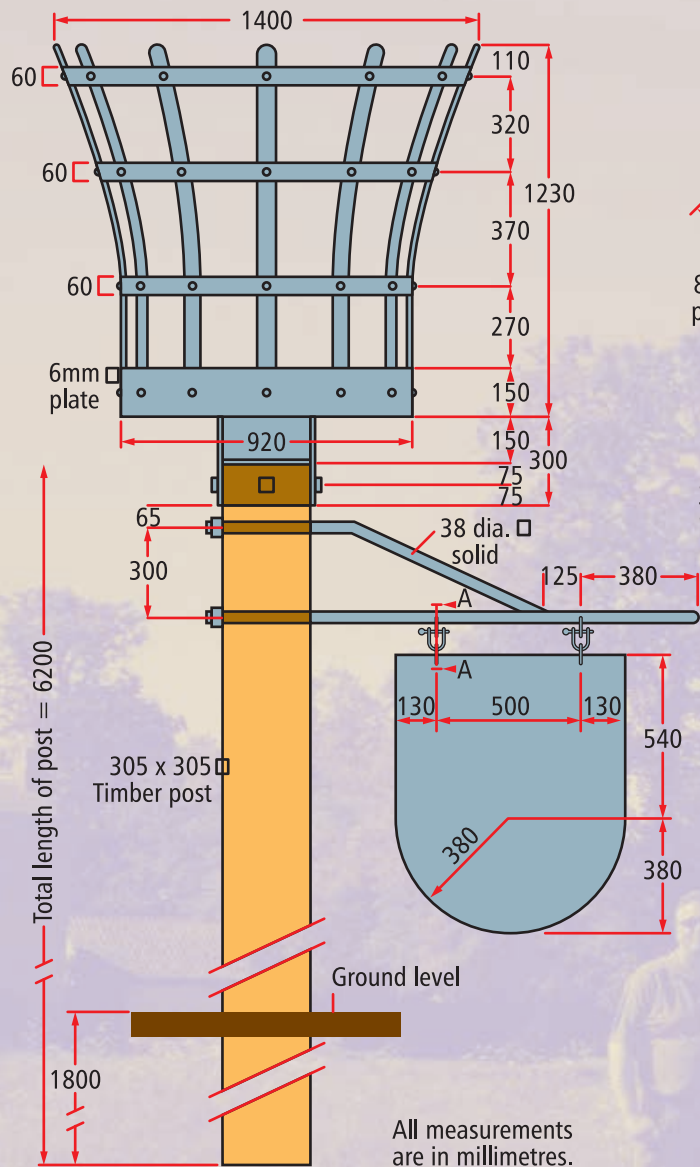
Ordering & Payment

To order your Platinum Jubilee beacon, please contact 21CC Group Ltd by phone; **0131 331 4509** or email our beacon team on beacons@21ccgroup.com. Additional information can be found on our website at www.21ccgroup.com/beacons. Payment can be made in all the usual ways including BACS, cheque and credit/debit card. Orders received before **29th April 2022** will be delivered by 31st May 2022. All orders after 29th April 2022 will be taken on a case by case basis and subject to stock availability.



The lighting of a gas-fuelled beacon at Edinburgh Castle, Scotland in celebration of Her Majesty The Queen's Diamond Jubilee in June 2012.

The Queen's Platinum Jubilee Beacon Brazier



Beacon Brazier with Metal Shield

A beacon brazier will provide a permanent reminder of this unique moment in The Queen's reign. It can be built by local craftsmen and women, and may be used for future historic occasions in your community. It could be sited in a country park, on a hilltop overlooking the sea or a lake, in the centre of your town or village, and could become a tourist attraction for your area.

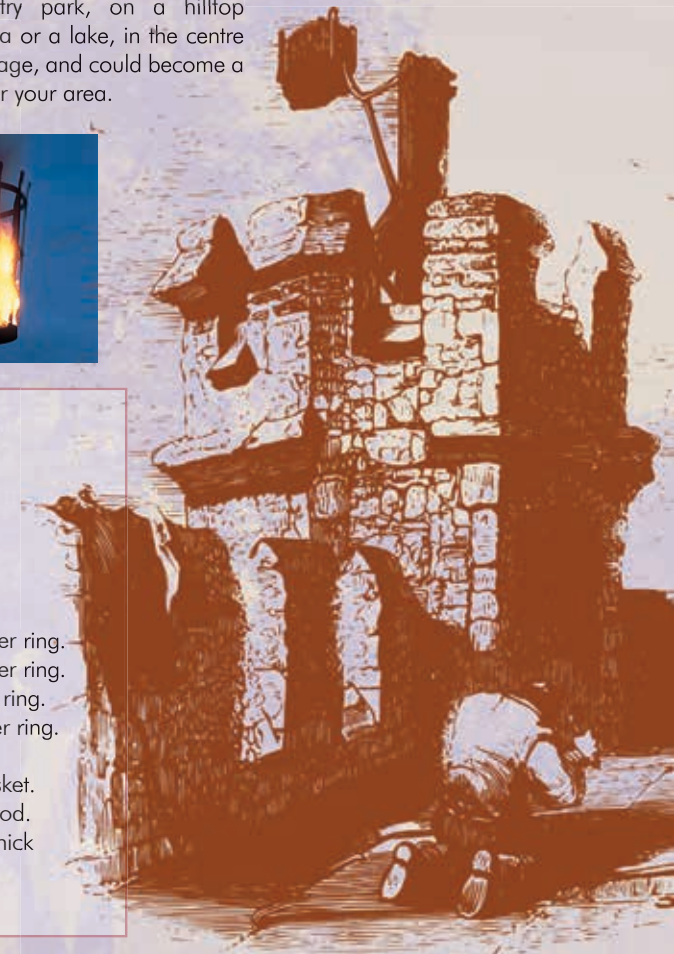


Materials Required for Beacon Construction

Wooden centre post consisting of 305mm x 305mm wooden post, 6.25 metres in length of which 2 metres goes into the ground.

Basket and fixing brackets consisting of:

- 1 x 920mm diameter steel plate.
- 1 x 4,178mm long 60mm x 5mm steel flat bar rolled into 1,330mm diameter ring.
- 1 x 3,455mm long 60mm x 5mm steel flat bar rolled into 1,100mm diameter ring.
- 1 x 2,985mm long 60mm x 5mm steel flat bar rolled into 950mm diameter ring.
- 1 x 2,922mm long 150mm x 5mm steel flat bar rolled into 930mm diameter ring.
- 12 x (approx 1,250mm long) 60mm x 5mm vertical bars (rolled to shape).
- 1 x 310mm x 310mm x 300mm high connection box welded to base of basket.
- 1 x hanging shield and support: 3.7m length of 38mm diameter solid steel rod.
- 1 x 920mm x 760mm steel plate 3mm thick 4 x connection brackets 8mm thick (see detailed drawings left).
- 2 x pins and loops.



Bonfire Beacon

Locate the bonfire at least 60m away from buildings, roads, railways and public rights of way, and a safe distance from dangerous materials and overhead power lines. Ensure it has good access for the transportation of materials for the bonfire and sufficient space for spectators to stand upwind.

Obtain the landowner's permission and involvement.

Liaise with your local fire brigade and all emergency services in your area, presenting them with your plans, and seek their advice and support.

1 Prepare site by removing top layer of turf and stack away from fire area. Obtain seven poles, 5-6m in length. Attach four guy ropes to top of one pole and anchor as shown.

2 Erect remaining poles as shown, ensuring tops are secured in place.

3 Use either pallets or suitable lengths of timber, spreading them over ground area of beacon for a good through draught. Secure timber horizontally between poles as shown, preventing material placed over the framework from dropping through. Construct access tunnel to the middle of the beacon. Keep middle empty

until required. Always construct the bonfire so it collapses inwards as it burns.

4 Use only wood for combustible materials. Do not burn dangerous items such as foam-filled furniture, old tyres, aerosols or tins of paint. Build upwards until height of centre pole is reached. Materials around top should be loosely packed to allow air flow. Cover bonfire to keep it dry.

5 Fill centre with suitable, dry combustible materials. Check construction is stable and remove any unsuitable materials that may have been added. Look specifically for fireworks, aerosols, highly inflammable materials or containers with such materials.

6 Construct a safety barrier out of ropes and stakes or scaffold poles to ensure public is kept at a safe distance from the fire.

7 *In daylight, and for several hours, and up to lighting, check that there are no children or animals, such as hedgehogs etc playing or hiding in or round the bonfire. Arrange for at least 12 marshals to be in attendance, and undertake a sufficient safety briefing before lighting the beacon.*

8 The person looking after the fire should not wear lightweight clothing that could

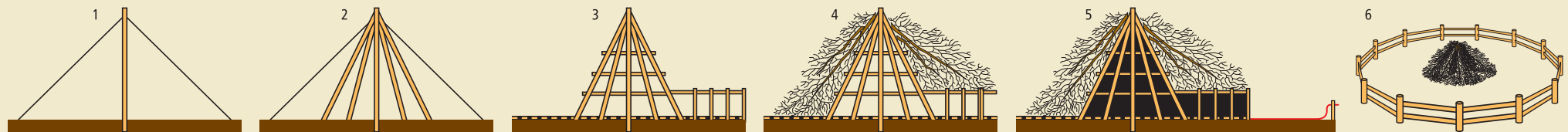
ignite easily. They should wear a substantial outer garment of wool, or other material of low flammability, and stout boots. They should know what to do in the event of a burn injury, or a person's clothing catching fire, and should have a fire blanket ready in the bonfire area along with a number of fire extinguishers.

9 Lighting: the safest and recommended approach is to use paper and solid firelighters in six places just inside the walls of the beacon to ensure an even burn. Never use flammable liquids such as paraffin or petrol to get it going as this can result in uncontrolled spread of fire or explosion.

10 To light the beacon: from poles 2m in length, prepare hand torches for lighting with paraffin-soaked rags wired around one end. Remember, paraffin is dangerous and great care should be taken. Paraffin can be used as directed, but it is still dangerous and should at all times be treated with great care - for example, always ensure all excess paraffin is drained off rags before use. If spilt on your clothes during the preparation of your beacon lighting you should replace those items of clothing before approaching any naked flames. In particular, always remember to replace the lid on any container of unused paraffin and store it in a safe place away from naked flames. Do not use an accelerant on the fire itself.



Bonfire Beacon, Shipston-on-Stour, Warwickshire, England. In memory of Fred Gardner and Sid Peachey. Photograph by Rob Hadley.



▲ After the event, extinguish fire and collect remaining debris. ▲ Dig over site and re-lay turf. ▲ Leave site clean and tidy.

Bishops Frome Strawman

How to build your Strawman Beacon

Obtain the landowners's permission and involvement then ensure you locate your Bishops Frome Strawman at least 60m away from buildings, roads, railways and public rights of way, and a safe distance from dangerous materials and overhead power lines. Ensure it has good access for the transportation of materials for the bonfire and sufficient space for spectators to stand upwind.

Liaise with your local fire brigade and all emergency services in your area, presenting them with your plans, and seek their advice and support. In the event of dry weather, high winds and a heightened wildfire risk on the day of the event, please carefully consider scaling back initial plans where appropriate.

- 1 Prepare site by removing top layer of turf and stack away from fire area.
- 2 Use only wood and straw for combustible materials and wrap steel banding around them all to hold the bales together while burning to stop them from falling away. Please dispose of the bands responsibly after the event.
- 3 Construct a safety barrier out of ropes and stakes or scaffold poles to ensure public is kept at a safe distance from the fire.
- 4 In daylight, and for several hours, and up to lighting, check that there are no children or animals playing or hiding in or round the Strawman. Arrange for at least 12 marshals to be in attendance, and undertake a sufficient safety briefing before lighting the Strawman.

5 The person looking after the fire should not wear lightweight clothing that could ignite easily. They should wear a substantial outer garment of wool, or other material of low flammability, and stout boots. They should know what to do in the event of a burn injury, or a person's clothing catching fire, and should have a fire blanket ready in the Strawman area along with a number of fire extinguishers.

6 Lighting: the safest and recommended approach is to use paper and solid firelighters in six places just inside the walls of the Bishops Frome Strawman to ensure an even burn. Never use flammable liquids such as paraffin or petrol to get it going as this can result in uncontrolled spread of fire or explosion.

7 To light the Strawman: from poles 2m in length, prepare hand torches for lighting with paraffin-soaked rags wired around one end. Remember, paraffin is dangerous and great care should be taken. Paraffin can be used as directed, but it is still dangerous and should at all times be treated with great care - for example, always ensure all excess paraffin is drained off rags before use. If spilt on your clothes during the preparation of your Strawman lighting you should replace those items of clothing before approaching any naked flames. In particular, always remember to replace the lid on any container of unused paraffin and store it in a safe place away from naked flames. Do not use an accelerant on the fire itself.





Above and background: The Tower of London built by William the Conqueror in the early 1080s. Through the centuries, successive monarchs have added to the fortifications.

If you are inviting personal guests to your home it is worth checking with your household insurer that you are covered in the unfortunate circumstances that there should be an accident. If your event includes inviting the public, or it is a third party venue then, where applicable, the following advice should be heeded, to ensure you have a safe and enjoyable event for everyone involved.

Licensing

Generally, all public entertainment has to be licensed by the local authority. The law on this aims to ensure the safety of the public and performers. Local authorities treat each event individually, and what one will allow another will not. Do not be put off by the length of some of the forms - the licensing officer is there to help you.

The licensing officer's job is to advise the local authority's licensing committee on the granting of public entertainment licenses. For small scale events he or she, in effect, makes the decision. Only if your event is contentious will the licensing committee decide to consider the application in detail. Talk to the licensing officer as soon as possible. In Northern Ireland, if you plan to sell alcohol at an event, you will need to apply for an occasional liquor license from the Northern Ireland Court Service.

Insurance

Unfortunately, accidents can happen at even the best organised events. Therefore, you will need to consider and obtain insurance cover for your event, whether you are holding an event on your own premises or someone else's. beacon/bonfire events require specialist public liability cover. If you hire a park or venue or use land owned by a third party for your activity, they are likely to require you to have your own suitable insurance to cover your liability for any injury to the public or damage to other people's land or property.

Legal Essentials and Safety

If hiring equipment for the event, you may need to insure these items; you may also need to consider cover for loss of any financial outlay you incur if the event has to be cancelled for reasons beyond your control, or loss of money, particularly if you are holding a fund-raising event. Therefore, to help you obtain the appropriate insurance, and risk management advice, we are working closely with Unity Insurance Services, which is a specialist insurance broker in the voluntary and non-profit sector.

They have developed a range of bespoke insurance covers specifically for the Beacon/Bonfire events. Unity is owned by a charity and donates all its profits back to charity, so to obtain a quote or for more details or advice on the insurance cover you may need, please visit Unity's website or telephone them on 0345 040 7702.



Alternatively, the licensing officer may be able to direct you to a suitable specialist company or broker, but you should not try to source this kind of insurance from a non-specialist.



Emergency Services

Tell your local Fire and Rescue Service and Police Force well in advance about the type of event you are planning, and get in touch with your local community police officer. Ensure that access for emergency services is maintained for your event. Write to the local fire brigade and ambulance service, particularly if you are planning to have a beacon/bonfire, fireworks, or an event that will attract a large crowd. St John's Ambulance and the British Red Cross will provide first aid and sometimes a vehicle. In some areas they are simply happy to receive a donation. In others, expect a fee to be charged.



Food and Drink

Basic food hygiene guidelines should be followed at all times if you are providing food and drink. Caterers must have food hygiene certificates. Advice on this subject can be obtained from your local council environmental officer.



Alcohol

If you want to sell alcohol you will need to secure a licence. From February 2005, licenses are granted by the local authority rather than the Magistrates Court. You should therefore contact your local authority licensing section and seek information from them on how to apply. During 2005 all existing licenses have to be renewed and this will inevitably lead to long lead-in-times. Please apply as early as possible.



Site Clearance

The local authority will arrange for clearance and disposal of litter after your event if it is on public ground (check for possible charges). You can help this process by arranging litter bins or recycling bins around the site, and a crew to clear up throughout the event.



Hiring or Borrowing Equipment

Your local authorities, or local event organisers may be able to help you with contacts for supplies such as marquees, portable toilets, barriers and bunting, or may in some cases have these for you to hire and borrow. You may also need to consider generators, a public address system, and emergency flood lighting. If you need to arrange insurance for your hired equipment, Unity Insurance Services can arrange this for you too.



All Ability Access

Access for people with a disability is very important. Many local authorities run community transport schemes. Talk to them about arranging transport. On greenfield sites, access may be improved by cutting the grass before the event.



THE QUEEN'S PLATINUM JUBILEE BEACON TRAIL

5TH MAY - 2ND JUNE 2022

If your location is lighting a beacon anywhere in the world we also encourage you to take part in this specially designed augmented reality trail that will create buzz and awareness in the four-week run up to the lighting on the 2nd of June. The Queen's Platinum Jubilee Beacon Trail will take families on a free, whistlestop tour of Her Majesty's 70 years of service.

Families and friends in locations taking part will be able to visit seven venues around their village, town or city centre, learning about a different decade in The Queen's reign at each one. Players will learn about The Queen's part in modern history as well as engaging in a fun story with characters like Sir Barnaby Beacon. Along the trail they'll meet him and his friends from Buckingham Palace, and they'll be able see and interact with them in augmented reality.



An example trail vinyl - actual printed vinyls may vary

How It Works for Players

To take part is very simple, players don't need to download an app or even register beforehand.



Step 1

Players go online to find the trail map and visit the venues in their location, in any order.



Step 3

A digital stamp will automatically pop up on their phone's browser and tell them about that decade in The Queen's reign.

Step 4

Players can then choose to see the character in AR. This means that the character will appear life-sized in the player's environment, leading to perfect selfie opportunities and yelps of joy from children!



Step 5

Once players have collected all seven of the digital stamps, they will be given information about where and when their local beacon will be lit, and encouraged to share this with their friends and family.

How it Works for Hosts

What We Do:

- Provide all the window vinyl artworks with QR codes
- Set up your trail on the collection platform and create your digital map
- Show your trail on a central bespoke website



See me in AR >>
Scan here from a smartphone

Step 2

When they visit a venue they simply find the window vinyl and scan its unique QR code.



Cost

You can bring the trail to your location for four weeks for just £499, which includes the full artwork pack (delivered worldwide) and all digital setup and assets. This means that even if you also need to purchase one of the gas beacons, the whole event would cost under £1,000.

How to Take Part

We advise hosts to sign up as soon as possible to give adequate pre-marketing time but the deadline for applications is 7th April 2022.

To see more or to sign up as a host, please visit High Street Safari's website highstreetsafari.com/jubilee or contact the project director, Stephen Blackwell, at info@highstreetsafari.com

- Run a large scale marketing campaign
- Give you a Marketing Toolkit, specially developed for the trail
- Send you a final report on user analytics

What You Do:

- Decide where you want to put up the seven trail vinyls within your area
- Give us the list so we can create your map
- Promote the event locally using the Marketing Toolkit



The Queen's Platinum Jubilee Beacon Tart

Ingredients representing all 4 nations of the UK

England: Cheddar Cheese Northern Ireland: Potatoes

Scotland: Smoked Salmon Wales: Leek

Average cost of ingredients per tart, between £3.75 & £5.00

The following quantities will serve TEN people.

Pastry

140 g (5 oz) plain flour

35 g (1 ¼ oz) margarine

35 g (1 ¼ oz) vegetable fat

About 1 ½ tablespoons cold water

Or use ready-made shortcrust pastry

* 20 cm (8") loose-bottom flan tin

* baking beans

Filling

100 g (4 oz) Smoked salmon (trimmings or chopped small)

50 g (2 oz) leek

100g (4 oz) cooked potatoes

70g (2 ¾ oz) Cheddar cheese (grated)

200 ml (7 fl oz) single cream

2 large eggs (beaten)

1 tablespoon fresh chopped parsley

Black pepper

Butter or oil

1. To make pastry - place flour in bowl add the fats and rub in lightly with fingertips until mixture resembles fine breadcrumbs. Add enough cold water to bind to a soft dough, knead briefly and shape in to a ball. Wrap and chill for 30 minutes.
2. Roll out the pastry and use to line the flan tin. Prick the bottom of the pastry with a fork. Line pastry shell with foil and fill with baking beans. Place tin on a heated baking tray and bake in preheated oven at 200°C Fan (Gas 7) for 10 minutes, remove foil and baking beans, return to the oven for a further 10 minutes.
3. Reduce oven temperature to 160°C Fan (Gas 4)
4. Scrub potatoes and place in a pan of lightly salted boiling water to cook for 15 minutes. Drain and allow to cool before removing the skin and then slicing thinly.



5. Finely chop leek. Heat a little butter or oil in a small frying pan, add chopped leek to the pan and cook over a low to moderate heat, stirring occasionally, for about 10 minutes until soft but not coloured - allow to cool.
6. Mix together cream, beaten eggs, chopped parsley and plenty of ground black pepper. Layer filling in pastry case; spread smoked salmon over base of tart followed by cooked leek and then 50 g (2 oz) grated cheese (keeping remaining 20g (¾ oz) to sprinkle on top). Top with thinly sliced cooked potatoes. Sprinkle remaining grated cheese over the top then gently pour cream and egg mixture in to the tart.
7. Bake in oven for 30 - 35 minutes until filling is set and golden. Serve cold.

NB These quantities also make 18 small tarts using 8cm (3 ¼") plain round cutter and lining patty tins. When making small tarts there is no need to blind bake the cases first. Bake small tarts at 160°C Fan (Gas 4) for about 30 minutes until filling is set and golden.

Guide to serving

A construction of seven Platinum Jubilee Beacon Tarts as shown below will serve 70 guests.

Each tart represents a Decade of Her Majesty's reign.

Each slice represents a Year of Her Majesty's reign.

You will need: 7 x 8" freshly made Platinum Jubilee Beacon Tarts as per recipe

7 x 8" x 0.5" silver (platinum) cake boards

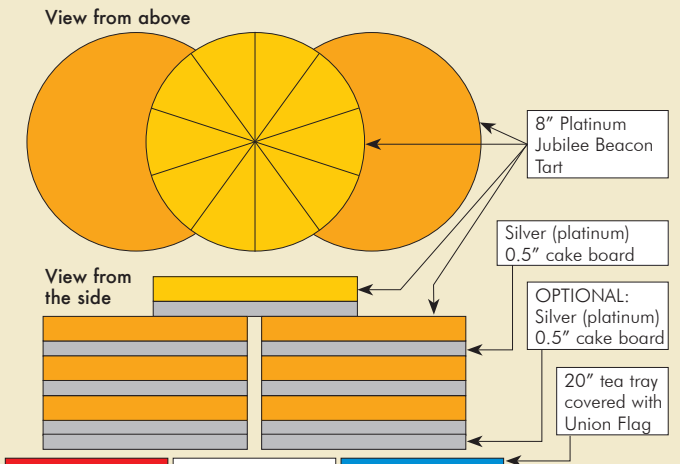
1 x 20" tea tray

2 or 3 x Union Flag napkins

Optional: 2 additional silver (platinum) cake boards if greater elevation is required

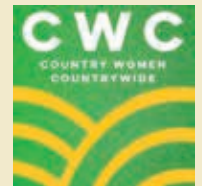
Additional napkins to hand to guests with their slice of tart

Create two stacks of 3 x 8" tarts, each on a silver (platinum) cake board, and place side by side on a 20" rectangular tray covered with Union Flag napkins. Place a further tart centrally on top (7 tarts in total).



The above produces a 6" high stack of tarts. If further elevation is needed an additional cake board could be placed under each stack of 3 tarts.

Once the top tart has been ceremonially cut, remove it from the stack and set to one side to cut into ten slices. This will avoid crushing the tarts underneath. Carry out the same process for each subsequent tart, remembering to remove each one from the stack before cutting into ten. The slices can then be handed round to guests from their individual boards accompanied by napkins if desired.



The Queen's Platinum Jubilee Beacons Acknowledgements

**In recognition for their generous support in funding the design of this publication
Caravan and Motorhome Club**

**(THE LIST OF SUPPORTERS, ORGANISATIONS AND PARTICIPANTS IN ALL ACTIVITIES,
WILL BE UPDATED AT THE END OF EACH CALENDAR MONTH UNTIL 1ST JUNE 2022)**



The Association of Lord Lieutenants, Colonel Edward Bolitho OBE, Lady Dannatt MBE, High Sheriffs' Association of England and Wales, National Association of Civic Officers, Ministry of Housing, Communities & Local Government, Michael Muskett MBE, Walking With The Wounded, HM Tower of London, Sandringham Estate, The Crown Estates, Cardiff Council, Royal Borough of Windsor & Maidenhead, The Commonwealth Resounds, Sea Cadets, Army Cadet Force, Dyfed & Glamorgan Army Cadet Force, The National Cadet Corps (Accra, Ghana), Cyprus Army Cadet Force (Nicosia, Cyprus), The Royal Canadian Army Cadets (Ottawa, Canada), The Australian Army Cadets (Canberra, Australia), Air Training Corps, Backstage Technologie Europe Ltd, Night Train Productions Ltd, Huntingdon Town Council, Flogas Britain, Bullfinch Gas Equipment, English Heritage, Unity Insurance Services, Ottewill Silversmiths & Jewellers Ltd, The High Sheriff Magazine, One Voice Wales, Solace in Business, The Royal Agricultural Benevolent Institution (RABI), Local Government Association, National Farmers Union (NFU), Historic Houses, Country Land & Business Association, Isle of Wight Council, Isle of Man Government, States of Guernsey, Islands of Herm and Jethou, Council of the Isles of Scilly, Arundel Castle, Potters Leisure Resort, Norfolk Tank Museum, Oscar Research Ltd, States of Alderney, Isle of Sark Government, Unst Community Council, Tan Hill Inn, St Davids City Council, Ceremonial News, Piper Lady Jane MacRae, Piper Stuart Liddell and Piper Robert Procter, The Royal Institute of Chartered Surveyors (RICS), SLCC For Local Council Professionals, Studioeast Ltd, Great Yarmouth Borough Council, Ministry of Defence (MOD), The Ancient & Honourable Guild of Town Criers, Mr John Singer, Sir Peter Ogden, RSABI – Supporting People in Scottish Agriculture, Malvern Hills Trust/Conservators, Peter Taunton – Town Crier, The Hadrian's Wall Partnership – Lady Jane Gibson, Undeb Amaethwyr – Farmers' Union of Wales, Scottish Land & Estates, National Federation of Young Farmers' Clubs, Parish of Lanteglos & Village of Polruan, Benedict Heyes, Councillor Carl Smith, SLCC For Local Council Professionals, NFU Scotland, Brampton Parish Council, Roger Clegg – Photographer, Balmoral Estate, Edinburgh Castle, Hillsborough Castle, Highclere Castle, Inveraray Castle, Alnwick Estate, Wellington Estate, Holkham Hall, Belvoir Castle, Arundel Castle, Hatfield House, Blenheim Palace, Badminton Estate, Woburn Abbey, Floors Castle, Caledon Castle, Houghton Hall, Cholmondeley Castle, Chatsworth Estate, Bolton Abbey, Buccleuch Estate, Studio East Ltd, National Association of Local Councils, Society of Local Council Clerks, Government of Jersey, Land's End, Cornwall, Selwyn Johnstone, Northumberland County Council, Peter Taunton, Town Crier for Newport and Stafford, TMS Media Ltd, Northumberland County Council, National Farmers Union of Scotland, Country Women Countrywide, National Coastwatch Institution, Coastwatch Scotland – Irvine Unit, Piper Finlay MacDonald, Sir Brian and Lady Ivory DL – the National Piping Centre, the Corporation of Trinity House, Coastwatch Scotland – St Monans Station, Coastwatch Scotland - Irvine Station, Chiddingfold Bonfire Association, Battel Bonfire Boyes, Burgess Hill Bonfire Society, Cymdeithas Llwodraeth Leol Cymru/Welsh Local Government Association, The Royal Observer Corps, Commercial Square Bonfire Society, Northumbrian Pipers' Society, The Royal Scottish Pipe Band Association, Maiden Bradley Parish Council, The Royal Scottish Pipers' Society, The Royal Celtic Society, Beverley Town Council, British Tourist Authority (BTA), VisitBritain, Silton Parish Meeting, Lincolnshire County Council.

His Grace The Duke of Norfolk, His Grace The Duke of Rutland, His Grace The Duke of Bedford, His Grace The Duke of Argyll, His Grace The Duke of Roxburgh, His Grace The Duke of Northumberland, His Grace The Duke of Wellington, His Grace The Earl of Leicester, His Grace The Earl of Carnarvon, His Grace The Duke of Beaufort, His Grace The Duke of Marlborough, His Grace The Earl of Caledon, His Grace The Duke of Devonshire, His Grace The Duke of Buccleuch, Lord Salisbury, Lord Cholmondeley, His Grace The Duke of Fife, His Grace The Duke of Somerset, Viscount Brookeborough KG KstJ, HM Lord-Lieutenant of Co. Fermanagh. His Grace The Duke of Westminster. Viscount Boyne.

(more acknowledgements to follow)

Acknowledgements



A SONG FOR THE COMMONWEALTH

The Rt Hon Patricia Scotland QC, Secretary-General of the Commonwealth
Bruno Peek LVO OBE OPR, Pageantmaster, The Queen's Platinum Jubilee Beacons
Alison Cox OBE FRSA, Founder and Chairman, The Commonwealth Resounds
Jane Hunt, Marketing and Publicity Manager, The Commonwealth Resounds
Sally-Ann Whitty, Administration Manager, The Commonwealth Resounds
Judith Weir CBE, Master of The Queen's Music and President, Royal Society of Musicians
Stephen Miles, administration and logistics management
Peter Banks – Website Consultant, Commonwealth Resounds
Colin Eade GISC Member Services – The Guild of International Songwriters and Composers
Greater Manchester Music Hub – Alison Home, Assistant Head of Wigan Music Service (Vocal)
Graham Trew MVO M.Mus, FRSA
The Composers' Society of Singapore
The African Composers' Platform
Graham Dinnage GTCL (Hons) LTCL LGSM – Choral Consultant and Mentor
Martin Coakley – Trustee and Legal Consultant for The Commonwealth Resounds
Joaquim Badia BMus (Hons), MMus - Arrangements and Consultant, A Song for the Commonwealth
Tom Bell - Audio Technician, A Song for the Commonwealth
Elisha Jade Thomas - Soprano - Official Recording, A Song for the Commonwealth
Charlotte Potter - Soprano - Official Recording, A Song for the Commonwealth
Leyla Ruby - Soprano - Official Recording, A Song for the Commonwealth
Clare Sutherland - Alto - Official Recording, A Song for the Commonwealth
Nwosu Stephen Chidiebere - Tenor - Official Recording, A Song for the Commonwealth
Toby Hession - Bass - Official Recording, A Song for the Commonwealth
Patrick Owston - Bass - Official Recording, A Song for the Commonwealth
Robert Lewis MA (Oxon) - Accompanist and Consultant - Official Solo Recording, A Song for the Commonwealth
Gabriel Taylor - popular/jazz arrangement, A Song for the Commonwealth
Gill Jones - Ambassador for Choral Recruitment (African Countries) The Commonwealth Resounds
Sanchia Goonewardene - Rotarian Ambassador For Commonwealth Choirs
MPhil - Ambassador for Choral Recruitment (International)
Kostas Stylios - Ambassador for Choral Recruitment in the European Countries
Ryan Hunt - Leader of Vocal and Choral Development, Bolton Music Service
Jill Henderson-Wild - Vocal Animateur, Stockport Music Service
Gill Jones - Ambassador for Commonwealth Choir Recruitment

Acknowledgements

Kay Coster - Consultant for Marketing and Promotion of Commonwealth Chords
Emma Hitchcock - Assistant Ambassador for Commonwealth Choir Recruitment
Greg Beardsell MMus - Conductor
Gregory Porter, Twice Grammy Award, singer, songwriter.
Heather Taylor, RedFireMusic
Shirley Pinder, BT
London Community Gospel Choir
Royal Albert Hall

Commonwealth Resounds are thrilled and extremely grateful to The National Lottery Community Fund, the largest funder of community activity in the UK, for offering their financial assistance. Thanks to National Lottery players we will be able to help and support UK choirs and musical organisations involved in the Song for the Commonwealth.

We are also very grateful to the Royal Society of St George for offering some financial assistance to help support international choirs involved in the Song for the Commonwealth.



The Hillsborough Fort Guard

Sergeant Major P F Shields
(Former Major – Irish Guards)
HFG Bugler Sjt Andrew Carlisle
(Former UDR and R Irish)
Wdr Jackie McQuillan
Cpl Robert Finn
Wdr Charlie Dielt
Cpl Simon Walker
Wdr Stewart Finn
Wdr Alan Finn

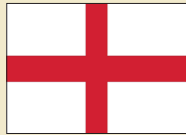
Acknowledgements

Beacons



BEACON ANCHOR CHAIN

Royal Institution of Chartered Surveyors (RICS)



ENGLAND

Cheshire

Mobberley.

Cornwall

Chapel Carn Brea, St Buryan, Lamorna and Paul.
St Agnes Coastguard Station, St Agnes.

Cotswolds

Cleeve Common, Woodmancote.

Cumbria

Barrow Wife Hill, Lindale and Newton-in-Cartmel.
Nine Standards Ring, Kirkby Stephens.

Derbyshire

The Stardisc, Wirksworth.

Devon

Fire Beacon Hill, Ottery St Mary.
Brampford Speke.

Essex

Ridge House, Althorne.

Gloucestershire

Guiting Manor Farm, Guiting Power.

Hampshire

Nether Wallop Village Green, Nether Wallop.

Hertfordshire

Therfield.

Chorleywood Common, Chorleywood.

Kent

Folkestone Academy, Folkestone.
Hilden Vineyard, Hildenborough.

Lancashire

Holme Moss Transmitting Station.
Winter Hill, Rivington.



Leicestershire

Beacon Hill.

London

Telegraph Hill Park, Borough of Lewisham.
Blackheath, Borough of Lewisham.
Hacton House, Havering.
Slade Gardens, Lambeth.
Golder's Hill Park, Barnet.

Northumberland

Deadwater Fell.

Oxfordshire

Cholsey Meadows, Cholsey.
Middle Assendon, Bix and Assendon.

Rutland

Lyndon Hall.

Somerset

Dunkery Beacon, Cutcombe.
Brean Down, Brean.
Tunley Recreation Centre, Dunkerton and Tunley.

Staffordshire

Mow Cop.
The Wheel Field, Codsall.

Acknowledgements

Beacons

Suffolk

St Mary's Church, Haverhill.
Abbey Gardens, Bury St Edmunds.
Stowmarket Recreation Ground, Stowmarket.
St Mary's Church, Coddenham.
St Mary's Church Ickworth.
Thurston.
Culford School, Culford.

Surrey

Hall Grove School, Windlesham.

Sussex

Ditchling Beacon, Ditchling.

Warwickshire

Meadow Cottage Winderton, Brailes.

Wiltshire

Tollgate Road, Salisbury.
Lydiard Park, West Swindon.
Old Sarum Hillfort, Salisbury.

Worcestershire

Rous Lench, Rous Lench.



NORTHERN IRELAND

County Antrim

Knockagh Monument, Mid and East Antrim.



SCOTLAND

Dumfries and Galloway

Summit of Criffel.

Tayside & Fife

Collessie, Fife.

Angus

Knock of Formal, Kirriemuir and Dean.



WALES

Holyhead

Cefn Ysgwydd Bach, Llanfaelog.

Pembrokeshire

Garn Fahr, St David's and the Cathedral Close.
Delyth Dingle.
The Old Point House Pub, Angle.



Acknowledgements

Beacons



FOUR PEAKS

Walking With The Wounded.

England - Scafell Pike (Palgrave Ltd Seaside Good Importers & Distributors).

Scotland - Ben Nevis (Seajacks UK Ltd).

Wales - Mount Snowdon (Bruno Peek Pageantmaster of The Queen's Platinum Jubilee Beacons).

Northern Ireland - Slieve Donard (Stephenson Smart Chartered Accountants & Business Advisors).



OTHER BEACON LOCATIONS IN THE UNITED KINGDOM, CHANNEL ISLANDS AND THE ISLE OF MAN
(THE LIST OF BEACONS, TOWN CRIERS AND PIPERS WILL BE UPDATED AT THE END OF EACH MONTH UNTIL 1ST JUNE 2022)

ENGLAND

Avon: Yate Town Council – Tylers Field, Yate.

Bath & North Somerset: Peasedown St John Parish Council – Beacon Hall, Peasedown St John.

Bedfordshire: Woburn Abbey. Donnington Castle (English Heritage). Yelden. Clapham Parish Council – Milton Road, Clapham. Barton-le-Clay Parish Council. Pottton Town Council. Moggerhanger Park Limited – Moggerhanger House, Moggerhanger Park, Moggerhanger. Shefford Town Council – Town Square, Shefford. Luton Borough Council. Renhold Village, Renhold. Leighton-Linslade Town Council – Parson's Close Recreation Ground, Leighton Buzzard. Haynes Parish Council – The Playing Field, Haynes. Ridgmont Parish Council – All Saints Church, Ridgmont. Ampthill Town Council – Ampthill Great Park, Ampthill. Judith Wright – Ross Meadow, High Street, Risley, Bedford. Sandy Town Council – Sandy Place Academy, Sandy. Silsoe Parish Council – Millennium Green, Silsoe. Pottton Town Council – St Mary's Church Field, Pottton. Knotting and Souldrop Parish Council – Village Green Souldrop.

Berkshire: Copper Horse. Windsor Great Park. Highclere Castle. Wraybury Parish Council. Datchet Parish Council – Jubilee Green, Datchet. Seven Barrows Ltd – Faringdon Road Grass Gallops, Ferringdon. Cookham Parish Council, Cookham. Walbury Hill, Inkpen. Sunninghill & Ascot Parish Council – Victory Field, Sunninghill, Ascot. Thatcham Town Council. Thatcham. Peasemore Village Committee – Peasemore. Brimpton Parish Council – Brimpton Village Hall, Brimpton. Shaw-cum-Donnington Parish Council – Donnington Castle – Donnington, Newbury. West Ilsley Jubilee Committee – The Ridgeway, West Ilsley. Windsor and Maidenhead – High Street, Hurley, Maidenhead. Aldermaston Parish Council – Church Road, opposite to St Mary's Church, Aldermaston. Bray Parish Council – Village Green, Bray. East Ilsley Parish Council – Car Park of the Crown and Horns Public House, East Ilsley. Chieveley Jubilee Planning Committee – Chieveley Recreation Ground, Chieveley. Hurst Parish Council, Hurst. Stratfield Mortimer Parish Council – Mortimer Common, Mortimer. Reading Borough Council – Abbey Ruins- Abbot's Walk, Reading. Sonning Parish Council – King George V Field, Sonning. Newbury Town Council – Victoria Park, Newbury. Chaddleworth, Nr Newbury – Corner of Heads Farm Down Pasture. Sonning Common Parish Council – The Butchers Arms, Sonning Common, Reading, Berkshire. Boxford Community Council – The White Hart, Boxford. Binfield Parish Council – Foxley Field, Binfield. Royal Borough of Windsor and Maidenhead – Windsor Platinum Jubilee Committee – Cambridge Gate, Long Walk, Windsor.

Acknowledgements

Beacons

Buckinghamshire: Latimer and Ley Hill Parish Council – Ley Hill Village Common. Waddesdon Parish Council – Waddesdon Community Centre, Waddesdon. Maids Moreton Parish Council – Maids Moreton Playing Field, Maids Moreton. Great Brickhill Jubilee Group – Great Brickhill Cricket Club, Horsepond, Great Brickhill. Hanslope Parish Council – Hanslope Recreation Ground, Hanslope. Wolverton & Greenleys Town Council – Wolverton, Milton Keynes. Great Horwood Parish Council – The Green, Great Horwood. Fawley Village Association: Fawley Hill or Fawley Glebe Field. St Nicholas' Church, Chearsley with Chearsley Parish Council – Tower of St Nicholas' Church, Chearsley. National Trust Stowe – Stowe Gardens, National Trust, Buckingham. Berryfields Parish Council – Roman Park, Berryfields. The Parks Trust – Campbell Park Light Pyramid, Milton Keynes. Quainton Parish Council Beacon and Fireworks – Mill Hill, Quainton. Whaddon Parish Council – Coddimoor Farm, Whaddon, Milton Keynes. Soulbury Village, Millennium Green, Soulbury. Akeley Parish Council – Akeley Recreational Field, Chuch Hill, Akeley. Ravenstone Parochial Church Council – The Vicarage, Ravenstone. Wooburn and Bourne End Parish Council – Wooburn Park, Wooburn. Stoke Hammond Parish Council – The Sports Field, Bragenham Side, Stoke Hammond. National Trust – Stowe, Stowe Gardens, Buckingham. Burnham Parish Council – Burnham Park Hall, Burnham. Iver Heath Royal British Legion – Iver Heath. Emberton Parish Council. Adstockfields Farm, Adstock. Chalfont St Peter Parish Council.

Cambridgeshire: Huntingdon Town Council – Castle Hill, Huntingdon. Crowland Parish Council – Snowden Fields, Crowland, Peterborough. Warboys Parish Council. Eltisley Parish Council – The Green, Eltisley, St Neots. St Nicolas Church – Hail Weston. Mary's Leighton Bromswold Parochial Church Council – top of St Mary's Church Tower, St Mary's Leighton, Bromswold, Huntingdon. Chatteris Town Council, Chatteris. Sawtry Parish Council – St Judith's Field, Sawtry, Huntingdon. City of Ely Council – St Mary's Green, Ely. Bainton and Ashton Parish Council. Soham Town Council – Recreation Ground – Soham. Ickleton Village – Ickleton. Cottenham Parish Council – Village Hall Recreation Ground, Cottenham. Cambridgeshire County Council – Cambridge Mound, Cambridge. Cambridgeshire County Council – Cambridge Mound, Cambridge. Orwell Parish Council – Orwell Clunch Pit. Soham Town Council – Recreation Ground, Soham. Hilton Parish Council – Village Green, Hilton. Buckden District Council – Field adjacent to Village Hall, Buckden. Village of West Wrattling – Honey Hill, West Wrattling. Sutton Feast – St Andrews Church, Sutton. Communities of Wimblington, Stonea and Hook – Wimblington Parish Hall, Wimblington. Horningsea Village Hall and Green Trust – Laney Meadow, Horningsea. Franks Brothers – The Manor House, Helpston, Peterborough.

Cheshire: Cholmondeley Castle. Beeston Castle (English Heritage). St Bartholomew's Church, Church Minshull, Nantwich. Beeston Parish Council – Beeston Castle – Beeston. Winsford Town Council – Rilshaw Meadows, Winsford. Guilden Sutton Parish Council – Hare Lane, Pipers Ash, Guilden Sutton. East Cheshire NHS Trust - Macclesfield District General Hospital. St Oswald's Church, Lower Peover. Barnton Parish Council, Barnton. Weaverham Parish Council – Lake House Field, Weaverham, Northwich. Toft Parish Council. Hale Parish Council & Freemen of Hale – The Freemen's Field, Hale. Penketh Parish Council, Warrington. Betley Court Farm, Betley, Crewe. Croft Parish Council – Southworth Hall Farm, Croft, Warrington. Holmes Chapel Parish Council – St Luke's Church, Holmes Chapel, Crewe. Dunham Massey – Orchards, Dunham Massey. Daintry Hall Management Committee – The Daintry Hall, Congleton. The Malpas Community Links Committee – Castle Hill, Malpas. Ashton Hayes and Horton cum Peel Parish Council – Ashton Hayes Sports and Recreation Association Field, Ashton Hayes, Chester. High Legh Parish Council – St John's Church Yard, High Legh, Knutsford. The Royal Oak – Worleston, Nantwich. Saltney Town Council, Saltney. Comberbach Platinum Jubilee Celebrations Committee – Field adjacent to the Spinner and Bergamot Public House, Comberbach. Nantwich Town Council – Town Square, Nantwich. Manchester Chinese Community – Chinese Arch, Chinatown, Manchester. Capenhurst and Ledsham Parish Council – Village Green, Capenhurst, Chester. Lymm Parish Council – The Lower Dam, Lymm.

Cornwall: Pendennis Castle (English Heritage) **Not open to the public.** The Village of Polgooth – The Goffin, Polgooth. Torpoint Town Council – Rendel Park, Torpoint. Polperro Community Council. Coronation Park Trust – Coronation Park, Launceston (including firework display). Pelynt Parish Council – Tremaine Cross, Pelynt. Landewednack Parish Council – Lizard Recreation Ground, Beacon Terrace, the Lizard. East Looe Town Trust – The Wooldown, East Looe. Liskeard Town Council – Tower of St Martin's Church, Liskeard. St Anthony-in-Meneage Parish Meeting – Roskruge Beacon. Cornwall Heritage Trust – Sancreed Beacon – Sancreed (near Penzance). Cornwall Heritage Trust – Castle an Dinas, St Columb. Perranzabuloe Parish Council – Perranporth. Red Ruby Devons – Castle an Dinas, Nr Ludgvan, Penzance. Torpoint Town Council, Torpoint. Mabe Parish Council – Mabe. Pentillie Castle – St Mellion, Saltash. Marazion Town Council – Marazion. Carlyon Parish Council – Sea Road Recreation Field, Carlyon Bay, St Austell. Philip Reed Esq, Under Sheriff of Cornwall – Mawnan Shear, Mawnan, Falmouth, overlooking the Helford River. Carlyon Parish Council – Sea Road Recreation Field, Carlyon Bay, St Austell. Philip Reed Esq, Under Sheriff of Cornwall – Mawnan Shear, Mawnan, Falmouth, overlooking the Helford River. Carn Brea Parish Council – Rockfield, Carn Brea. Michaelstow Parish Council – The Beacon, Michaelstow. Penryn Town Council, Penryn. St Austell Bay Parish Council – Charlestown Harbour, St Austell. Blisland Parish Council – Blisland Beacon, Tumrose Farm, Blisland, Bodmin. St Keverne Parish Council – Field adjacent to Lemon Street, St Keverne. Probus Village Platinum Jubilee – Probus. St Michael Penkivel Parish Council – Trewonnal St Michael, Penkivel, Truro. Cardinham Parish Council – Foredown, Cardinham, Bodmin. Constantine Parish Council – Field to the south-east of Constantine. Langore Village Hall – Field adjacent to Langore Road, Langore. Padstow Town Council – Padstow. Padstow Town Council – Trevone. National Trust – Chapel Carn Brea. National Trust – Boscastle. National Trust – Trelissick, Feock, Nr Truro. St Ives Town Council – The Island, Porthmeor, St Ives. Village of Flushing & Mylor Parish Council – Bowling Green, Flushing, Mylor.

Acknowledgements

Beacons

Newquay Town Council – Huer's Hut, Newquay. Gwennap Head NCI Unit – Near Gwennap Head NCI Station. Bodmin Town Council – Bodmin Beacon, Bodmin.
Marhamchurch Parish Council – Wooldown Farm, Marhamchurch, Bude. St Thomas Parish Council & Tregadillett Community Centre – Denmead, Tregadillett, St Thomas, Launceston.
Shevioc Parish Council – Shevioc Parish, Trewickle. Lanivet Parish Council – Churchtown, Lanivet, Bodmin.
Portreath Improvements Committ & Portreath Parish Council – Bandstand, Portreath. St Maby Parish Council, St Maby, Bodmin.

County Durham: Barnard Castle (English Heritage). Fishburn Parish Council. Pitlington Community Organisation with Pitlington Parish Council – Pitlington Parish, including villages of High Pitlington, Low Pitlington and Littleton. Pitlington Community Association with Pitlington Parish Council – Littleton Green, Littleton. St Andrews Church, Winston, Nr Darlington.
Boldron Parish Meeting – Boldron Village Green, Boldron, Barnard Castle. Eggleston Parish Council – Whistle Crag, Eggleston. Spennymoor Town Council – Jubilee Park, Spennymoor.
Sherburn Village Parish Council – Village Green, Sherburn. Tow Law Town Council – The Millennium Green, Tow Law, Bishop Auckland. Bishop Auckland Town Council, Bishop Auckland.
Darlington Borough Council – Joseph Pease Place, Darlington. Bandon & Byshottles Parish Council. Dalton Park Outlet Shopping Destination – Dalton Park, Parkland, Murton.
Lanchester Parish Council & Burnhope Parish Council – Burnhope Picnic Area, Burnhope. St Andrew's Church, Wiston. St Mary Magdalene Church, Hart – Medieval Fish Ponds, Hart
Durham Freemasons – East Murton Farm, Herworth Burn, Wingate. Billingham Town Council – John Whitehead Park, Billingham. Billingham Town Council – John Whitehead Park, Billingham.
Great Aycliffe Town Council – Playing Field at the Oakleaf Sports Complex. Barnard Castle Town Council – Upper Demesnes Ground, Barnard Castle.
Easington Parish Council – Easington Youth Club, Easington. Healeyfield Parish Council. Woodland Parish Council – Woodland, Bishop Auckland. Aldin Grange Farm – Nampara Bearpark.
Middleton St George Cricket & Social Club, Middleton St George, Darlington. Stockton on Tees Borough Council – Town Centre, Stockton.

Cumbria: Brampton. Birdoswald Roman Fort (English Heritage). Whelprigg House. Mansergh Parish Meeting. Barton & Pooley Bridge Parish Council – Heughscar Hill, Nr Pooley Bridge, Ullswater.
Brough Sowerby Parish Meeting – Brough Sowerby Common, Eden. Hayton Parish Council – Hayton Community Field, Hayton. Cumbria Army Cadet Force – Murton Pike, Eden.
St Bees Parish Council, Egremont. Huddleston Masonic Lodge, Millom – Haverigg Airfield, Haverigg. Lamplugh and District Heritage Society – Lamplugh Hows. Levens Village – Hying Field, Levens.
Norman J Thompson – Thompson Ground, Haverigg, Millom. Biggar Community Jubilee Celebrations – Biggar Village, Barrow in Furness. Crook Parish Council – Crook, Kendal.
Barrow Borough Council – Clock Tower, Town Hall, Barrow-in-Furness. Barrow Borough Council – Clock Tower, Town Hall, Barrow-in-Furness. Ulverston Town Council, Ulverston.
Orton Parish Council – Orton Scar Beacon Hill, Orton (Beacons have been lit on this Hill for Coronations and Jubilees since Queen Victoria).
Ousby Parish Council – Land above Ousby, Penrith. Coniston Parish Council – Maundry Bank, Coniston or summit of Coniston Old Man.
Westmorland County Agricultural Society. Windermere Masonic Lodge – Castle Syke Farm, Troutbeck, Nr Windermere.
Kingmoor Parish Council – Cargo, Carlisle. Shap Parish Council – Hardendale Fell, Shap. Castle Carrock and Geltsdale Parish Council – Castle Carrock, Carlisle.
Workington Town Council – Vulcan Park, Workington. Torver Parish Council – Brookfield, Torver, Coniston. Casterton Parish Council – Brownthwaite. Whinell Beacon, Nr Kendal.
Sedbergh Parish Council – Winder Fell, The Howgills, Sedbergh. Penrith Town Council – Top of St Andrew's Church Tower, Penrith. Wigton Town Council – Barton Laws, Wigton.
Cleator Moor Town Council – Dent Fell, Cleator Moor. Shepherds Views Holidays – Behind Shepherds Views Holidays at the highest point between St Bees head and Eskmeals.
Ambleside Masonic Lodge 2745 – Kirkstone Road, Ambleside. Rockcliff Parish Council – Rockcliffe Village, Rockcliffe.
Crosby Garrett Parish Council – Andrews Church Car Park on the Hill, Crosby. Ulveston Town Council – Hoar Hill, Ulverston.
Dalston Parish Council & Dalston Recreation Committee – The Green, Dalston, Carlisle. Bampton Parish Council – Nipe Scar, Bampton, Penrith. Holker Hall and Gardens, Cark-In-Cartmel.
Penrith Town Council – Top of St Andrews Church Tower, Penrith. Penrith Town Council – Fairhill Playing Field, Penrith. Penrith Town Council – Penrith Castle, Penrith.
Tebay Parish Council – Tebay Fell. Millom Army Cadets – The Old Kings Head Pub, Broughton in Furness. Kirkby Stephen Town Council – Nine Standard Hill, Kirkby Stephen.
Kirkby Stephen Town Council – Nine Standard Hill, Kirkby Stephen. Bela Lodge of Freemasons No 7576 – Kendal Rugby Club, Kendal.
Clifton Community Council – Penrith Beacon, Beacon Hill, Penrith, Eden. Hawkshead Parish Council – Summit of Latterbarrow, Hawkshead, Ambleside.
Holme Parish Council – War Memorial, Holme. Matson Ground Estate & Windermere Masonic Lodge – Brant Fell.

Derbyshire: Chatsworth Estate. Hatton Parish Council – Scropton Road Recreation Ground, Hatton. Erewash Borough Council – Market Place, Ilkeston.
Erewash Borough Council – Market Place, Long Eaton. Crich Parish Council – Crich Stand, Plaistow Green Road, Crich. Morley Hayes Leisure - Morley.
Friends of Poulter Park – Top of the World, Poulter Park, Langwith. Findern Parish Council – Hillside Playing Field, Hillside, Findern.
Parwich Memorial Hall Manage Committee – Parwich Hill, Parwich, Ashbourne. Blackwell Parish Council – Blackwell. Matthew and Ellie Elias – Field behind Ivy Cottage, Stanton, Nr Ashbourne.
Matlock Town Council – Riber Castle, Matlock. Aston on Trent Parish Council – All Saint's Church, Aston on Trent. Our Mickleover CIC – Mickleover Sports Club, Mickleover, Derby.
Bupa/Richmond Retirement and Care Village – The Meadow, Ashton on Trent. Tupton Parish Council – Tupton Community Garden, Tupton, Chesterfield. Farnah House Farm, Duffield, Derby.

Acknowledgements

Beacons

Derbyshire County Council – Solomon's Temple, Grin Low and Buxton Country Park, Buxton. National Trust – Hardwick Hall, Doe Lea, Chesterfield.

Taddington & Priestcliffe Parish Council – Humphreygate Quarry, Humphreygate, Taddington.

Devon: Blackborough Social Club – Beacon Hill, Blackborough. Plympton Civic Society – Dorsmouth Rock, Plympton. Eggesford Airfield, Trenchard, Eggesford, Chulmleigh.

Oakehampton Hamlets Parish Council. Hennock Parish Council. Luppitt Parish Council – Hartridge Common Land. Exeter City Council.

Buckland Brewer Parish Council – Buckland Brewer Amenity Field, Buckland, Bideford. Delamore Estate – Penn Tor, Dartmoor. Peter Tavy Parish Council.

Bideford Town Council – The Pollyfield Centre, Bideford. Strete Parish Council – 'Great Bondfire Field,' Manor Farm, Strete. Bampton Town Council – Top of Motte & Bailey, Bampton, Christow, Exeter.

Moretonhampstead Parish Council – Mardon Down, Moretonhampstead. Brixham Town Council – The Green, above Shoalstone Pool, Brixham. Parish of Ilsington – Haytor Rock, Dartmoor National Park.

Exmouth Town Council – Orcombe Point, Exmouth – (Planting line of 7 Trees too). Clinton Hall, Merton. Dartmouth Town Council - Jawbone Hill, Devon. Teignmouth Town Council. Teignmouth.

Beaford – Village Hall Field, Beaford. Morchard Bishop Parish Council – St Marys Church Tower, Morchard Bishop. Boveys Down Farm, Colyton.

Mid Devon District Council – West Sidborough Farm, West Sidborough, Loxbeare. Normansland Cricket Club -Normansland Cricket Club, Normansland, Tiverton.

Dawlish Town Council – Tuck's Plot, Dawlish. Plymouth City Council – Royal Citadel – Plymouth. Torbay Council – Corbyn Headland, Torquay.

Belstone Commoners Association – Watchet Hill, Dartmoor. Colebrooke Parish Council – Colebrooke. Village of West Charleton – Kingsbridge. Eggesford Airfield – Eggesford.

Hillhead Farm, Ugborough, Ivybridge. Newton Abbott Town Council – Wolborough Beacon, Wolborough. Newton Abbot Town Council – Highweek Beacon, Highweek.

Newton Abbot Town Council – Buckland Beacon, Buckland. Tavistock Town Council – Whitchurch Down, "The Pimple," Tavistock. Northam Town Council – Durrant House Hotel.

George and Queens Nympton Parish Council – Thorne Farm, George Nympton, South Molton. Cornworthy Allotments Association – Conworthy Allotment, Slade Field, Cornworthy.

West Anstey Parish Meeting – Anstey Barrows, West Anstey Common, West Anstey. Sandford Parish Council – New Buildings, Sandford.

Sherford Village Community Association – The Field above Sherford Village Hall, Sherford. Devon and Somerset Gliding Club – North Hill, Broadhembury.

Branscombe Platinum Jubilee Committee – Branscombe Beach, Branscombe, Seaton. Chagford Parish Council – Meldon Hill, Chagford.

The Village of Kenton – Powderham Estate, Belvedere Castle (Beacon to be lit by the Earl of Devon).

Great Leisure Ltd / Smytham Manor Leisure – Smytham Holiday Park, Little Torrington, Great Torrington. Coldridge Parish Council, Coldridge Crediton.

Newcombe Farm in conjunction with Buckfastleigh West Parish Council – Newcombe Farm, Coombe, Buckfastleigh. Bradninch Town Council – Christ Cross, Silverton.

Rees Jenkins – Chamberlain Field, Brampford Speke, Exeter. Shaugh Prior Parish Council – Shaugh Prior, Plymouth. Kingswear Parish Council – Fountain Violet Farm, Mount Ridley Hill, Kingswear.

Withleigh Village Hall – Withleigh, Tiverton. Pyworthy Parish Council – Field on Derriton Road, Pyworthy, Holsworthy. Village of Milton Abbot – Milton Abbot Cricket Field, Milton Abbot, Tavistock.

National Trust - Potters Hill – Woolacombe. Ogwell Parish Council. Ogwell Parish Council. South Pool – Wilton Farm, Kingsbridge. Hennock Parish Council – Botter Rock Farm, Hennock.

Chittlehampton Cricket & Sports Club – Abbott's Hill, Chittlehampton. Mary Tavy Victory Memorial Recreation Ground & Coronation Hall – Mary Tavy Victory Memorial Recreation Ground.

Oakdown Holiday Park – Oak Mead Golf Course, Oak Mead Golf, Sidmouth. Cullompton Town Council – Top Field Allotments, St Andrews Estate, Cullompton.

Dorset: Milton Abbas. Berwick St John Parish Council. Wareham Town Council. Wimborne Minster Town Council. Colehill Parish Council.

Pamphill & Shapwick Parish Council - Wimborne Cemetery, Wimborne. Studland Parish Council. Blandford Forum Town Council – Railway Arches, Blandford Forum.

Bere Regis Parish Council – Bere Regis. Sydling St Nicholas Parish Council – Eastfield Hill, Sydling St Nicholas, Dorchester. National Trust, North & West Dorset – Thorncombe Beacon, Bridport.

Island & Royal Manor of Portland Court Leet – The Beacon Ground, Priory Corner, Portland. Sandford Orcas, Queen Thorne, Sherborne – Above Mitre Inn, Sandford Orcas.

Wareham Town Council – Howards Lane Car Park, Wareham. Sturminster Newton Town Council – Railway Garden, Old Market Hill, Sturminster Newton.

Corton Denham Village Hall – Corton Denham Hill, Corton Denham. Stratton Parish Council – Grimstone Down, Stratton. Minterne Estate – Field at Bakers Plain, Cerne Abbas.

Corfe Castle Platinum Jubilee Committee – East Hill, Corfe Castle, Wareham. Christchurch Town Council – Mudeford Quay, Christchurch. Frampton Parish Council – Frampton.

West Parley Parish Council – The Memorial Hall, West Parley. East Lulworth Parish Council – Icehouse Field, Lulworth Castle, East Lulworth, Wareham.

Spetisbury Parish Council & Charlton Marshall Parish Council – Spetisbury Rings, South Farm, Spetisbury. Dorset Council – Durlston Castle, Durlston Country Park, Swanage.

Newman Farming Partnership – Castle Hill, Cattistock, Dorchester Charmouth Parish Council – Charmouth Beach/Foreshore, Lower Sea Lane, Charmouth.

Broadwindsor Fun Group – Allotments opposite Broadwindsor School, Broadwindsor. Kimmeridge Village Hall – Kimmeridge Bay, Kimmeridge, Wareham.

Lyme Bay NCI Unit – Near Lyme Bay NCI Station, Lyme Bay. Parish of Melcombe Horsey and Hilton – Melcombe Park, Ansty, Dorchester.

Membury Merry Makers & Membury Parish Council – Membury Castle, Membury. Rotary Club of Gillingham (Dorset) Harding's Lane Recreation Ground, Gillingham.

Yetminster Jubilee Celebration Committee – St Andrew's Church Tower, Yetminster.

Acknowledgements

Beacons

East Midlands: Hebe's Wood, Braunston, Nr Oakham, Rutland. HMP Stocken, Rutland.

East Sussex: Battle (Battel Bonfire Boyes). Commercial Square Bonfire Society, Lewes. Bexhill on Sea. Willingdon and Jevington Parish Council – South Downs overlooking Willingdon. Hartfield Parish Council – Village Croft Green in the heart of the Village. Crowhurst Parish Council. Isfield and Little Horsted Bonfire Society – I.C.E. Field, Isfield. Beacon Ridge, Rye. Hamsey Parish Council – Lewes Beacon, Mount Harry, Lewes. 1st Horam Scout Group and Horam Parish Council – Horam Recreation Ground – Horam. Peacehaven Town Council, Peacehaven. Hartfield Parish Council, Hartfield. Andrew J Crotty and Brian Drayson – Galley Hill Beacon, Bexhill-on-Sea. Winchelsea Corporation / Winchelsea Millennium Artefacts Society – Winchelsea. Hastings Bonfire Society - East Hill, Hastings. Andrew J Crotty & Brian Drayson – Galley Hill, Bexhill On Sea. Ripe and Chalvington Community Association – Chalvington. Seaford Town Council – Seaford. Ninfield Carnival Association & Parish Council – The Green, Ninfield. Heathfield and Waldron Parish Council, Heathfield. Fairlight Parish Council – Battery Hill, Fairlight. Crowborough Town Council, Crowborough. Light Up Bexhill CIC – Galley Hill, Bexhill On Sea. Fletching Parish Council – Field opposite Fletching Village Hall, Fletching. Hailsham Town Council – Vicarage Field, Hailsham. Glynde Village – Top of Mount Caburn, Lewes. Firle Bonfire Society – Firle. Rotherfield Parish Council – Rotherfield Recreation Ground, Rotherfield. Newhaven NCI Unit – Newhaven NCI Station, Newhaven. Hurst Green Parish Council – Stage Field, Silverhill, Hurst Green. Seaford Town Council – The Shoal, Esplanade, Seaford. Peacehaven Town Council – Peacehaven War Memorial, Peacehaven. Newhaven Town Council – Newhaven Fort, Newhaven.

East Yorkshire: Hessle Town Council – Hessle Foreshore. Bishop Burton Parish Council. Holme Upon Spalding Moor. Burstwick Parish Council and Burstwick Village Hall Management Committee – Feastive Field, Burstwick. Rowley Parish Council – High Hunsley. Millington Cum Givendale Parish Council – Swineridge in Millington Village, Millington. Fridaythorpe Parish Council – Bottom of Mere Grange, Fridaythorpe. East Cottingham Parish Council – Canal Lane, Pocklington, York. Thwing & Octon Parish Council, Thwing. Sykehouse Parish Council – Cricket Field, rear of Sykehouse Village Hall, Sykehouse, Goole. Hornsea Town Council – Hornsea Promenade, Broadway, Hornsea. Sutton upon Derwent – Beacon Green, Sutton upon Derwent. Elloughton-cum-Brough Town Council – Elloughton. East Riding of Yorkshire Council – Hutton Cranswick Sports @ Recreation Association, Hutton. Catton Parish Council, Catton, York. Lund Village Platinum Jubilee Committee - Clematis Farm, Lund Hull International Carnival – Spring Bank Community Centre. Newbald Parish Council – The Green, North Newbald. Barningham Village Hall – Village Green, Barningham, Richmond. Hedon Town Council – Market Hill, Hedon.

Essex: Bulphan Recreation Ground, Essex. Alphamstone & Lamarsh Parish Council – Shrubs Farm, Lamarsh. Heybridge Parish Council – Plantation Hall, Heybridge, Maldon. Theydon Bois Parish Council - Theydon Bois Village Green, Theydon.ayne Community Group – The Swan Public House, Rayne. West Mersea Town Council – Victoria Esplanade, West Mersea, Colchester. Stapleford Abbots Parish Council – St Mary's Church, Stapleford Abbots. Great Waltham Parish Council, Great Waltham. Great Canfield Parish Council – Great Canfield Cricket Ground, Great Canfield. High Easter Parish Council – High Easter Playing Fields, High Easter. Purfleet-on-Thames Community Forum, Thurrock Council – The Green, west side of the Royal Hotel, Purfleet-on-Thames. Stanway Parish Council – Silver Witch Green, Stanway. Billericay Town Council – Sun Corner, Billericay. Colchester Borough Council – Castle Park, Colchester. Wickham St Paul Parish Council – Village Green, Wickham St Paul, Halstead. Great Tey Parish Council and Village Committee – Old Playing Field, Great Tey, Colchester. Rettendon Common, Rettendon, Chelmsford. Bradfield Parish Council - Bradfield Recreation Ground, Bradfield. Little Canfield Parish Council, Dunmow. Loughton Town Council, Hillyfields Open Space, Loughton. Bulphan Village Community Forum – Bulphan Recreation Ground, Bulphan. Wateringbury Scout Group – Thriftwood Scout Campsite, Brentwood. Stock Parish Council – The Common, Stock, Ingatestone. Southend-on-Sea Borough Council - Clifftown Parade, Southend. Fox & Hounds – Ramsden Heath. Little Waltham & Broomfield Parishes – Channels Park. Shalford Village Hall Management Committee – Shalford Village Hall – Shalford. Southminster Parish Council – King George V Memorial Field, Southminster. Heybridge Basin Parish Council, Heybridge. Wincham Parish Council – Linnards Lane Playing Field, Wincham. Boreham Parish Council – Recreation Ground, Boreham. The Swan Inn – Horndon-on-the-Hill. Manuden Parish Council – Manuden. Little Maplestead Parish – The Playing Field, Little Maplestead, Halstead. Newport Parish Council – Newport Recreation Ground, Newport. Navestock Parish Council & Navestock Village Society – The Village Hall, Navestock Side, Navestock, Brentwood. WELCOM Forum – Coalhouse Fort, East Tilbury. Herongate & Ingrave Parish Council – Ingrave Common and Cricket Ground – Herongate. Rochford Parish Council – Rochford Reservoir, Rochford. Felsted Parish Council – The Playing Field, Felsted. Amberden Hall Farm, Widdington. Lindsell Village – Lindsell Cricket Ground, Lindsell. Langley Parish Council – Kangel's Field, Langley, Saffron Waldon. Thaxted Fayre Trust – John Webb's Windmill, Thaxted, Dunmow. Bell Field – Upper Bell Field, Rettendon Common. Rochford District Council – Bellingham Lane, Rayleigh. Stanbourne Parish Council – Stambourne Playing Field, Stambourne. Birdbrook Village, Birdbrook. Elmstead Parish Council – Elmstead North Green, Elmstead. West Bergholt Parish Council – Orpen Memorial Hall, West Bergholt. Stansted Mountfitchet Parish Council, Stansted, Mountfitchet. Village of Widdington – Amberden Hall Farm, Widdington.

Acknowledgements

Beacons

Blackmore Village Fayre Committee, Blackmore, Hook End and Wyatts Green Parish Council – The Green, Blackmore, Ingatstone.
Noak Bridge Parish Council – Wash Road Open Space, Noak Bridge, Basildon. West Horndon Parish Council – West Horndon.
Canvey Island NCI Unit – Canvey Island. Channels Residents Community Group. Gilston & Eastwick Churches & Parish Council, Gilston, Harlow.
St Osyth Parish Council – Cowley Recreation Ground, St Osyth. St Lawrence Parish Council – St Lawrence Hill, St Lawrence.

Gloucestershire: Badminton Estate. Chipping Sodbury Town Trust – The Ridings, Chipping Sodbury. St Edward's Church – Moreton-in-Marsh. Siston Parish Council – Siston Hill, Siston.
Stow on the Wold Town Council - QEII Playing Field, Stow on the Wold. Churchdown Parish Council, Churchdown. Stinchcombe Parish Council – Village Green, Stinchcombe Hill, Stinchcombe.
Adlestrop Village – Adlestrop Hill, Moreton in Marsh. Coln St Aldwyns Parish Council – Tower of John The Baptist Church, Coln St Aldwyns. Pauntley Parish Council – Pauntley Village Hall, Redmarley.
Gloucester City Council – Robinswood Hill Beacon – Gloucester. Cinderford Town Council – The Clock Tower, The Triangle, Cinderford.
Calmsden Farms – Calmsford Farm, Cironcester. Tetbury Town Council – Tetbury. The Old Neighbourhood Inn, Chalford Hill, Stroud. Berkeley Castle Charitable Trust – Berkeley Castle.
Miserden Parish Council – Miserden Estate, Miserden, Stroud. Field Farm, Marshfield – Beeks Lane, Marshfield. Yate Town Council – Tylers Field, Yate, Bristol.
Ebrington Parish Council – Ebrington Hill Farm, Ebringtonm Chipping Campden. Rodmarton Manor, Rodmarton, Cirencester. Patchway Town Council – Bristol BMX Club, Patchway.
Howard Samuals Gotherington Event Team – Crane Hill, Tewkesbury. Maisemore Parish Council – High Redding Hill, Maisemore.
Longhope Parish Council – May Hill, Longhope. Pilning & Severn Beach Parish Council – The Foreshore, Svern Beach. Friend of Pan Tod – Pan Tod, summit of Ruardean Hill.

Greater Manchester: Tameside and Glossop Integrated Care NHS Foundation Trust (Hospital). Stockport NHS Foundation Trust - Stepping Hill Hospital. Pennine Care NHS Foundation Trust.
Oldham Council & Saddleworth Parish Council – Yarns Hill, Saddleworth (Greenfield Brass Band will be playing Die Regnare). Pennine Care NHS Foundation Trust.
Carrington Parish Council – Carrington Parish Council Recreational Field, Carrington. Tameside Metropolitan Borough Council.
Rochdale Borough Council & Friends of Carnegie Library (Castleton) – Village Green, Castleton. St James Church, Ashworth, Rochdale.
Manchester Jewish Community Care (On behalf of the North Manchester Jewish Community -The Nicky Alliance Centre.

Hampshire: Isle of Wight. Wellington Estate. Hurst Castle (English Heritage). Porchester Castle (English Heritage). Hythe Marina Association – The Bund, Hythe Marina. Porchester Castle.
Bramley Parish Council – Cliff Meadow Park. Bramley. Portsmouth City Council – (lighting 2 Beacons). Binley Farms – Binley, Andover. Sherfield on Loddon Village Green Volunteers – Village Green,
Sherfield on Loddon, Hook. Hound Parish Council – Cricket Field, Netley Abbey, Southampton. Damerham Parish Council, Damerham. St Mary Bourne Village Centre, Andover
Pamber Parish Council – Pamber Park, Pamber Heath, Tadley. West End Parish Council, Southampton. Liss Parish Council, Liss. Corhampton & Meonstoke Parish Council – Pondsides Farm – Meonstoke, Hampshire.
Copythorne Jubilee 2022 Working Group, Copythorne Parish Hall Committee & 2nd New Forest North (Stanley's Own) Scout Group – Torch Light Parade & Beacon, Stanley's Own Scout Headquarters,
Copythorne, Southampton. Mapledurwell & Natley Parish Council and Village Hall. Clanfield Parish Council – Top Green, Clanfield.
Breamore Estate Co Ltd – Giants Grave Field, Breamore, Fordingbridge. Thrupton Parish Council – Three Villages Sports Field, Thrupton, Andover.
Fair Oak & Horton Heath Parish Council – Trigonometrical Point, Knowle Park, Fair Oak, Eastleigh. Vernham Dean Parish Council – Fosbury Hill Fort, Vernham Dean.
The National Museum Of The Royal Navy – HMS Warrior Jetty, Portsmouth Historic Dockyard, Portsmouth. Wield Parish Council – The Village Green, Weild, Alresford.
Odiham Parish Council – Odiham Beacon, Odiham. Beaulieu Estate – The Mill Pond, Beaulieu. Catherington Village Residents Association – All Saint's Church, Catherington, Waterlooville.
Harting Parish Council – Harting Down, Harting. Allbrook Parish Council – Otterbourne Common, Otterbourne. Matterley Estate – Cheesefoot Head.
Hampshire County Council – Buster Hill, Queen Elizabeth Country Park Calshot Tower NCI Unit – Calshot Castle, Calshot. Stone Point NCI Unit – Lepe Park, Stone Point.
Hampshire County Council – Lepe Country Park, Lepe, Exbury. Fawley Parish Council – Gang Warily Recreation Centre, Fawley, Southampton. Ewshot Parish Council, Ewshot.
Burley Good Neighbours and Burley Parish Council – Manor Park, Burley, Ringwood.

Hertfordshire: Hatfield House, British Camp. Stevenage Borough Council. Aldenham Parish Council – Salters Field, Cobden Hill, Radlett. Watford Borough Council – Watford Museum, Watford.
Bovingdon Parish Council – Bovingdon Village Green, Bovingdon. Wellington Village Queen's Platinum Jubilee Community Fun Day – Adzor Banks, Wellington Village.
Hammonds End Farm & 1st Harpenden Scouts – Hammonds End Farm, Harpenden. Therfield & Kelshall Parish Council – Hitches Meadow, Therfield.
Bishop's Stortford Town Council – Castle Gardens, Bishop's Stortford. Pirton Parish Council – Pirton. Hertford Heath Parish Council – Hertford Heath Villand Green, Hertford.
Hertford Town Council – The Castle, Hertford. Rose and Crown Public House. Sarah de Rohan – Field next to House, Birley, Hereford.
Bringsty Common & Whitbourne and Brockhampton Parish Councils – Jubilee Hill, Bringsty Common, Worcester. Dacorum Borough Council – Gadebridge Park, Hemel Hempstead.
Abbots Langley Parish Council – Manor House Recreation Ground, Abbots Langley. Little Birch Parish Council – Castle Nibole Farm – Little Birch, Hereford

Acknowledgements

Beacons

London Borough of Barnet Council – St Mary The Virgin Monken Hadley (A historic Beacon site for 800 years. They have lit their Beacon on their Church Tower for all of Her Majesty The Queen's Jubilees).
North Hertfordshire District Council – Field bt Cricket Club, Weston Park, Weston, Hitchin. Sawbridgeworth Town Council – Sayesbury Manor – Sawbridgeworth.
Broxbourne Borough Council – Lee Valley White Water Centre, Waltham Cross. Broxbourne Borough Council – Lee Valley White Water Centre, Waltham Cross.
Great Amwell with Margaret's Parochial Church Council – The Glebe Field. Hitchin Bid – Roof of Waterstones Building, Market Place, Hitchin.
St Stephen Parish Council – Greenwood Park Community Centre, Chiswell Green, St Stephen.

Herefordshire: Hay Town Council – Hay Castle, Hay-on-Wye. Bromyard and Winslow Town Council – Top of Tower of St Peters Church, Bromyard.
Bishops Frome Parish Council & The Hop Pocket – The Strawman will be located on Ward Hill, Bishops Frome. Ross-on-Wye Town Council – The Prospect, Ross-on-Wye.
Kington Golf Course, Bradnor Hill, Kington. Golden Valley YFC – The Bank, Preston on Wye. Dormington and Mordiford Group Parish Council, Hereford.
Weston under Penyard Jubilee Events Team – St Lawrence's Church, Weston under Penyard, Ross on Wye.

Isle of Wight: Carisbrooke Castle (English Heritage). Bembridge Parish Council – Culver Down, Bembridge. Yarmouth Isle of Wight Council – Isle of Wight.
Wellow Millennium Green Charity – Wellow Millennium Green, Wellow, Yarmouth. Cowes Town Council – The Parade, Cowes. National Trust – Longstone Farmhouse, Mottistone.

Kent: Dover Castle (English Heritage), Ashford. Badlesmere Lees and Hall Committee – Badlesmere Lees (Parish Hall). Stockbury Parish Council – Church Farm, Stockbury, Sittingbourne.
Sandgate Parish Council – Esplanade, John Moore Memorial, Sandgate. Upchurch Parish Council – Upchurch Recreation Ground. Headcorn Parish Council – Days Green, Headcorn. Bethersden Parish Council – The George Field, Bethersden. Elmsted Court Farm, Ashford. New Romney Town Council – The Greens, Littlestone, New Romney. Yalding Parish Council – Roof of St Peter & St Paul Church, Yalding, Maidstone. Eythorne Parish Council – Eythorne Railway Station, Shooters Hill, Elvington, Dover. Horton Kirby and South Darenth Parish Council – Heathside, South Darenth. High Halden Parish Council – High Halden Village Green, High Halden. Minster Parish Council – St Mary's Church, Church Street, Minster, Nr Ramsgate. Westgate on Sea Town Council. Hartlip Parish Council – Hartlip Village Hall, Hartlip. Gravesham Borough Council. Appledore Parish Council. Recreation Ground, Village Hall, Historic Society etc – Appledore Recreation Ground, Appledore.
Hartley Parish Council. Hawkhurst Parish Council. Eastry Parish Council. Woodnesborough Parish Council. Lydd Town Council – The Pilot, Battery Road, Lynn on Sea, Dungeness.
Ashford Borough Council. Chittenden Farm, Staplehurst. Sevenoaks Town Council – The Vine, Sevenoaks. Chilham Parish Council – Chilham, Shottenden, Old Wives Lees. Addington Parish Council – Addington Village Hall, Addington. Trottscliffe Parish Council – Village Hall, Trottscliffe. Brookland Parish Council – St Augustine's Church, Brookland, Romney Marsh. Crockenhill Parish Council – Village Green, Crockenhill. Canterbury City Council – Westgate Gardens, Canterbury. Seafront, Herne Bay. Seafront, Tankerton, Whitstable. Friends of Downe Activity Centre – Downe Activity Centre, Downe. Newchurch Parish Council – The Spinney, Romney Marsh. Hole Park Estate, Rolvenden – Windmill Farm, Rolvenden, Cranbrook. Chartham Parish Council – Chartham, Canterbury.
Brenchley and Matfield Parish Council – Matfield Green, the Green, Matfield, Tonbridge. National Trust, White Cliffs of Dover – South Foreland Lighthouse, The Front, St Margaret's Cliffe.
Swanley Town Council – Recreation Ground, Swanley. Upchurch Parish Council – Recreation Ground, Upchurch, Sittingbourne. Lamberhurst Parish Council, Lamberhurst.
Borough Green Parish Council – Borough Green, Sevenoaks. Tonbridge & Maling Borough Council - Tonbridge Castle, Tonbridge. Womenswold Parish Council.
Mersham Parish Council – Millennium Green, Mersham, Ashford. Sevington with Finberry Parish Council – Recreation Ground, Sevington.
Harrietsham Parish Council – St John the Baptist Church, Harrietsham, Maidstone. Hythe Town Council – Prince's Parade Car Park, Hythe.
Stockbury Parish Council - Church Farm, Stockbury, Sittingbourne. Ash-cum-Ridley Parish Council – St Peter and St Pauls Church, Ash, Sevenoaks.
Folkestone Town Council – The Leas, Folkestone. Wye with Hinxhill Parish Council – Wye Memorial Crown, Wye, Ashford & Churchfield Green, The Forstal, Wye, Ashford.
Lenham Parish Council – White Cross, North Downs, Lenham. Benenden Jubilee – The Beacon Field, Benenden. Bethersden Parish Council – The George Field, Bethersden, Ashford.
Wickhambreaux Parish Council – Martin's Pill Box, Martinbreaux. Lower Halstow Parish Council – The Brickfields, Lower Halstow, Sittingbourne. Ospringe Parish Council – Painters Forstal, Ospringe.
Bromley Borough Council – Walnuts Market Square, Bromley. Whitstable & Herne Bay Lions Club – Duncan Downs Country Park, Whitstable.
Sevington with Finberry Parish Council – Millennium Green, Mersham. Friends of Capel Church – Church of Saint Thomas a Becket, Capel.
Teynham Parish Council – Teynham Community Hall, Teynham. Capel Parish Council – Capel Recreation Ground, Capel. Royal British Legion Industries, Aylsford.
Battle of Britain Memorial Trust – Capel le Ferne. Sevenoaks Town Council – Vine Gardens, Sevenoaks. Warehorne Parish Council – St Matthew Church, Warehorne, Ashford.
National Coastwatch Institution (Whitstable Station) – End of West Pier, Whitstable Harbour, Whitstable.
Lyminge Parish Council and the Parochial Church Council – Tower of St Mary and St Ethelburga Church, Lyminge. Longfield and New Barn Parish Council, Longfield.
Horsmonden Parish Council – The Heath (Horsmonden Village Green) Horsmonden. Rusthall Parish Council – The Rackliff Centre, Rusthall.
Whitstable NCI Unit – Near Whitstable NCI Station, Whitstable. Knoll Residents Association – Broomhill Common, Orpington.
Rodmersham Parish Council – Rodmersham Green, Rodmersham, Nr Sittingbourne. Lamberhurst Bonfire Society & Lamberhurst Parish Council – The Down.

Acknowledgements

Beacons

Margate Charter Trustees – Fort Crescent, Margate. Halling Parish Council – The Community Centre, Lower Halling, Rochester.
Ash Church, Ash. Edenbridge Town Council – Stangrove Park, Edenbridge. Charing Parish Council Charing Heath, Ashford. Birchington Parish Council – Epple Bay, Birchington.
Deal Victoria & Barns Close Cricket Club, Deal. Shorne Parish Council – Shorne Common, Shorne, Gravesend. Vigo Parish Council, Vigo.
Kingsnorth Parish Council – Kingsnorth Playing Fields, Ashford. Biddenden Parish Council, Biddenden.

Lancashire: Duchy of Lancaster, Lancaster City Council, Lancaster Priory and Lancashire Lieutenancy Office – Lancaster Castle. Earby Town Council – Bleara Moor, Earby.
Barnoldswick Town Council. West Bradford Parish Council. Catterall Parish Council – Queen Elizabeth II Playing Field, Catterall, Garstang, Preston. Bolton Council.
Bibbs Farm Scout Camp Site and Activity Centre – Heath Charnock, Chorley. ROCA Committee – 21 Group Royal Observer Corps, Preston – Goosnargh, Preston.
Whittington Parish Council, Whittington. Grindleton Parish Council, Grindleton. Claughton-on-Brock Parish Council and Claughton Hall Estate – Cobble Hey, Claughton-on-Brock, Preston.
Browsholme Hall and Estate – Browsholme, Clitheroe. Hambleton Parish Council - Bob Williamson Park, Hamilton. Warton Parish Council – Summit of Warton Crag, Warton.
Preesall Fleetwood's Charity School – Preesall, Poulton Le Fylde. Burnley Council, Burnley. Pilling Parish Council – Lane Ends Amenity Area, Pilling, overlooking Morecame Bay.
Wyre Council – The Mount, The Esplanade, Fleetwood. Whitworth Town Council – Brown Wardle Hill, Whitworth. Carnforth Town Council – High School Ridge, Carnforth.
Greater Manchester West County Scout Council – Dunham Park Scout Camo, Altrincham. Garstang Town Council – Garstang. Parish Council and Fylde Borough Council – Fylde.
Hyndburn Borough Council – Accrington Town Square, Accrington. Preston & District NFU Ladies and J Young, Greenhurst Farm, Allum Scar Lane, Samlesbury.
Preston City Council – Preston Flag Market, Preston. Barton Parish Council, Barton. Coppull Parish Council - Springfield Park, Coppull, Chorley.
Ireby with Leck Parish Council – Leck Fell, Leck. Mellor Parish Council – Viewpoint at Mellor Moor, Mellor. Chorley Council – Rivington Pike, Rivington.
Hornby with Farleton Parish Council – Castle Keep, Hornby Castle, Hornby. Bowland Parish Council – Mellor Knoll. Grapes Hotel, Stoneclogh, Radcliff, Manchester.
Cliviger Parish Council – Thieveley Beacon.

Leicestershire: Whitwick Scout Group – Whitwick. Glenfield Parish Council – Ellis Park, off Stamford Street, Glenfield. Belvior Castle, Barkestone Wood.
Barkby & Barkby Thorpe Parish Council. Hinckley and Bosworth Borough Council – Argents Mead, Hinckley. Stoney Stanton Parish Council, Stanton. Great Oakley Hall – Village of Saltby.
Ratby Parish Council – Tower of St Philip and St James Parish Church, Ratby. Countesthorpe Parish Council – Countesthorpe. National Space Centre (Rocket Tower), Leicester.
St Michael's and All Angels Church, Eastwell. Charnwood Borough Council – Queen's Park, Loughborough. Lutterworth Town Council – Coventry Road Recreation Ground, Lutterworth.
Melton Borough Council – Front Field close to the Main Entry Point, Defence Animal Training Regiment, Remount Barracks, Melton Mowbray.
Sheepy Bonfire Society & Neighbourhood Watch – Sheepy Magna Village, Nr Atherstone. Stoke Golding Parish Council – Field behind White Swan, Stoke Golding.
Stathern Parish Council – Mill Hill, Stathern. Sapcote Parish Council – Grace Road public open spaces, Sapcote. Lubenham Parish Council – Mill Hill, Lubenham.
Twyford Recreation Ground Committee – Twyford recreation Ground, Twyford, Melton Mowbray. Earl Shilton Town Council – The Motte, QEII Hall Field Park, Earl Shilton.
Weston by Welland Parish Council – Hilltop between Weston by Welland and Sutton Bassett. Hall Farm, Dadlington.
Huncote Parish Council – Viewing Platform, New Hill, Huncote Nature trail, Croft Hill, Huncote. Ashley Parish Council - Ashley Recreation Ground.
Breedon on the Hill Parish Council & Breedon Church.

Lincolnshire: Lincoln Castle. Scrivelsby Estate/Horncastle Town Council. Pinchbeck Memorial Ground – Opposite St. Mary's Church, Church Street, Pinchbeck. Manor Farm, Howell, Sleaford.
Deeping St James Parish Council – Jubilee Park, Thackers Way, Deeping St James. Elsham Parish Council. Worlaby Parish Council. Swayfield Parish Council – High Street, Swayfield.
North Scarle Parish Council – North Scarle. Haxey Parish Council. Lincoln Scout Group – Thorpe-on-the Hill. Barkston and Syston Parish Council – Barkston Heath Farm, Barkston. Collyweston Parish
Council – Collyweston Slater, Collyweston, Stamford. Ludford Parish Council and Ludford Village Hall and Playing Field Association – Ludford Playing Field, Ludford, Market Rasen.
International Bomber Command Centre – The Memorial Spire, Bomber Command Centre, Lincoln. New Holland Parish Council, New Holland.
Allington Parish Council – Allington Playing Field, Allington, Grantham. Village of Fotherby, East Lindsey. Corby Glen Parish Council – The Green, Corby Glen.
South Kesteven District Council – Wyndham Park, Grantham and Dysart Park, Grantham. W. Sowerby & Co – Kirmington House, Kirmington, Ulceby.
Picnic on the Green – opposite The Hub (Nocton Village Hall), Nocton. Lincoln District Scouts - Escarpment between Waddington and Harmston Village.
Brigg Town Council – Millennium Green, Brigg. Winterton Town Council – Newport Drive Playing Field, Winterton.
East & West Barkwith Parish Council – Car Park of Village Hall, East Barkwith, Market Rasen. Barton Upon Humber Town Council – The Viking Way, Barton Upon Humber.
Sturton by Stow Parish Council – Sturton by Stow. North Kesteven District Council – Projecting an image of a Beacon on their council office. Spilsby Town Council – Recreation Ground, Spilsby.
Easton on the Hill Parish Council and Gala Committee – Garden of the Blue Bell Public House, Easton on the Hill. Haxey Parish Council – Haxey.

Acknowledgements

Beacons

Waltham Parish Council – Waltham Windmill, Waltham, Grimsby. Barrowby Parish Council – Village Green, Barrowby. Swinstead Parish Council, Grantham.
Skillingthorpe Parish Council – Skillingthorpe. 10th Boston (North Rural) Scout Group – The Beonna, All Saints, Benington, Boston.
Healing Parish Council – Healing Village Hall, Popular Road Park, Healing. Goxhill Parish Council – Millennium Green, Goxhill.
Humberston Village Council – Wendover Paddock, Wendover, Humberston. Stallingborough Parish Council – Stallingborough Playing Fields, Stallingborough. Stapleford Village, North Kesteven.
North Kyme Parish Council – North Kyme Village Hall, North Kyme, Lincoln. Stapleford Parish Meeting – Beckingham Road, Stapleford.
Croxton Kerrial Sports and Social Club, Grantham. Stamford Town Council - Recreation Ground Park, Stamford. Swallow Parish Council - Village Green, Swallow.
South Ferriby Parish Council – The Cliff, South Ferriby. Kirkby Green Parish Council – Village Meadow, Scopwick Villahe Hall, Scopwick. Swinstead Parish Council.
Timberland & Thorpe Tilney Parish Council – Timberland, Lincoln. Moulton Mill 200 Year Anniversary and Queen's Jubilee Celebrations Committee – Moulton Harrox Field, Moulton.
South Holland District Council – Ayscoughfee Hall and Gardens, Churchgate, Spalding. Car Dyke House Farm – Plough Hill, Potterhamworth Booths, Nr Lincoln.
Honington Parish Meeting – Honington Heath, Honington, Grantham. Normanby Estate, Normanby, Scunthorpe.
Pointon & Sempringham Parochial Church Council – St Andrews Church Car Park, Sempringham, Sleaford. Caistor Town Council – Rock Cafe, Caistor.
London: HM Tower of London. Lambeth Palace. Islington Council – Dartmouth Park, Dartmouth Park Hill. Barnet Borough Scout District, Barnet. London Borough of Haringey.
Friends of Chislehurst & Walden Recreation Ground and Chislehurst Society – Walden Regreation Ground, Chislehurst. London Borough of Bromley – Crystal Palace Park, Bromley.
London Borough of Barking and Dagenham – Barking Abbey Green, Barking. Positively Putney BID – St Mary Church, Putney High Street, Putney.
United Grand Lodge of England – Freemason's Hall, Great Queen's Street. Kingston Upon Thames Council & Coombe Wood Golf Club - 11th Teebox, Coombe Wood Golf Club, Kingston Upon Thames.
London Borough of Ealing – Walpole Park, Ealing. London Borough of Ealing – Northala Fields, Northolt. Redbridge Platinum Jubilee Beacon Lighting - London Borough of Redbridge – Redbridge Cycling Centre.
Hayes Village Association – Hayes Common, Hayes. Front Room Songs Ltd/London Bridge City – The Scoop, More London. London Borough of Bexley, Sidcup.
Westminster City Council – Paddington Recreation Ground. The Running Horses, Erith High Street, Erith.
Merseyside: St Helens Council – Taylor Park, Grosvenor Road, St Helens. Wirral Council, Wallasey. Liverpool Cathedral, Liverpool.
Middlesex: 1st Hatch End Scouts in association with Hujjat Primary School - Hujjat Primary School Brookshill Harrow. BAPS Shri Swaminarayan Mandir – Neasden, London.
Norfolk: Sandringham Estate – Royal Parkland, Sandringham. Holkham Hall. Houghton Hall. Norfolk Tank Museum. Potters Leisure Resort. Broad Farm, Salhouse, Norwich. Tharston Events, Tharston. F.A.I.T.H Animal Rescue - Willow Brooks, Stubb Road, Hickling, Norwich. Acle Bridge Inn, Acle. Cromer Town Council – Runtton Road Car Park, Cromer. Sir George Morse Park, Laundry Lane, Thorpe St Andrew, Norwich. Hockham Parish Council – Hockham Playing Field. The Lacon Arms, Seaview Road, Hemsby.
South Norfolk Council – Shelfanger. Ashill Parish Council – The Green, Ashill, Thetford. Northrepps Parish Council. Rockland St Mary with Hellington Parish Council.
Croxton Village Hall – Playing Field, rear of village, Croxton, Thetford. Barnham Parish Council – Barnham CEVC Primary School, Barnham. Honing Estate, Honing. Thetford Town Council – Guildhall and Market Square, Thetford. Hilgay Parish Council and Hilgay Silver Band. King's Lynn & West Norfolk Borough Council – Kings Staithe Square, South Quayside, King's Lynn. Hunstanton Town Council.
North Wootton Village Hall – North Wootton. Gordon Barrett – The Harbour, The Quay, Wells-next-the-Sea. Village of East Rudham, East Runham.
Caister Lifeboat Station & Caister-on-Sea Parish Council, Caister Lifeboat Station, Caister. Edgefield Parish Council, Edgefield. Fakenham Town Council – Millennium Park, Fakenham.
Shelfanger Parish Council. Colby & Banningham Parish Council – Village Green, Banningham. Sheringham Town Council – The Leas, Sheringham Sea Front, Sheringham.
Thornham Jubilee Committee – Thornham. Hardingham Parish Council – The Memorial Hall, High Common, Hardingham. Hickling Parish Council – Hickling Barn, Hickling, Norwich.
Great Yarmouth Borough Council, Marine Parade, Great Yarmouth. Gissing Support Group – Gissing Village Centre, Gissing.
Sedgeford Parish Council & Sedgeford Village Hall, Sedgeford. St Edmunds Parish Church, Downham Market. Newton Flotman Parish Council, Newton Flotman.
Northwold and Whittington Parish Council. Swanton Morley Parish Council – Swanton Morley Village Green, Swanton Morley.
North Walsham Town Council – North Walsham Memorial Park, North Walsham. Shipdam Plantinum Jubilee Celebration- Bullock Park, Shipdam.
Brancaster Parish Council – Barrow Common, adj Brancaster Staithe, Brancaster. West Somerton Village Hall – West Somerton, Great Yarmouth.
Grimston Parish Council – St Botolphs Church, Grimston. Attleborough Town Council – Queen's Square, Attleborough. Spooner Row Community Council – Playing Field, Spooner Row, Wymondham.
Wroxham Parish Council – Wroxham Football Club, Wroxham. Wicken Green Village Jubilee Celebration Organisation Committee – Wicken Green Village.
Freethorpe Village Hall and Social Club, Norwich. Reedham Village Hall – Village Hall Playing Field, Reedham. Harling Parish Council – Recreation Ground, Harling.
Stoke Ferry Parish Council. Needham Coronation Village Hall Management Committee – Village Hall, Needham. Feltwell Community Group – Grange Farm, Feltwell, Thetford.
Lingwood & Burlingham Parish Council – Millennium Green, Lingwood, Norwich. Drayton Parish Council – King George V Playing Field, Drayton, Norwich.

Acknowledgements

Beacons

Gorleston Golf Club – Gorleston Golf Club Course, Gorleston Cliffs, Great Yarmouth. (Most Easterly Golf Course in the UK).
East Carleton and Ketteringham Parish Council. Castle Rising Parish Council – Castle Rising, Kings Lynn. Queenborough Town Council – Crundells Wharf, Queenborough.
Downham Market Town Council – St Edmund's Parish Church, Downham Market. Middleton Village Hall Committee, Middleton, Kings Lynn.
Friends of St Catherine's Church – Ludham & Ludham Parish Council. Ranworth Farms, Estate & Moorings, Ranworth, Norwich. Overstrand Parish Council – The Pleasaunce, Overstrand, Cromer.
Shotesham Parish Council – All Saint's Church, Norwich. Beeston Regis Parish Council – Church Field, All Saints, Beeston Regis. The Burnham Traders- Burnham Market.
Melton Constable Parish Council – Melton Constable. Great Massingham Parish Council – Village Green, Great Massingham, Kings Lynn.
Wood Norton Parish Council – Village Hall, Brush Hill, Wood Norton. Norwich City Council – City Hall, Norwich. Limpenhoe Ville Hall – Limpenhoe.
St Nicholas Bradwell, Bradwell, Great Yarmouth. Swaffam Town Council – Market Place, Swaffam. Village of Morston. Holt Town Council – War Memorial, Market Place, Holt.
Great Ellingham Recreation Centre, Great Ellingham Recreation Centre Playing Field, Great Ellingham. Briston Parish Council – Village Green Briston.
Methwold St George's Church – Churchyard, Methwold, Thetford. Wighton Village, Wighton. Wortwell Parish Council – Wortwell Community Centre, Wortwell.
Gorleston NCI Unit – Flaming Torches on Gorleston Pier, Gorleston-on-Sea, Great Yarmouth. Scarning Parish Council – Dereham Road, Scarning.
Village of Quidenham. Syderstone Parish Council – Playing Field, Syderstone. Dereham Town Council. Bradwell Parish Council – St Nicholas Church, Bradwell, Gorleston, Great Yarmouth.
Northamptonshire: Raunds Town Council, Raunds. Brackley Town Council – Brackley RUFC Clubhouse, Brackley. Rushden Town Council – Hall Park, Rushden.
Hackleton Parish Council – Piddington Cemetery, Piddington. Wootton Parish Council, Wootton, Northampton. Wilbarston Parish Council - Wilbarston Playing Field, Wilbarston.
Great Oakley Hall, Great Oakley. Titchmarsh Parish Council – Playing Field, Titchmarsh. Crick Parish Council, Crick. Grendon Parish Council - St Mary's Church, Grendon.
Thrapston Town Council – Peace Memorial Park, Thrapston. Boughton Parish Council, Boughton, Northampton. Deanshanger Parish Council – Deanshanger Playing Field, Deanshanger.
Litchborough Parish Council – Litchborough Village Green, Litchborough. West Hunsbury Parish Council – St Benedicts Church, West Hunsbury, Northampton.
Hellidon Parish Meeting – Land opposite The Red Lion Public House, Hellidon. Wollaston Events Committee (Northamptonshire) – Beacon Hill, Wollaston.
Guilsbrough – Teeton Road, Guilsbrough. Thorpe Malsor Hall. Roade Parish Council – Village Hall, Roade. Bozeat Parish Council – Village Green, Bozeat.
Wollaston Events Committee - High Street, Wollaston. Stowe Nine Churches Parish Council – St James' Church, Upper Stowe.
West Haddon Parish Council – Playing Field, West Haddon. Old Stratford Parish Council – The Community Centre Playing Field, Old Stratford.
Tiffield Parish Council – Claydon Field, Tiffield. Middleton Cheney Parish Council – Middleton Cheney Primary School, Middleton Cheney. Cottingham Parish Council – Cottingham.
Pytchley Parish Council – Cricket Ground, Pytchley, Kettering.
Northumberland: Alnwick Castle. Ford & Etal Estates, Ford, Berwick-upon-Tweed – Watchlaw Farm, Berwick-upon-Tweed. Longhorsley Parish Council – Longhorsley Village Green, Longhorsley.
Howick Village Hall – Hips Heugh, Howick. Green Croft Arts – HADRIAN'S WALL - Green Croft, Gilsland, Brampton. Seaton Valley Community Council – Seaton Valley Beacon- Seaton Sluive.
Mordington Hill, Mordington, Berwick upon Tweed. Mordington Hill, Mordington, Berwick upon Tweed. Ponteland Town Council – St Mary's Church, Ponteland.
Newbiggin By The Sea Town Council – Church Point next to St Bartholomew's Church, New Biggin By The Sea. Blyth Town Council – Blyth Beach, Blyth.
Cresswell Pele Tower Charitable Organisation – Cresswell Pele Tower, Cresswell. West Bedlington Town Council – St Cuthbert's Church Tower, West Bedlington.
Dr Syntax Pub & Stocksfield Community Forum – Field North of Dr Syntax Car Park, New Ridley. Hexham Town Council – Market Place, Hexham. Wall Parish Council – Wall Fell, Wall, Hexham.
Glanton Parish Council, Glanton.
North Yorkshire: Bolton Abbey. Tan Hill Inn. Pickering Castle (English Heritage). Scarborough Castle (English Heritage).
Spofforth Castle Easingwold Town Council. Hauxwell Hall, Leyburn. Ripon Community Poppy Project – Ripon Market Square, Ripon. Hellifield Parish Council – Hellifield Haw.
Riccall Parish Council – Riccall Park, Riccall. Barby and Osgodby Town Council – Wainhomes Playing Field. Burton in Lonsdale Parish Council. West Tanfield Village – West Tanfield.
St George the Martyr Church, Scackleton, Ryedale. Eskdaleside cum Uggelbarnby Parish Council – Sleights Moor. Ripon Community Poppy Project, Ripon.
Kirk Smeaton and Little Smeaton Community Event Club. Giggleswick Parish Council. Giggleswick. The Police Treatments Centre, St Andrews, Harrogate.
Carthorpe Parish Council – Carthorpe, Bedale. Askham Richard Parish Council – Askham Richard Village Green, Askham Richard. Woodhouse Farm Caravan Park – Winksley, Ripon.
Upper and Nether Poppleton – Village Green, Upper Poppleton. Middlesbrough – Middlesbrough Town Hall Courtyard, Middlesbrough. Crayke Parish Council, Hambleton.
West Middleton Farm – Hutton Magna, Richmond. Langthorpe Parish Council – Lower Grange, Langthorpe, Boroughbridge. Arkengarthdale Parish Council.
Danby Beacon Trust – Danby Beacon, Danby Moor, Danby, Whitby. Romanby Parish Council – Romanby Memorial Garden, Romanby. North Ferriby Parish Council – Riverside Walk, North Ferriby.
Acaster Malbis Parish Council – Acaster Malbis, York. Langthorpe Parish Council – Lower Grange, Langthorpe, Boroughbridge.

Acknowledgements

Beacons

Crakehall with Langthorne Parish Council – The Green, Crakehall, Bedale. CMJ Events – York Spring Fair @ Food Festival – York Racecourse, York.
Tadcaster Town Council – Crossing between Leeds Road and Garnet Lane, Tadcaster. Lawkland Parish Meeting, Giggleswick. Sherburn Parish Council – White Gate, Sherburn
Langthorne Support Group – Langthorne, Bedale. Elvington Parish Council – The Green, Elvington. CMJ Events – York Spring Fair & Food Festival, The Clocktower Enclosure, Your Racecourse, York.
Copmanthorpe Parish Council – Memorial Green, Copmanthorpe, York. Newsham Village Hall Community Association – Village Green, Newsham, Richmond.
Hackforth Parish Council – Millennium Green, Hackforth, Bedale. Cowling Parish Council – Cowling Pinnacle, Cowling. Monk Fryston Parish Council – St Wilfrid's Churchyard, Monk Fryston.
Carperby cum Thoresby Parish Council. North Rigton Parish Council – Almscliffe Crag, North Rigton. Wistow Parish Council, Wistow. Filey Town Council & Filey Lions Club – Carr Naze Country Park.
Bugthorpe War Memorial Hall – Bugthorpe, York. Ayton Jubilee Committee – Castle Fields, West Ayton. Brompton-on-Swale Parish Council – Brompton-on-Swale Sports Field, Brompton-on-Swale.
West Grange Farm – Thorganby Village Hall, Thorganby. Richmondshire County Council – Arklow Hill, Thornton Steward, Ripon. Grassington Jubilee Group – Moor Lane, Grassington, Skipton.
Settringham Village – High Street, Settringham, Malton. Bentham Town Council – Burnmoor, Bentham. The Army Foundation College Harrogate - Uniacke Barracks, Harrogate.
Cayton Parish Council – (Beacon and Lantern Procession), Green Belt Land of West Garth, Cayton. Kirkby Malzeard, Laverton and Dallowgill Parish Council – Greygarth Monument, Dallowgill.
Coniston Cold Parish Council – Richard Tottie Memorial Hall, Coniston Cold, Skipton. Kirklevington & Castlelevington Parish Council – St Martin's Green, Kirklevington.
Make It York – Library Lawn, York Explore, Library Square, York. Masons Campsite, Ainhams, Appletreewick, Skipton.
Ingleton Parish Council and Ingleton Rural Community Association – one on Summit of Ingleborough and the other on Ingleton Sports Field. Riseborough Hall, Riseborough, Pickering.
Masham Parish Council – Roomer Common, Masham. Great Ayton Parish Council – Captain Cook's Memorial, Gribdale, Great Ayton.
Nottinghamshire: Robin Hood Hill, Oxtun. North Leverton with Hablesthorpe Parish Council – North Leverton Mindmill Field. Walesby Forest Activity Centre – Walesby, Newark.
The Military & Hospitaller Order of St Lazarus of Jerusalem and Ashfield District Council – The Plaza, Kirby in Ashfield. Southwell Town Council, Southwell.
Tollerton Parish Council – Village Centre, Tollerton, Nottingham. Fernwood Parish Council – Close to Fernwood Village Hall, Fernwood. Collingham Parish Council – Village of Collingham, Newark.
Bingham Town Council – Bingham, Nottingham. Orston Parish Council – Orston. Selston Parish Council – Woodnook Recreation Ground, Selston.
Torworth Parish Council – Torworth Playing Field, Torworth. Coddington Parish Council – The plough Car Park, Soddington, Newark, Nottingham.
Beeston Borough Council – Beeston Marina, Beeston Rylands, Nottingham. Ruddington Parish Council – The Village Green, Ruddington.
Gotham Parish Council – Gotham Memorial Hall, Gotham, Nottingham. Woodborough Community Association – Governor's Field, Woodborough, Nottingham.
Broxtowe Borough Council – Beeston Marina – Beeston, Nottingham. East Markham Parish Council – Playing Field, East Markham, Newark. Bilsthorpe Parish Council – Sparrow Park, Bilsthorpe.
Cotgrave Town Council – The green, Cotgrave, Nottingham. Cropwell Bishop Parish Council – Cropwell Bishop Memorial Hall Playpark, Cropwell Bishop, Nottingham.
Blyth Parish Council – Spital Farm, Blyth, Worksop.
Oxfordshire: Blenheim Palace. Henley on Thames Town Council. Westwell Parish Council. Croxden Parish Council. Brize Norton Parish Council. Highlands Farm Brightwell-cum-Sotwell – Highlands Farm, Brightwell-cum-Sotwell, Wallingford. Brightwell Baldwin Parish Meeting – Brightwell Baldwin. Grove Parish Council – Village Green, Grove. Daylesford Estate, Kingham, Chipping Norton.
Southmoor and Kingston Bagpuize Parish Council – Millennium Green, Kingston Bagpuize, Abingdon. Shutford Parish Council – Jester's Hill, Swalcliffe Lea.
Goring Heath Parish Council – close to Cold Harbour, Goring Heath. Swinbrook & Widford Parish Council – Tower of St Mary's Church, Swinbrook, Burford.
The Hernes Estate – Church Field, Hernes Estate. Mollington Parish Council and Village Hall – Playing Field, Mollington.
Rollright Parish Council – Great Rollright Village Hall, Great Rollright. Bucknell Jubilee – The Playing Field, Bucknell. Wootton Playing Fields Association – Wootton Memorial Playing Field, Wootton.
North Hinskey Parish Council – Green Hill, NorthHinskey. Chastleton Village – Harcomb Farm, Chastleton. Appleton with Eaton Parish Council – Badswell Lane, Appleton.
Nuffield Parish Council. St Helen Without Parish Council & Dalton Barracks – RAF Abingdon Airfield, Abingdon. National Trust – White Horse Hill, Uffington.
Friends of St Michaels Church Steventon – Hill Farm, Steventon. Village of Standlake – Oxford Downs Cricket Club, Witney. Parish of Farnborough – Farnborough Church, Farnborough.
Thame Town Council, Thame. The Red Lion, Old Marston, Oxford. Fringford Parish Council – Cricket Ground, Fringford.
Rutland: Caldecott Parish Council. Barrowden Parish Council – Village Green, Barrowden. Barleythorpe Parish Council - Buttercross Park, Barleythorpe, Oakham.
Barleythorpe Parish Council – Buttercross Park, Barleythorpe, Oakham. Stocken Hall Road, Stretton. Alysia Caring – Care Home, Oakham.
Shropshire: Sibdon Carwood Meeting. Trefonen Hill Walk - Mynydd Myfyr. Burwarton Estate – Summit of Brown Clee Hill (Highest point in Shropshire).
Prees Parish Council – Prees Cricket and Recreation Club, Prees. Loggerheads Parish Council – Loggerheads, Market Drayton. Astley Abbots Parish Council – Cross Lane Head, Bridgnorth.
Acton Burnell, Frodesley, Pitchford, Ruckley and Langley Parish Council – Burnell Bank. Sansaw Estate and Clive Parish Council – Summit of Grinshill, Clive, Shrewsbury.

Acknowledgements

Beacons

Greete Parish Council – Field called Lathley, Weston Court Farm, Nash, Ludlow. Leaton Forest – Bomere Heath, Shrewsbury. Llanfair Waterdine Parish Council – Llanfair Hill, north of Llanfair Waterdine.
Great Hagley Estate Ltd – Millennium Stone, Great Hagley, Hopton Castle, Craven Arms. Ludlow Town Council – Ludlow Castle Keep, Ludlow.
Bourneville Village Trust – Cropping's Park, Lightmoor Village, Telford. Bomere Heath & District Parish Council – Field off Merrington Road, Bomere Heath, Shrewsbury.
Clun Town Council with Chapel Lawn – Guilden Down, Clun. Titterstone Clee Summit, Nr Clee Viillage, Ludlow. Market Drayton Town Council – St Mary's Church, Market Drayton.
Newport Town Council – Tower of Nicholas Church, Newport.

Somerset: Rotary Club of Taunton. Burrington Parist Council. Uphill Village Society – Tower, Uphill Hill. Long Ashton Community Association – Peel Park, Long Ashton Recreation Ground, Long Ashton. Milton Clevedon Parish Council. St Cuthbert (Out) Parish Council. Winscombe and Sandford Jubilee Committee – Winscombe and Sandford. Glastonbury Town Council – Glastonbury Tor. Porlock Parish Council – Porlock Recreation Ground, Porlock, Minehead. Ripland Farm, West Hatch, Taunton. Mid Somerset Show – Mid Somerset Showground, Cannards Grave, Shepton Mallett. Kingston Seymour Parish Council – Crossman's Wharf, alongside the Bristol Channel between Clevedon and Weston-super-Mare. Somerset Young Farmers – Godney Farm, Godney, Wells.
Winford Parish Council – Felton Common. West Huntspill Parish Council - Village Common, West Huntspill. Axbridge Town Council – Mendip Hills.
Middlezoy Parish Council – Windmill Hill, Middlezoy, Bridgewater. Brent Knoll Parish Council & The Royal British Legion – top of Brent Knoll.
Wellington Town Council. Kilve Parish Council – Kilve Beach, Kilve. Stogumber Parish Council – The Beacon Field, Stogumber, Taunton.
Chewton Mendip Parish Council – Chewton Down, Chewton Mendip. Somerton Town Council – Somerton Sports Club, Somerton. Churchstanton Parish Council, Taunton.
Chard Town Council – Crowshute Link & Mitchell Gardens, Chard. Pear Ash Farm, Pen Selwood, Wincanton. North Perrott Parish Council – Perrott Park, North Perrott, Crewkerne.
North Curry Parish Council – North Curry. South Somerset District Council – Ham Hill Country Park, Stoke sub Hamdon. Trull Parish Council – Trull George V Playing Field, Trull.
Haywood Village Platinum Jubilee Planning Group – Centre of the Village, Haywood Village, Western Super Mare.
Abbas and Templecombe Parish Council – Recreation Ground, Abbas and Templecombe. Downside Abbey – Stratton on the Fosse, Radstock.
Royal Bath & West Show – Royal Bath & West Showground, Shepton Mallet. Buckland Dinham Parish Council. Croscombe Parish Council. Priddy Parish Council.
Churchill and Langford Parish Council – Churchill Recreation Ground, Churchill. South Cadbury and Sutton Montis Parish Council – Cadbury Castle, South Cadbury.
Knol Village Celebration – Top of Knol Hill, Knol. Burnham-on-Sea – Burnham-on-Sea Jetty. Highbridge Town Council – St Johns Church, Highbridge.
Gordonions – Orchard adjacent to Portbury House, Portbury. Ilminster Town Council – The Beacon, Beacon Hill, Ilminster. Wembdon Parish Council – Wembdon Allotments, Wembdon.
Village of Compton Bishop and Cross – Crook Peak. Chedzoy Parish Council – Chedzoy Village Hasll grounds – Chedzoy, Bridgewater.
Clatworthy Parish Council and Village – Raleigh's Cross, Brendon Hill, Watchet. Wedmore Jubilee Committee – The Wedmore Beacon, Manor Field, Wedmore.
Stawell & Sutton Mallet Parish Council and Village Hall, Stawell. Midsomer Norton Town Council – Midsomer Norton Rugby Club, Midsomer Norton, Radstock.
Bawdrip Parish Council – Peasey Farm, Bawdrip, Bridgewater, Somerset. Witham Friary Parish Council – Sports Field, Witham Friary.
Abbas and Templecombe Parish Council – Templecombe Recreation and Sports Club, Templecombe.
National Trust – Brean Down. National Trust – Burrow Mump. National Trust – Dunkery Beacon. National Trust – Glastonbury Tor. National Trust – Crook Peak.
National Trust – Staple Plain. National Trust – Wellington Monument. West Pennard Village Hall, West Pennard. Barrington Parish Council – Village Hall, Barrington.
Nempnett Village Hall Committee – Nempnett Thrubwell Village Hall, Nempnett, Thrubwell. Chillington – Field off the A30 midway between Crewkerne and Chard.
Cranmore Parish Council – Cranmore Tower, Cranmore. Moorlinch Good Neighbours Social Committee – The Hill, Spring Farm, Moorlinch, Bridgewater.
Otterhampton Parish Recreation Association – Combwich Common, Combwich, Bridgewater. Williton Parish Council – Williton War Memorial Recreation Ground, Williton.
Hockworthy Church (St Simon & St Jude) and Borden Gate Parish Council – Hole Farm. Bath & North East Somerset Council – City Centre, Bath.

South Yorkshire: Conisbrough Castle (English Heritage). Barnsley Metropolitan Borough Council - Owd Martha's Yard Community Garden Hoyland.
Maltby Town Council – Land between Victoria Street, Muglet Lane and Blyth Road, Maltby. Ulley Parish Council. Wales Parish Council. Hooton Pagnell Parish Council, Doncaster.
Conisbrough Parks Parish Council, Doncaster. Ulley Parish Council. Askern Town Council – Askern Lake, Askern. Ecclestone Parish Council. Ecclestone.
Penistone Agricultural Society Show – Penistone Agricultural Show Field, Penistone. Owd Martha's Yard Hoyland's Community Garden, Barnsley.
Ecclesfield Parish Council – Chapeltown Park & Grenoside Community Centre, Sheffield. St Mary's Church, Ecclesfield, Sheffield.
Dinnington Parish Council & Dinnington Rugby Union Football Club – Dinnington Rugby Club, Dinnington, Sheffield. Wadworth Parish Council – Village green Wadworth, Doncaster.
Woodsetts Parish Council. Doncaster Council – Mansion House, Doncaster. Doncaster Council – Sir Nigel Gresley Square, Waterdale, Doncaster.

Acknowledgements

Beacons

Staffordshire: Kingstone Jubilee Group – Kingstone Parish Council. Croxden Parish Council – Wood Farm, Greatgate, Tean. Tean Leys Farm – Bagals Ordinary Worms, Leigh, Stoke of Trent. North Staffordshire Combine Healthcare NHS Trust, Stoke on Trent. Hixon Millennium Green Trust – Hixon Millennium Green, Hixon, Stafford. Brocton Parish Council, Brocton. Hixon Millennium Green Trust – Hixon Millennium Green, Hixon, Stafford. Blithfield Parish Council – Admaston Village Hall, Admaston. Leek Rotary Club – Leek on the edge of Staffordshire Moorlands. Peppard Revels – Peppard Top Common, Rotherfield Peppard, Henley on Thames. Brown Edge Parish Council - Brownedge. Biddulph Town Council – Biddulph, Stoke on Trent. Rocester Parish Council – Rocester Village Hall, Rocester. The Loyal and Ancient Borough of Newcastle-under-Lyme – Apedale Country Park. John Arnold and his two daughters – Cheddleton and Wetley Rocks, Staffordshire Moorlands. Stefan Amison - Swynnerton Parish – Swynnerton Hall, Swynnerton. Cwm Bydd Farm – Cuckoo Patch, Clunton Bank, Clunton, Craven Arms. Newport Town Council – Top of St Nicholas Church Tower, Newport. Loggerheads Parish Council – Hugo Meynell Church of England Primary School, Loggerheads, Market Drayton. Village Green, Norton, Stoke on Trent. Brereton Million Organisation, Brereton & Ravenhill Parish Council & Cannock Chase District Council – Ravenhill Park, Brereton, Rygley. Eccleshall Parish Council – Eccleshall Castle, Eccleshall, Stafford. Green Farm – Chapel Chorlton. Great Wyrley Parish Council – Millennium Green, Great Wyrley. Kings Bromley Parish Council. Lower Penn Parish Council – Springhill Cricket Club, Lower Penn, Wolverhampton. Norton Canes Parish Council – Brownhills Road Playing Fields, Norton Canes. Oxleasows Farm, Chebsey, Stafford. Shenstone Parish Council – St John the Baptist Church, Shenstone. Heaton Parish Council – Commons Field, Overhouses Farm, Heaton. Penistone Town Council – Royd Moor Viewing Point, Thurlstone. Hoar Cross Parish Council – The Deer Park, Hoar Cross, Burton Upon Trent. Lichfield Cathedral, Lichfield. Stafford Borough Council – Victoria Park, Tenterbanks, Stafford. Stone Town Council – St Michael & St Wulfad's Church, Stone. Rugeley Town Council – Market Square, Rugeley.

Suffolk: Framlingham (English Heritage). St Peter's Church, Carlton. Ringsfield and Weston Parish Council – Russell Green, Ringsfield, Beccles. Mendlesham Parish Council - Scout Site, Land adjacent to Green Road, Mendlesham Green. West Row Parish Council – Church Green, West Row. Polstead Parish Council. Eye Town Council, Eye Castle, Eye. Southwold Town Council – Gun Hill, Southwold. Sudbury Town Council – The Croft, Sudbury. Bungay Town Council – Bigod Castle, Bungay. Benhall & Sternfield Parish Council – Aldecar Lane, Benhall. Woolpit Parish Council – Our Ladys Well, Woolpit. Flowton Parish Meeting – Flowton, Ipswich. Levington and Stratton & Stratton Parish Council – Church Field, Levington. Little Thurlow and Great Thurlow Parish Councils, Thurlow. Kessingland Parish Council – Roy Brown Garden, Beach Road, Kessingland. Friston Parochial Church Council – Friston. Aldeburgh Town Council, Aldeburgh. Beccles Town Council – Beccles Quay, Beccles. Blundeston and Flixton Parish Council – Millennium Green, Blundeston. Wortham Burgate Parish Council – Long Green, Wortham. Lavenham Parish Council – Lavenham. Combs Parish Council – Combs Cemetery, Combs. Brandon Town Council, Brandon. Castle Farm – Sutton Hoo, Woodbridge. Laxfield Parish Council – Laxfield Playing Field, Laxfield, Woodbridge. Dunwich Jubilee Committee including Dunwich Parish Meeting, East Suffolk Council & Suffolk County Council – Dunwich Beach, Dunwich. Henley Community Centre Charity – Church Meadows, Henley. Bures Hamlet and Bures St Mary Parish Councils – Bures Recreation Ground, Bures. Snape (Suffolk) Platinum Jubilee Committee supported by the Parish Council – By St John the Baptist Church, Snape. Capel St Mary Parish Council – Community Centre, Capel St Mary. Shottisham Parish Council – Sorrel Horse Public House, in a field known as the Pightle. Stowupland Parish Council – The Green, Thorney Green, Stowupland. Melton Parish Council – Melton Recreation Ground, Melton. Metfield Parish Council – Nut Tree Farm, Metfield. Felixtowe Town Council – Felixtowe. West Suffolk Council – The Abbey Gardens, Bury St Edmunds. Holton St Mary Parish Council – Millennium Green, Holton St Mary. Mildenhall High Town Council – Jubilee Field – Mildenhall. Stowmarket Town Council – Recreation Ground, Stowmarket. Offton & Willisham Parish Council and Village Hall Committee – Village Hall, Lower Coney Grove, Offton. RJ & HW Wrinch – Nr Shotley Church, Shotley, Ipswich. Haughley Parish Council – The Green, The Folly, Haughley. Hundon Parish Council – Hundon. Milden Parish Council – Milden Playingfield, Milden. Beyton Village Association and Parish Council – Beyton Green, Beyton. Crowfield Parish Council - The Recreation Ground, Crowfield Village Hall, Crowfield, Ipswich. Kedington Royal British Legion – on Hill behind Royal British Legion Hall, Kedington. Ipswich Borough Council – Christchurch Mansion Lawn, Christchurch Park, Ipswich. Earl Stonham Parish Council and Earl Stonham Village Hall – Forward Green Village Green, Forward Green. Beck Row Parish Council – St John's Church, Beck Row, Bury St Edmund's. Bacton Parish Council – Bacton Manor, Bacton. Lowestoft Town Council – Sparrows Nest, Lowestoft (MOST EASTERLY BEACON IN THE UNITED KINGDOM). Corton Parish Council – Playing Field, Corton, Lowestoft. Linstead Village Hall Committee – Linstead Village Hall, Linstead. Easton Parish Council – Village Green, Easton. Long Melford Parish Council – Upper Green, Long Melford. Sproughton Parish Council – The Millennium Green, Sproughton. Stoke by Nayland Parochial Church Council – St Mary's Church, Stoke by Nayland. Clare Town Council – Clare Castle Country Park, Clare, Sudbury. Rendlesham Parish Council – Rendlesham.

Acknowledgements

Beacons

Surrey: Chiddingfold (Chiddingfold Bonfire Association). Woldingham Parish Council – Woldingham. Dormansland Parish Council – Dormansland Recreation Ground, Dormansland. St Barnabas Church, Ranmore Common, Dorking. Caterham Festival – Westway Common, Caterham. Pirbright Parish Council – Village Green, Pirbright. Tandridge Parish Council – Tandridge Village, Tandridge. Surrey Heath Borough Council – Frimley Lodge Park, Frimley Green, Camberley. Worplesdon Parish Council – Top of Bell Tower, St Mary's Church, Worplesdon. Lingfield Parish Council, Lingfield. Normandy Parish Council, Normandy. Peterchurch Parish Council – Snodhill Castle, Peterchurch. Kirton & Fakenham Parish Council – Kirton Village Green Kirton. Surrey Young Farmers – Brockham Village Green, Brockham. Village of Crowhurst, Lingfield. Woking Borough Council – Terrace of Christ Church, Jubilee Square, Woking. Epsom and Ewell Borough Council – Epsom & Walton Downs, Epsom. FLGCA Fairlands, Liddington Hall and Gravetts Lane Community Association – FLGCA Recreation Field, Fairlands, Guildford. Worplesdon Parish Council – Wood Street Village Green, Worplesdon. St Peter's Church, Old Woking, Woking. Guildford Borough Council – Guildford Cathedral, Guildford.

Tyne and Wear: Tynemouth Priory (English Heritage). Easington Lane Community Access Point – ELCAP, Brickgarth. Salvation Army Swan Lodge – Sunderland. Walbottle Village Festival 0122 – Walbottle Villave Green, Walbottle. South Tyneside Council – Lawe Top, South Shields. Land of Oak & Iron Heritage Centre (Groundwork NE & Cumbria) – Land of Oak & Iron Heritage Centre, Winlaton Mill. Ryton Holy Cross Church – Village Green, Old Ryton Village, Ryton.

Warwickshire: Burton Green Residents' Association, junction of Cromwell Lane and Red Lane, Burton Green. Fillongley Parish Council. The Queen's Platinum Jubilee Committee and Atherstone Town Council – Atherstone. Alcester Town Council and Alcester Royal British Legion – Alcester Centenary Field, Alcester. Warwickshire County Council – Oversley Castle, Alcester. Home Field, Park Farm, Claverdon. Stratford upon-Avon Town Council. Exhall and Wixford Cricket Club – on hills behind Exhall and Wixford Cricket Club, Exhall. Hartshill Parish Council – Oldbury Hills, Hartshill. Parochial Church Council, St Peters Church, Dorsington. Stratford-upon-Avon Town Council – Monument Field, Wlcombe Hills, Stratford-upon-Avon. Salford Priors Parish Council – Salford Priors Playing Field, Salford Priors. Fillongley Parish Council – Colliers Oak Field, Fillongley. Coventry City Council – Coventry Cathedral Ruin, Coventry. Stockton Football & Cricket Club, Stockton Parish Council, Saint Michael and All Angels Church. Bidford-on-Avon Parish Council - "Queen's Jubilee Garden," Bidford-on-Avon. Shipston on Stour Parish Council – Wadden Farm, Shipston on Stour. Southam Council – Recreation Park, Southam. Warwickshire County Council, Villages of Northend and Avon Dassett and Burton Dassett Village Hall Committee – Beacon Hill, Burton Dassett Country Park, Burton Dassett. Fillongley Parish Council – Hardingwood Lane, Fillongley. Dunchurch Parish Council & The Friends of the Dunchurch Society – The Heath, Dunchurch.

West Midlands: The Royal Orthopaedic Hospital NHS Foundation Trust – Bristol Road South, Northfield, Birmingham. Bishops Offley Millennium Trust – Bishops Offley Millennium Green, Bishops Offley, Stafford. St Stephen the Martyr Church, Rednal, Birmingham. Uppingham Town Council – Tod's Pice – Uppingham, Rutland. Kingshurst Parish Council, Kingshurst.

West Sussex: Arundel Castle. Burgess Hill Town Council & Burgess Hill Bonfire Society – St John's Park, Burgess Hill. Bognor Regis Town Council. Cowdray Estate – Cowdray Park, Midhurst. Ashurst Wood Village Council – John Pears Field, Ashurst Wood. Boxgrove Parish Council - Halnaker Windmill - Halnaker. D H Tupper Farms – Duncton Down. Southbourne Sea Scouts – Prinsted Slipway, Prinsted Shore, Prinsted, Southbourne. West Hoathly Parish Council – Finche Field, West Hoathly. Littlehampton Town Council – Littlehampton. Tillington Parish Council – Tillington Recreation Ground – Petworth. Adur District Council – Shoreham Fort. Worthing Borough Council – Worthing Promenade, Worthing. Friends of Shoreham Fort - Shoreham Fort, Shoreham By Sea. Lodsworth Parish Council – Lodsworth Village Hall, Lodsworth, Petworth. Milland Parish Council & The Royal British Legion – Cartersland, Milland. Worthing Scouts – Broadwater Green, Worthing. Plaistow and Ifold Parish Council – The Village Green, Plaistow. Haywards Heath Town Council – Victoria Park, Haywards Heath. Horsham District Council – The Papitol, Horsham. National Trust – Harting Down Car Park, Easting. East Grinstead Town Council – King George's Field, East Grinstead. Billingshurst Parish Council – Village Green, Aversane, Billingshurst. Twineham Parish Council – Beacon Hill, Hookers Farm, Twineham, Haywards Heath. Barns Green Platinum Jubilee Event – Sharpenhurst Hill. Bexley / Three Rivers – The Nest, Cygnet Square, Thamesmead. Tangmere Parish Council – Village Green, Tangmere, Chichester (Beacon being lit by newly married couple). Lindfield Parish Council – Lindfield Common, Lindfield. Church Farm, Coombes, Lancing.

West Yorkshire: Horsforth Town Council – Hall Park, Horsforth. City of Bradford Metropolitan District Council. Friends of Cliff Recreation Ground – Cliff Recreation Ground, Holmfirth. Cookhill Parish Council – Cookhill Village Hall, Cookhill, Alcester. Kippax Parish Council – Cheney Basin, Kippax, Leeds. Calderdale Council – Halifax. Thorne Parish Council – Thorne, Leeds. Bramham Community Group – Bramham. Wrose Parish Council – Highcroft Youth Centre, Wrose, Shipley. Clifford Parish Council – Playing Field, Clifford, Wetherby. Strathmore/Blackshaw Parish – Strathmore, Great Rock. Thorne Platinum Jubilee Celebrations – Kirk Hill, Thorne, Leeds. Shadwell Parish Council – Colliers Lane, Shadwell. Wakefield Metropolitan District Council – Pontefract Castle, Castle Garth, Pontefract. Emley Village – Emley Millennium Green, Emley, Huddersfield. Wakefield Hospice, Wakefield.

Acknowledgements

Beacons

Burley Parish Council – Grange Park, Burley in Wharfedale. Ackworth Parish Council – Watertower Field, Castlesyke Hill, Ackworth. Calderdale Council – Piece Hall, Halifax.
Thurstonland Village Association – Summit of Haw Cliff. Leeds City Council – Woodhall Hills, Calverley. Bridgehouse Brewery Ltd – The Grouse Inn, Keighley.
Keighley Town Council – Town Hall Square, Keighley.

Wiltshire: Old Sarum. Maiden Bradley with Yarnfield. Amesbury Town Council. Netheravon Parish Council. Little Somerford Parish Council. Latton Parish Council - Playing Field, Latton.
Melksham Town Council. Devizes Town Council – Roundway Hill, The Plantation, Devizes. Winterslow Parish Council – Winterslow Recreation Ground, Winterslow.
All Cannings Parish Council – Cliffords Hill, All Cannings. Steeple Langford Parish Council, Steeple Langford. West Tisbury Parish Council - Newtown, West Tisbury.
Burbage Parish Council – Far Lash Open Space, Farlash, Burbage. Ham Parish Council – Ham, Marlborough. Milton Lilbourne Parish Council – Martinsell Hill.
The Fonthill Estate – edge of Great Ridge Woods, above village of Chicklade. East Knoyle Parish Council – The Windmill, The Green, East Knoyle.

Westbury Town Council – White Horse Beacon, Westbury. Highworth Town Council – Market Square, Highworth. Cherhill Parish Council – Cherhill Down, Cherhill, near Marlborough.
Parish of Marden. Enford Parish Council – Between Enford and Netheravon, Salisbury Plain. Colerne Parish Council – Church of St John the Baptist, Colerne.
Colerne Parish Council – Colerne Airfield, Colerne. Tidworth Town Council – Tidworth. Marlborough Town Council – The Common, Marlborough. West Dean Parish Council, Salisbury.
Lydiard Millicent Parish Council. Neston Park, Corsham. Sherston Parish Council – Tower of Holy Cross Church, Sherston. Woodborough Parish Council – Woodborough Hill, woodborough, Pewsey.
West Knoyle Parish Council – The Warren at Broadoak, Game Farm, West Knoyle. National Trust – Stourhead, Stourton. Keevil Parish Council, Keevil.
Pitton & Farley Parish Council – Pitton Village Hall, Playing Field, White Hill, Pitton, Salisbury. Mere Town Council – Castle Hill, Mere. National Trust – Avebury, High Street, Avebury.
Malmesbury Town Council – Lower High Street, Malmesbury. Stourton with Gasper Parish Council and Kilmington Parish Council in partnership with the National Trust – Whitesheet Hill.
Tollard Royal Parish Council. Stanton St Bernard Parish Council – Milk Hill, Stanton St Bernard, Marlborough. Sutton Mandeville Parish Council – Manor Farm, Sutton Mendeville, Salisbury.
Wiltshire Army Cadet Force & Devizes Town Council – Roundway Hill, Devizes.

Worcestershire: Beacon Hill, Worcester. Wythall Community Association. Stock & Bradley Parish Council. Hanley Broadheath - Top Horse Pasture, Court Farm, Hanley, Childe.
Worcester City Council - Fort Royal Park, Worcester. Hartlebury Castle Preservation Trust – The Sphere, Hartlebury Castle, Hartlebury. Kempsey Parish Council – Kempsey Common, Kempsey.
Redditch Borough Council – Arrow Valley Park. Tenbury Blooms – S.E.N.S.E Tenbury Community Garden, Tenbury. Honeybourne Parish Council – Honeybourne Village Hall, Honeybourne, Evesham.
Upper Arley Parish Council – Field opposite Shatterford Village Hall, Upper Arley. Redditch Borough Council – Sanders Park, Bromsgrove. Baldwin's Farm – Pebworth.
Inkberrow Parish Council & Jubilee Committee – Inkberrow. Stourport-on-Severn Town Council – War Memorial Park, Stourport-on-Severn.
Little Witley Village Hall Management Committee – Chapel Farm, Little Witley. Severn End Hanley Castle. Droitwich Spa Town Council. Dedderrill Parish Council.
Martley Parish Council, Martley. Cuddington Residents Association – Wandgas Sports and Social Club, Worcester Park, Worcester.
Heightington Village Hall Management Committee – Heightington Village Hall, Heightington, Bewdley.

Acknowledgements

Beacons

SCOTLAND

St Margaret's Chapel, Edinburgh Castle.

The Beacon is being sponsored by Bruno Peek LVO OBE OPR

Pageantmaster, The Queen's Platinum Jubilee Beacons

Aberdeenshire: Balmoral Castle. Hill of Tillymorgan Gulsalmond. Turriff & District Community Council – Turriff Showground, Turriff. Inverurie Pipe Band – Bennachie Hill, Inverurie. Boddam and District Community Council – Boddam, Peterhead. Finzean Community Council. Cruden Bay Community Council – Ward Hill, Cruden Bay.

Slains and Collieston Community Council – The Rivie, Collieston. VSA – Easter Anguston Farm, Peterculter, Aberdeen. Tap O Noth Hill, Rhynie.

Angus: Kinnaird Castle. East Haven Together - On Beach, East Haven. Dunninald Estate Ltd, Montrose. Forfar East & Old Parish Church, Forfar, Angus.

Argyll & Bute: Inveraray Castle. Kilninver and Kilmelford Community Council – Kilmelford Village. Ardnacross Farm, Aros, Isle of Mull. Inspiring Innellan – Cluniter Point, Innellan. Argyll & Bute Council – Ettrick Bay, Isle of Bute.

Caithness: Help for Heroes – Dunnet Head

Clackmannanshire: Menstrie Scout Group – Top of Dumyat Hill, Menstrie. Clackmannanshire Lord Lieutenancy – The Nebit, above Alva, Clackmannanshire.

Dumbartonshire: Dumbarton Castle.

Dumfries & Galloway: Royal Burgh of Annan Community Council – Watchall Field, Annan. Tinwald Parish Community Council – Barr Farm, Amisfield, Dumfries. Centre Stage Theatre – Malcolm Monument, Langholm. Johnstonebridge Community Centre, Johnstonebridge.

East Ayrshire: Ochiltree Community Council - Ochiltree Community Hum, Ochiltree. East Ayrshire Council and East Ayrshire Leisure Trust – Dean Castle Country Park, Kinmarnock. Craufurdland Ltd, Craufurdland Castle Estate – Craufurdland Castle, Kilmarnock.

East Lothian: North Berwick Community Council – North Berwick Harbour, North Berwick. Wallyford Community Council – Wallyford, Musselburgh.

Fife: St Monans (Coastwatch Scotland St Monans Unit). Royal Naval Association Rosyth & West Fife Branch - Hillend Playpark. Leven Community Council – Leven Beach Promenade. Kettle Community Council. Pittenweem Community Council – Pittenweem West Braes Park, Pittenweem.

Highlands: Dunachton Estate, Kincaig.

Inverness-shire: Gen Cannich. Pitmain and Glenbancher Estates Ltd – Pitmain Estate, Kingussie.

Isle of Skye: Hunshel Parish Council - Green Moor.

Midlothian: Crown Estate Scotland – The Square, Tomintoul. Edinburgh Castle.

Morayshire: Covesea Lighthouse Community Company Ltd – Covesea Lighthouse, Lossiemouth. Dufftown Royal British Legion – Ben Rinnes, Dufftown.

North Ayrshire: Irvine (Coastwatch Scotland – Irvine Unit). Beith and District Community Council. 25 Group (AYR) Royal Observer Corps Association – Sleimorlie Museum Heritage site. The IMC Project – Saltcoats Harbour.

Orkney Islands: Orkney Islands Council – Broad Street, Kirkwall. Sanday Community Council – Sandy, Orkney.

Perth & Kinross: Blair Castle and Cardens. The Police Treatment Centre – Castlebrae, Auchterarder. Rait Beacon Committee – Dive between Rait Village and Fingask.

Perth & Kinross Council – Church of Scotland Council, Pitlochry. Perth & Kinross Council – Black Watch Memorial, Aberfeldy. Perth & Kinross Council – Wellmeadow Gardens, Blairgowrie.

Perth & Kinross Council – McCrosty Park, Crieff. Perth & Kinross Council – Kirkgate Park, Kinross. Perth & Kinross Council – Primrose Park, Auchterarder.

Perth & Kinross Council – Riverside/Norie, Perth.

Renfrewshire: Renfrewshire Council – Paisley Abbey, Paisley.

Roxburghshire: Roxburgh Estate.

Shetland Islands: Unst.

South Ayrshire: Straiton Village Cooperative – Bennan Hill, Straiton, Maybole.

South Lanarkshire: Rutherglen West and Wardlawhill Parish Church.

West Lothian: West Lothian Council – Beecraigs Country Park, Linlithgow, West Lothian. Crofthead Care Home, Fauldhouse.

Acknowledgements

Beacons

WALES

Brecknockshire: Pen-y-Fan.

Cardiff: Cardiff Castle.

Carmarthenshire: Whitland Town Council, Whitland. Pembrey and Burry Port Town Council. Carmarthen Town Council – Carmarthen Park, Carmarthen.

Ceredigion: Cyngor Cymuned Aberporth Community Council – Penrhodyn, Aberporth.

Conwy: Lladudno Town Council – Great Orme, Llandudno.

Denbighshire: Rhuddlan Town Council. Denbighshire County Council – Rhyl Events Arena, Rhyl. St Asaph City Council.

Flintshire: Trelawnyd & Gwaenysgor Community Council – Top of Gop Hill. Trelawnyd & Gwaenysgor Community Council – Gwaenysgor Mast.

Penyffordd Community Council – Younog Hill, Penyffordd, Chester.

Gwent: Cymdeithas Twmbarlwm Society – Twmbarlwm Hill Fort, above Risca. Manmoel Welfare Association – The Doman, Manmoel Common, Manmoel. Victory Church, Talywain, Pontypool.

Gwynedd: Abergwyngregny Regeneration Company – Abergwyngregyn. Neath Town Council – Neath Castle Gardens, Neath. Bangor City Council – Bangor Pier, Bangor.

Mid Glamorgan: Garth Hall Farm and Garth Fawr Farm, Cilfynydd, Pontypridd. Merthy Mawr Community Council. Bishopston Community Council, Swansea.

GFH Ltd – Gelligaer Common, Nr Gelligaer Quarry, Gelligaer.

Monmouthshire: Cyngor Dinas Casnewydd/Newport City Council. Shirenewton Community Council - Recreation Field, Shirenewton. Gentleman Lunies – Three Words Locator, Llantilio Crossenny.

Portskewett Community Council – Sudbrook Camp, Sudbrook. Newport City Council – Queen Elizabeth 11 Playing Fields, Ringland, Newport.

Llanthony Valley and District Show Society, Hatterall Hill, adjacent to Offa's Dyke Path. Penhow Community Council – Seymour Park, Penhow, Newport.

Langstone Community Council in partnership with Llandevaud and Llanmartin Communities – Pencoed Castle, City of Newport. Llanover, Abergavenny.

Pembrokeshire: St Davids City. Marloes Community Council – Beacon Field, Marloes. Pembroke Dock Town Council. Milford Haven Town Council.

Solva Community Council – Solva, Little Valley, Wiston, Haverfordwest. Neyland Town Council. Letterston Community Council, Letterston.

Narberth Town Council – Lower Car Park, Narberth Town Moor, Narberth. Letterston Community Council – Skyber Mountain, Letterston. Picton Castle Gardens – The Rhos, Haverfordwest.

Pembroke Castle, Pembrokeshire. Worms Head NCI Unit – Near Worms Head NCI Station – Worms Head. St Brides Major Community Council – Cilma Car Park, Southerndown.

Powys: Llanfair Caereinion Town Council – Llanfair Caereinion. Llanellwedd Community Council – On Hill, at Maengowyn Farm, Llanellwedd Builth Wells. Glasbury & District Community Council.

Alisby's Castle & Fireworks, Crickhowell. Painscastle District Village Hall Committee – The Roundabout, The Begwyns, Painscastle. Welshpool Town Council.

Talgarth and District Regeneration Group – Mynydd Troed, Powys. Llandefalle Hall Committee – Llandefalle Hill, Llandefalle, Brecon.

Llanfihangel Rhydiathon Community Council – Llysin Hill, Llandrindod Wells.

Radnorshire: Rhayader Town Council – Gwastedyn Hill, Rhayader. Pentwyn Farm, Huntington, Kington - Hergest Ridge, Gladestry.

Swansea: Mumbles Community Council – Oystermouth Castle – Mumbles.

Torfaen: Torfaen County Borough Council – Folly Tower, Pontypool.

Vale of Glamorgan: Penarth Town Council, Penarth Clifftops, Penarth. Llantwit Major Town Council. Coity Castle, Coity, Bridgend. Sully & Lavernock Community Council, Sully.

Merthy Tydfil County Borough Council. Llandough Community Council – King George V Memorial Playing Fields, Penarth. Pentyrch Community Council – The Garth Mountail, Pentyrch.

UWC Atlantic, St Donats Community Council and St Donats Bay National Coastwatch Institution Station – St Donats Castle, St Donats.

Coychurch Lower Community Council – Coed y Mwstwr Golf Club, Coychurch.

Wrexham: St Chads Church Bellringers – St Chads Church, Holt.

Acknowledgements

Beacons

NORTHERN IRELAND

Ards and North Down: Ards and North Down Brough Council – Conway Square, Newtownards.

Ards and North Down Borough Council – Castle Park, Bangor.

Ards and North Down Borough Council – Burr Point, Ballyhalbert.

Hillsborough Fort – The Square, Royal Hillsborough.

County Fermanagh: County Fermanagh Section, Royal Scottish Pipe Band Association, Northern Ireland Branch – St Macartin’s Cathedral (Enniskillen).

The Rotary Club of Enniskillen – Enniskillen Castle (Enniskillen). Fermanagh Scouts (Scouts NI) – Topped Mountain (Enniskillen).

Army Cadets – Enniskillen Royal Grammar School (Enniskillen). Brookeborough District Lodge – Brooke Memorial Orange Hall (Brookeborough).

County Tyrone: Caledon Castle. The Royal British Legion Strabane Branch – Knockavoe Hill, Strabane.

County Antrim & County Down: Lisburn and Castlereagh City Council, Lisburn.

Killyleagh Castle – Castle Square, Killyleagh.

Mid and East Antrim Borough Council – Larne Town Park, Larne.

Mid and East Antrim Brough Council – Fisherman's Quay, Scotch Quarter, Carrickfergus.

Mid and East Antrim Borough Council – People's Park, Ballymena. Parish of Killinchy, Kilmoody and Tullynakill.



CHANNEL ISLANDS

Isle of Sark. States of Alderney. States of Guernsey.

Dial Rocks Hill, Tresco Island, Isles of Scilly.

Isle of Herm. Isle of Jethou. the Government of Jersey.



GIBRALTAR

On the Tower of Homage at the Moorish Castle in Gibraltar.

ISLE OF MAN

Slieu Lhost.

Isle of Man Federation of Young Farmers – Isle of Man.

CANADA

Tea At The Whitehouse

Main Street North – Ontario.

City of Kawartha Lakes and British Empire Fuels – Kawartha Settler’s Village, Bobcaygeon.

The Canadian Scottish Regiment (Princess Mary's – Beacon Hill, Victoria, British Columbia.



Photograph: Lisburn & Castlereagh City Council.

The Hillsborough Fort Guard, who will be attending a Beacon lighting event, location TBC, 2nd June 2022.



Photograph: Lisburn & Castlereagh City Council.

Hillsborough Fort Guard Sergeant Major P F Shields (Former Major - Irish Guards).

Acknowledgements

Beacons



TRINITY HOUSE

Bardsey Lighthouse
Caldey Island Lighthouse
Flamborough Head Lighthouse
Longstone Lighthouse
Portland Bill Lighthouse
South Stack Lighthouse

Girlguiding



"I am delighted that Girlguiding is supporting and taking part in the lighting of Beacons to celebrate this very special Jubilee marking the 70-year reign of our Patron Her Majesty The Queen."

In 1937, Princess Mary signed up the 11-year old Princess Elizabeth (far right) as a Girl Guide and her younger sister, Margaret (far left) was signed up as a Brownie, according to British newspaper, The Telegraph. Their mother joined the Guides too, becoming Patron of the Girl Guides.

Amanda Medler, Chief Guide.

ENGLAND

Avon

Girlguiding Bristol and South Gloucestershire County
Location: Glenny wood Bristol, Wood Ln, Bristol.

Berkshire

Girlguiding Royal Berkshire County
Location: Thirtover Place.

Bristol

Girlguiding Bristol and South Gloucestershire County
Location: Brockmead Scout Campsite, Berwick Ln, Bristol.

Buckinghamshire

Girlguiding Buckinghamshire County
Location: Ellesborough Guide Centre.

Cambridgeshire

Girlguiding Cambridgeshire East County
Location: Newmarket Jarman Centre.

Cheshire

Girlguiding Cheshire Forest County and Chester Council
Location: Frodsham Hill.

Cornwall

Girlguiding Cornwall County
Location: Trelissick, Feock, near Truro.

Cumbria

Girlguiding Cumbria South County
Location: The Promenade, Grange-Over-Sands.

Derbyshire

Girlguiding Derbyshire County
Location: Morley Ln, Little Eaton, Derby.

Devon

Girlguiding Devon County
Location: Great Potheridge House, Merton.

Dorset

Girlguiding Dorset County
Location: Dudsbury Guide camp, Ferndown.

Durham

Girlguiding Durham South County
Location: East Shotton, Burnt Houses.

Gloucestershire

Girlguiding Gloucestershire County
Location: Bubbs Hill, Girlguiding Gloucestershire HQ, Cheltenham.

Greater London

Girlguiding London over the Border
County & Chigwell Row Campsite team
Location: Chigwell Parish Council offices.

Greater Manchester

Girlguiding Greater Manchester West County
Location: The Trafford Centre, Manchester.

Guernsey

Girlguiding Guernsey County
Location: Sausmarez Manor, Rte de Sausmarez, Guernsey.

Hampshire

Girlguiding Hampshire East and North County
Location: tbc

Hertfordshire

Girlguiding Hertfordshire County
Location: Tolmers Scout Camp, Cuffley.

Isle of Man

Girlguiding Isle of Man County
Location: Douglas Head

Isle of Wight

Girlguiding Isle of Wight County
Location: Cheverton Farm, Newport.

Kent

Girlguiding Kent West County
Location: Paxwood Campsite, Dartford, Kent.

Lancashire

Girlguiding Lancashire South County
Location: Haigh Hall, School Lane, Wigan.

Girlguiding Lancashire Border County
Location: Sacred Heart R.C. Primary School, Westhoughton, Bolton.

Leicestershire

Girlguiding Leicestershire County
Location: Topstones.

Lincolnshire

Girlguiding Lincolnshire South County
Location: Parva House, Little Hale, Sleaford.

Merseyside

Girlguiding Sefton County
Location: Crosby Beach (near Anthony Gormley's Iron Men statues).

Girlguiding Wirral County
Location: Hadlow Fields Campsite.

Girlguiding



Middlesex

Girlguiding Middlesex North West County
Location: Willow Tree Centre, Uxbridge.

Girlguiding Middlesex East County
Location: Northern Heights Camp site.

Northamptonshire

Girlguiding Northamptonshire County
Location: Wickstead Park.

Northumberland

Girlguiding Northumberland County
Location: Swinhoe Farm, Belford.

North Yorkshire

Girlguiding Richmondshire Division
Location: Barneybeck Campsite, Mill Lane, Redmire, North Yorkshire.

Nottinghamshire

Girlguiding Nottinghamshire County
Location: Edwinstowe Cricket Club, Mansfield.

Oxfordshire

Girlguiding Oxfordshire County
Location: Watlington Hill, Hill Farm Sanctuary.

Somerset

Girlguiding Somerset County
Location: The Bishop's Palace, Wells, Somerset.

South Yorkshire

Girlguiding Sheffield County
Location: Whiteley Woods Outdoor Centre, Sheffield.

Staffordshire

Girlguiding Staffordshire County and West Mercia County
Location: Beaudesert Activity Centre, Cannock Wood, Rugeley.

Stockport

Girlguiding Stockport County
Location: The Children's Inn, Rowarth.

West Sussex

Girlguiding Worthing Cissbury
Location: Goring-by-Sea, Worthing.

Girlguiding Sussex Central County
Location: Horsham Guides Division campsite.

West Yorkshire

Girlguiding Leeds County and Girlguiding West Yorkshire County
Location: Wynches, Burley in Wharfedale.

Worcestershire

Girlguiding Worcestershire County
Location: Blackmore campsite, Hanley Swan, Worcestershire.

WALES/CYMRU

Gwent

Girlguiding Gwent County
Location: Usk Showground.

Anglesey

Girlguiding Anglesey County
Location: Holyhead Mountain, Holy Island.

Montgomeryshire

1st Montgomery Rangers and Montgomery Town Council
Location: Town Hill, Montgomery.

SCOTLAND

Lanarkshire

Girlguiding North Lanarkshire County
Location: Chryston Guide Hall.

Dunbartonshire

Girlguiding Dunbartonshire County
Location: Catterburn Campsite, Croftamie.

Ayrshire

Girlguiding Ayrshire North County
Location: Blair Activity Centre.

Scottish Borders

Girlguiding Scottish Borders County
Location: Bowhill House, Selkirk.

Angus

Girlguiding Angus County
Location: Lour Hill near Forfar.

East Lothian

Girlguiding East Lothian County
Location: Garleton Farm.

Midlothian

Girlguiding Midlothian.

NORTHERN IRELAND County Down

Girlguiding Ulster Country
Location: Lorne, Holywood, North Down.

Londonderry

Girlguiding Londonderry County
Location: Benone Guide Camp Site.

Tyrone

Girlguiding Tyrone County
Location: Tanderagee Rd, Pomeroy, Dungannon.

GIRLGUIDING ACTIVITY CENTRES IN ENGLAND

West Sussex

Girlguiding HQ team
Location: Blackland Farm, East Grinstead.

Lancashire

Girlguiding HQ team
Location: Waddow Hall, Lancaster.

Hampshire

Girlguiding HQ team
Location: Foxlease, Lynhurst.

Derbyshire

Girlguiding HQ team
Location: Glenbrook, Bamford.

BRITISH GIRLGUIDING OVERSEAS

Cyprus Episkopi

British Girlguiding Overseas Cyprus region
Location: Episkopi Station BFPO 53

Scouts

“Our Scouts are incredibly proud to be taking part in the Queen’s Platinum Jubilee Beacon lighting on 2 June 2022. Right across the UK, our groups will be lighting at least 70 beacons, one for each year of The Queen’s reign as our Monarch and Patron. HM The Queen is a shining light for young people, helping them gain skills for life. Her outstanding example of service, dedication and kindness have inspired generations.”

Bear Grylls OBE, Chief Scout.

ENGLAND

Avon

Scout Group: 169th Brentry Scout Group, Bristol Cabot Scout District
Location: 169th Brentry Scout Hut, Tranmere Avenue, Brentry, Bristol.
Private

Berkshire

Scout Group: 3rd Upton Scouts
Location: Walter Davies Scout Campsite.
Private

Scout Group: 1st Ufton Nerve Scout Group
Location: 30 Acre Wood, Camp Road.
Private

Buckinghamshire

Scout Group: 1st Flackwell Heath
Location: Flackwell Heath.
Private

Scout Group: 1st Grendon & Edgcott Scout Group
Location: Mill Hill, Grendon Underwood, Aylesbury, Bucks.
Private

Cornwall

Scout Group: 3rd Bodwin
Location: The Beacon, Bodwin.
Private

Cumbria

Scout Group: 1st Kirkby Stephen
Location: Tailbrig.
Private

1st Cockermouth Scouts
Location: Top of Slate Fell, Cockermouth.

Derbyshire

Scout Group: 1st Duffield Scouts
Location: Croots Farm Shop, Duffield (open land adjacent to building).
Private

Devon

Scout Group: 35th Plymouth
Location: Grounds of 35th Plymouth.
Private

Dorset

Scout Group: Parkstone St Peter’s
Location: Poole, Dorset.
Private

Scout Group: Woodcutts Scouts
Location: Sixpenny Handley
Public

Durham

Scout Group: Consett
Location: Consett Scout hut.
Private

Scout Group: 7th Gateshead
Scout Group
Location: Angel of the North.
Public

East Riding of Yorkshire

Scout Group: Humberside County
Location: Hope & Anchor, Blacktoft Lane, Blacktoft.
Private

Essex

Scout Group: Kingston Ridge Campsite
Location: Kingston Ridge, Langdon Hills Basildon.
Private

Scout Group: 1st Thaxted-Carver Scout Group
Location: Thaxted.
Private

Scout Group: 30th Loughton
Location: Grounds of 30th Loughton Scouts.

Scout Group: Stanway Scout Group
Location: Stanway Scout HQ, Villa Road, Stanway, Colchester.
Private

Scout Group: 2nd Hawkwell Scout Group
Location: 2nd Hawkwell Scout Hut, Magnolia Road, Rochford, Essex.
Private

Scout Group: Thorrington Scout Camp
Location: Thorrington Scout Camp.
Private

Greater London

Scout Group: Gilwell Park, Scouts HQ
Location: Gilwell Park.
Private

Scout Group: 2nd Collier Row Scout Group
Location: Worthington Hall, Collier Row.
Private

Scout Group: Croydon Scouts
Location: Bears Wood Scout Campsite, Rear of Oswald Estate, Off Courtwood Lane, Croydon. Surrey.
Private



Scouts

Scout Group: 28th Willesdon
Location: 28th Willesdon Scout
Group ground.
Private

Scout Group: 1st Kingston Hill
Location: 1st Kingston Hill
Headquarters, 293 Park Road,
Kingston, Surrey.
Private

Greater London North

Scout Group: 9th Muswell Hill
Location: Cornel Scout Campsite.
Private

Greater Manchester

Scout Group: 10th Radcliffe
Scout Group
Location: Giant's Seat Scout
Campsite.
Private

Hampshire

Scout Group: Horndean Scouts
Location: Horndean.
Public

Scout Group: Denewulf District
Location: Lyons Copse.
Private

Hertfordshire

Scout Group: Hertford District
Location: Hertford Castle.
Private

Scout Group: 1st Braughing
Scout Group
Location: Standon.
Private

Scout Group: Lees Wood Scouts
Location: Lees Wood Scout &
Guide Activity centre.
Private

Scout Group: 1st Harpenden
Scouts
Location: Hammonds End Farm.
Private

Kent

Scout Group: 1st West Malling
Scouts
Location: Malling District
Campsite.
Private

Scout Group: 1st Sturry
Location: Sturry Scouts HQ, Park
View, Sturry, Canterbury, Kent.
Private

Lancashire

Scout Group: Brindle St James
Location: Denham Quarry,
Denham Lane, Top'o'th'lane,
Brindle.
Private

Leicestershire

Scout Group: Thorpe Acre Scout
Group
Location: Thorpe Acre Scout
hut, 81 Thorpe Acre Rd,
Loughborough, Leicestershire.
Public

Scout Group: Whitwick Scout
Group
Location: Scout Field - 109
Leicester Road Whitwick.
Private

Lincolnshire

Scout Group: 1st Spalding Town
Location: Pecks Drove Scout
Campsite.
Private

Scout Group: Gainsborough
District
Location: Jim Page campsite.
Private

South Yorkshire

Scout Group: Don District
Explorer Scouts
Location: Grenoside Community
Centre Main St, Grenoside,
Sheffield.
Public

Surrey

Scout Group:
Location: Scout hut garden -
Weston Lea, West Horsley.
Private

Norfolk

Scout Group: 1st Hoveton and
Wroxham Scout Group
Location: Wroxham.
Private

Scout Group: 1st Fressingland
Location: 1st Fressingfield Scout
HQ, Priory Road, Fressingfield.
Private

Northamptonshire

Scout Group: 1st Corby and 1st
Stanion
Location: Corby.
Public

Scout Group: Northamptonshire
County Scouts
Location: Sir John Lowther
Training & Activity Centre,
Glendon, Kettering.
Private

Scout Group: Northampton
District Scout Council
Location: Overstone Scout
Campsite and Activity Centre
Northampton.

Oxfordshire

Scout Group: Scout Adventures
Youlbury
Location: Scout Adventures
Youlbury.
Private

Shropshire

Scout Group: 1st Much Wenlock
Location: Much Wenlock.
Private

Somerset

Scout Group: Glenny Scouts
Location: St Bride's Scout Camp
Private

Staffordshire

Scout Group: 1st Cheddleton
Location: Consall Scout camp.
Private

Scout Group: 6th Stafford (Trinity)
Location: Sandon, Staffs
Private

Scout Group: 12th Stafford
Location: St17 Old.
Private

Surrey

Scout Group: Woking District
Scouts
Location: Birchmere Campsite
(Woking District Scout Campsite).
Private

West Midlands

1st Bilston Scouts

West Sussex

Scout Group: 10th Worthing
Location: Broadwater Green,
Broadwater Street West, Worthing.
Private

Scout Group: 1st Angmering
Scouts and Guides
Location: Arundel.
Private



Scouts

West Yorkshire

Scout Group: Keighley District
Location: Low Wood Scout Activity Centre, Elam Wood Rd, Riddlesden, Silsden, Keighley.
Private

Scout Group: Denholme Scout Group
Location: Denholme.
Private

Wiltshire

Scout Group: Winterslow Scouts
Location: Winterslow.
Private

Scout Group: 1st Wilton Scout Group
Location: Ugford Farm.
Private

SCOTLAND Borders

Scout Group: Lauderdale Scout Group
Location: Lauderdale Scout Group grounds.
Private

Dunbartonshire

Scout Group: 4th Helenburgh Scouts
Location: Helenburgh.
Public

Fife

Scout Group: Dunfermline District Cub Scouts
Location: Fordell Firs Activity Centre.
Private

Highland and Islands

Scout Group: Explorers nan Eilean Siar, 2nd Stornoway
Location: Clisham, Isle of Harris
Public

Ross, Skye and Lochalsh

Scout Group: An Cabar
Location: Knockfarrel, by Dingwall.
Public

Roxburghshire

Scout Group: TBA
Location: Old Melrose Estate.
Private

WALES

Glamorgan West

Scout Group: Fforestfach Scout Group
Location: Fforestfach Scout Group HQ
Private

Merthyr Tydfil

Scout Group: 5th and 6th Merthyr
Location: Troedyrhiw.
Public

Monmouthshire

Scout Group: Usk Scouts
Location: The Owain Glyndwr Park, Usk, Monmouthshire.
Public



Scouts

Acknowledgements

Enniskillen, Northern Ireland

The historic island-town of Enniskillen in Northern Ireland's picturesque Fermanagh Lakeland is the most westerly community in the UK participating in The Queen's Platinum Jubilee Beacons and its associated activities on Thursday 2nd June. The Very Rev. Kenneth R.J. Hall, Dean of the Diocese of Clogher, has invited the County Fermanagh Section, Royal Scottish Pipe Band Association, Northern Ireland Branch to be part of the cross-community Service of Thanksgiving and Beacon Lighting at St. Macartin's Cathedral, which will celebrate the Queen's Platinum Jubilee during its quadricentennial year.

Proceedings will commence at 2pm with an official proclamation by Toastmaster Gary Wilson at The Diamond, Enniskillen.

Well over 100 pipers and musicians from 18 local pipe bands and further afield will play 'Diu Regnare', their collective and personal tribute to Her Majesty the Queen at 9.35pm that evening in advance of the Beacons being lit at 9.45pm. This is a unique tune, specially written for The Queen's Platinum Jubilee Beacons by 2020 Glenfiddich Champion piper Stuart Liddell, Pipe Major of the World's leading pipe band, Inveraray and District.

The Bugle Call 'Majesty' will be played two minutes before the lighting of the Beacon in the grounds of the Cathedral, overlooking the town. The unique Bugle Call has been especially written by Bugler Sgt A.W. Carlisle, Hillsborough Fort Guard, Northern Ireland and will be played at many other Beacon locations throughout the UK just before the Beacons are lit that evening too. After the beacon is lit, to the sound of skyrockets exploding and bells pealing, the Cathedral Choir will sing the 'Song for the Commonwealth'.

The massed bands will parade from Church Street to Enniskillen Castle, where the iconic

lakeside stronghold will be bathed in purple lighting by Fermanagh & Omagh District Council to commemorate the special occasion.

The Rotary Club of Enniskillen will host the lighting of a beacon on the Castle walls. Twelve more beacons along the shore of Lough Erne will be lit by young folk who have been an inspiration to others within their community.

Fermanagh Scouts (Scouts NI) will light a beacon on Topped Mountain, overlooking Enniskillen accompanied by a Piper and Bugler.

Two vivid beams of light will project into the night sky above the Castle, the 'crossing of lights' poignantly symbolising the Queen's historic visit to St Macartin's Church of Ireland Cathedral in 2012 for a service of thanksgiving to mark her Diamond Jubilee. Queen Elizabeth II was the first English Monarch to visit St Macartin's Cathedral, which was built almost 400 years earlier under the reign of King James I. Following that service, the Queen crossed the street to St. Michael's Roman Catholic Church to greet cross-community representatives.

Her Majesty's first visit to County Fermanagh was as a young Princess on the 20th of March 1946.

Participating Pipe Bands:

Bellanaleck Pipe Band
Brookeborough Pipe Band
Cavanacarragh Pipe Band
Drumharvey Pipe Band
Derryclavin Pipe Band
Enniskillen Pipe Band
Enniskillen Royal Grammar School Pipe Band
Feugh Pipe Band
Irvine Memorial Pipe Band
Killadeas Pipe Band
Moybrone Pipe Band
Tubrid Pipe Band
Cooneen Pipe Band
Knox Pipe Band,
Lack Pipe Band
Barr Pipe Band
Tievemore Pipe Band
Trillick Pipe Band



This painting by artist Hector McDonnell depicts the moment that the Queen crossed the street to visit St. Michael's Church after attending St. Macartin's Cathedral for the Diamond Jubilee Service in 2012. (Courtesy Monsignor Peter O'Reilly, St Michael's Church).

The Viscount Brookeborough KG Her Majesty's Lord Lieutenant for County Fermanagh.

"People throughout the Commonwealth and further afield will celebrate Queen Elizabeth's Platinum Jubilee and reflect on what her reign has meant to them. We, in Co Fermanagh, especially remember Her Majesty's visit in 2012 when she walked across the street from St Macartin's Church of Ireland Cathedral to St Michael's Roman Catholic Church and also her triumphant State Visit to The Republic of Ireland during the previous year. These two events have brought our divided communities closer together more than anything else that has taken place in the last 100 years. This Platinum celebration will be another important milestone for the cross community relations in our country and we are delighted to be lighting Beacons as part of it, bringing people together at one moment in time, celebrating this historic milestone in The Queen's life and in her reign too."



Pipe Majors at Enniskillen Castle, Northern Ireland.

Background photo: Princess Elizabeth's first visit to County Fermanagh in 1946.

Acknowledgements

Beacons

UK OVERSEAS TERRITORIES



ANGUILLA



FALKLAND ISLANDS



ASCENSION ISLAND



GIBRALTAR



BERMUDA



SAINT HELENA



BRITISH VIRGIN ISLANDS



**SOUTH GEORGIA &
THE SOUTH SANDWICH ISLANDS**

King Edward Point, South Georgia



CAYMAN ISLANDS



TRISTAN DA CUNHA

(The world's most remote inhabited island)



**SOVEREIGN BASE AREAS OF
AKROTIRI AND DHEKELIA**

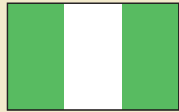


TURKS AND CAICOS ISLANDS

Acknowledgements

Beacons

AFRICA



Nigeria

City - Abuja
Rotary District 9125
District Governor Ayoola Oyedokun



Ghana

City - Accra
Rotary District 9102
Past Assistant Governor Andrews Jack Dotsey



The Gambia

City - Banjul
Rotary District 9101
District Governor Christopher Forster



Tanzania

City - Dar es Salaam
Rotary District 9214
District Governor Young Kimaro

COMMONWEALTH CAPITAL CITY BEACONS Regions



Coordinators: Rotary in London District 1130
District Governor – Selwyn Foreman
Assistant Governor – Sreetharan Vallipuram
Past President – Christine Wong JP

Rotary Districts involved



Sierra Leone

City - Freetown
Rotary District 9101
District Governor Christopher Forster



Botswana

City - Gaborone
Rotary District 9400
District Governor Stella Anyangwe



Uganda

City - Kampala
Rotary District 9213
District Governor John Ndamira Magezi



Rwanda

City - Kigali
Rotary District 9150
District Governor Edgar Cyr K. Tougouma



Malawi

City - Lilongwe
Rotary District 9210
District Governor Victor Mensah



Eswatini

City - Lobamba, Mbabane
Rotary District 9400
District Governor Stella Anyangwe



Zambia

City - Lusaka
Rotary District 9210
District Governor Victor Mensah



Mozambique

City - Maputo
Rotary District 9400
District Governor Stella Anyangwe

Acknowledgements

Beacons

ASIA



Lesotho

City - Maseru

Rotary District 9370

District Governor Madeleine (Maddy) Webber



Kenya

City - Nairobi

Rotary District 9212

District Governor Alex Nyaga



Mauritius

City - Port Louis

Rotary District 9220

District Governor Dinesh Gajeelee



South Africa

City - Pretoria

Rotary District 9400

District Governor Stella Anyangwe



Seychelles

City - Victoria

Rotary District 9220

District Governor Dinesh Gajeelee



Namibia

City - Windhoek

Rotary District 9350

District Governor Ian Robertson



Cameroon

City - Yaoundé

Rotary District 9150

District Governor Edgar Cyr K. Tougouma



Brunei Darussalam

City - Bandar Seri Begawan

Rotary District 3310

District Governor Dolly Yeap Siew Keat



Sri Lanka

City - Colombo

Rotary District 3220

District Governor Aruni Malalasekara



Bangladesh

City - Dhaka

Rotary District (3281)

District Governor Mutasim Billah Faruqui

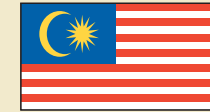


Pakistan

City - Islamabad

Rotary District 3272

District Governor Saifullah Ejaz Chouhdary



Malaysia

City - Kuala Lumpur

Rotary District 3300

District Governor Dato' Bindi Rajasegaran



Maldives

City - Male

Rotary District 3220

District Governor Aruni Malalasekara



India

City - New Delhi

Rotary District 3011

District Governor Anup Mittal



Singapore

City - Singapore

Rotary District 3310

District Governor Dolly Yeap Siew Keat

Acknowledgements

Beacons

CARIBBEAN & THE AMERICAS



St Kitts and Nevis

City - Basseterre, Charlestown
Rotary District 7030
District Governor Sonya Alleyne



Belize

City - Belmopan
Rotary District 4250
District Governor Nominee Maria Price
Immediate Past District Governor Orlando Burns



Barbados

City - Bridgetown
Rotary District 7030
District Governor Sonya Alleyne



St. Lucia

City - Castries
Rotary District 7030
District Governor Sonya Alleyne



Guyana

City - Georgetown
Rotary District 7030
District Governor Sonya Alleyne



Jamaica

City - Kingston
Rotary District 7020
District Governor Louis Wever



St. Vincent and The Grenadines

City - Kingstown
Rotary District 7030
District Governor Sonya Alleyne



Bahamas

City - Nassau
Rotary District 7020
District Governor Louis Wever



Canada

City - Ottawa
Rotary District 7040
District Governor Fay Campbell



Trinidad and Tobago

City - Port of Spain
Rotary District 7030
District Governor Sonya Alleyne



Dominica

City - Roseau
Rotary District 7030
District Governor Sonya Alleyne



Grenada

City - Saint George's
Rotary District 7030
District Governor Sonya Alleyne



Antigua and Barbuda

City - Saint John's
Rotary District 7030
District Governor Sonya Alleyne

Acknowledgements

Beacons

EUROPE



Cyprus

City - Nicosia
Rotary District 2452
Deputy District Governor Peter Ashdjian



Malta

City - Valletta
Rotary District 2110
Past District Governor John De Giorgio

PACIFIC



Samoa

City - Apia
Rotary District 9920
District Governor Steve Chaney



Australia

City - Canberra
Rotary District 9705
District Governor Leo Farrelly
Scenic Rim Regional Council, Queensland –
Tamborine Memorial Hall, Tamborine.



Tuvalu

City - Funafuti
Rotary District 9920
District Governor Steve Chaney



Solomon Islands

City - Honiara
Rotary District 9600
District Governor Wendy Protheroe



Tonga

City - Nuku'alofa
Rotary District 9920
District Governor Steve Chaney



Papua New Guinea

City - Port Moresby
Rotary District 9600
District Governor Wendy Protheroe



Vanuatu

City - Port Vila
Rotary District 9910
District Governor Grant Smith



Fiji

City - Suva
Rotary District 9920
District Governor Steve Chaney



Kiribati

City - Tarawa
Rotary District 9920
District Governor Steve Chaney



New Zealand

City - Wellington
Rotary District 9940
District Governor Mark Wheeler



Nauru

City - Yaren
Rotary District 9600
District Governor Wendy Protheroe

BEYOND THE COMMONWEALTH



Hawaii

City - Honolulu
Rotary District 5000
District Governor Sandy Matsui

Pipes & Drums - Roll of Honour

PLAYING OF DIU REGNARE

(Written by Pipe Major Stuart Liddell, Glenfiddich Champion Piper)

McCallum Bagpipes are delighted to support The Queen's Platinum Jubilee Beacons and in particular, the playing of Diu Regnare kindly written for this historic occasion by Pipe Major Stuart Liddell. Such an important milestone in The Queen's reign is of immense importance.

We are also pleased to supply a unique set of McCallum's MacRae SL4 Bagpipes by Stuart Liddell, complete with bag and maintenance kit, fully inscribed, for the piper that undertakes the playing of this unique tune from the most unusual location, at 9.09pm local time in the country they are in on 2nd June next year, as part of this unique celebration.



ENGLAND

Pipe Sergeant Ian Solesbury, City of Norwich Pipe Band – (Martham, Norfolk)
Pipe Major Simon Cater, Great Yarmouth Pipers – (Gorleston-on-Sea, Great Yarmouth, Norfolk)
Piper Allen Clement, Greenhead – (Haltwhistle, Northumberland)
Pipe Major Roger Bayes, City of Norwich Pipe Band

City of Leeds Pipe Band – (City of Leeds, West Yorkshire)

Pipe Major Andrew Neal
Pipe Sergeant Mhairi Sellar
Piper Alex Thomson
Piper Bob Green
Piper Danny Love
Piper David Danks
Piper George Anderson
Piper Gordon Laycock
Piper Jim Jack
Piper Paula Howes
Piper Richard Ashcrough
Piper Robert Lawson
Piper Robert Procter
Piper Sam Westerman
Piper Andy Tasker
Drummer Lead Tip Billy MacDonald
Drummer Amanda Liberty

Piper Robert Procter,
City of Leeds Pipe Band.



Pipes & Drums - Roll of Honour

Drummer George Harrison
Drummer Ian Turner
Drummer Stuart Richmond
Drummer Thomas Gallagher

Piper Joanne Goddard (Essex)
Piper Ken Beamer (St Helens, Merseyside)
Piper Jacob Millin (Cromer, Norfolk)
Piper Ian White (Willingdon & Jevington Parish Council, East Sussex)
Piper Mungo Akerman (Brightling, East Sussex)
Piper W Miller (Kingstone, Staffordshire)
Piper Mike Mackay, No band (Inverurie, Aberdeenshire)
Piper Gerard McDonald, Reading Scottish Pipe Band (Wokingham, Berkshire)
Piper Stephen Beattie (Alsager, Cheshire)
Piper Don Earl (St. Dennis, Cornwall)
Piper Brian Ross (High Bickington, Devon)
Piper Alex Drummond, Ringwood Pipe Band (Christchurch, Dorset)
Piper Angus O'Donnell (Pocklington, East Yorkshire)
Piper Gavin Davis, Pentland Caledonia (Currie, Edinburgh)
Piper Andrew MacGregor, The Essex Bagpiper (Braintree, Essex)
Piper Joanne Goddard (Bulphan, Essex)
Piper Steve Law (Norwich, Norfolk)
Piper Jacky Barnett (Pitstone, Buckinghamshire)
Piper Corinne Thomson (Romsey, Hampshire)
Piper Laura McEwan, Scots Guards Association (South). (Totland Bay, Isle of Wight)
Piper Mark Baker, Liverpool Clan Wallace Pipe Band (Liverpool, Merseyside)
Piper Graham Botcher, Glenmoriston Pipe Band (Attleborough, Norfolk)
Piper Steve Law (Norfolk)
Piper Hugh Gillies, North Yorkshire Fire and Rescue Pipe Band (West Tanfield, North Yorkshire)
Piper Mark Harrison (Nuthall, Nottinghamshire)
Piper Rod Caird (Henley, Suffolk)

Britannia Pipe Band (Feldsted, Essex)

Piper Iain Geddes
Piper James Geddes
Piper Victoria Geddes
Piper Janet Johnston
Piper Kier Johnston
Piper Lorna Johnston

Piper Ian Anderson (Southend-on-Sea, Essex)
Piper Ken Fitzpatrick (Dunston, Gateshead)
Piper Ed Arnold, Tameside and Glossop Integrated Care NHS Foundation Trust (Ashton-Under-Lyne, Greater Manchester)
Piper Pauline Nash, Rose Fletcher Ladies Pipe Band (Moston, Manchester, Greater Manchester)
Piper Bernadette Smith, St Andrews Pipe Band (Hamble, Hampshire)
Piper David Smith (Horndean, Hampshire)
Piper Finn Miller (Winchester or North Waltham, Hampshire)
Piper George Carr, Harpenden Pipe Band & RAF Bruise Norton Pipes and Drums (Borehamwood, Hertfordshire)
Piper Charles Mackie, Black Watch London (Dartford, Kent)
Piper Ryan Guthrie, City of Preston Pipes and Drums (Lancaster, Lancashire)
Piper Colin Murphy, Manchester Community Pipe NAND (Leigh, Lancashire)
Piper Philip Da Silva, Piper ex Preston Pipes & Drums (Lytham St Annes, Lancashire)
Piper Alan Webster (Preston, Lancashire)
Piper Iain Cairn MacGillivray Sutherland (Whittington, Carnforth, Lancashire)
Piper Sally Mason (Ancaster, Lincolnshire)
Piper Peter Abbott, Grimsby and District Pipe Band (Grimsby, Lincolnshire)

The Great Yarmouth Pipers (Gorleston, Norfolk)

Pipe Sergeant Tom Foster
Pipe Corporal Adrian Nicholls
Piper Stanley King

Piper Jan Hawkins, The Highland Pipes and Drums Ensemble (Hingham, Norfolk)
Piper John Innes (Stoke Holy Cross - Exact Location To Be Confirmed, Norfolk)
Piper Aidan Hindley, Solo (Belton, Doncaster, North Lincolnshire)
Piper John O'Boyle (New Holland, North Lincolnshire)
Piper John Anderson (Weedon Bec, Northamptonshire)
Piper William Patrick (Weedon Bec, Northamptonshire)
Piper Gill Lyons, Alnwick Pipers Society (Alnwick, Northumberland)
Piper Andrew Miller, Rothbury Highland Pipe Band (Rothbury, Northumberland)
Piper Steven Purchase, Seaforth Highlanders Notts Branch (Mansfield, Nottinghamshire)
Piper Kal Vaikla, Seaforth Highlanders Nottingham Branch (Mansfield Woodhouse, Nottinghamshire)
Piper Stuart Gullen, Seaforth Highlanders Notts&Leicester Branches (Mansfield Woodhouse, Nottinghamshire)
Piper John Roulstone (Nottingham, Nottinghamshire)
Piper Vicki Kennerley, Wolverhampton Pipeband (Nottinghamshire)
Piper Harry Gow, Oxford Pipe Band (Brightwell-cum-Sotwell, Oxfordshire)
Piper Prof Alan F Harrison (Charlbury, Oxfordshire)
Piper William Mackenzie Smith, Reading Scottish Pipe Band (Oxford, Oxfordshire)

Pipes & Drums - Roll of Honour

- Piper Angus Whitfield, Oxford Caledonian Pipe Band (tbc, Oxfordshire)
Piper Casper Whitfield, Abingdon School (tbc, Oxfordshire)
Piper Tony Hurst, The Wiltshire Piper (Uffington, Oxfordshire)
Piper James Buchanan (Belton in Rutland, Rutland)
Piper Jim Stanley, Harbour Pipes and Drums (Hedge End, Southampton)
Piper Graham Prebble, RAF Pipes & Drums (TBC, TBC)
Piper Alan Robinson (Newcastle upon Tyne, Tyne and Wear)
Piper Alex Brennan, 102 R.E.M.E. Battalion Pipes and Drums. (Whitley Bay, Tyne and Wear)
Piper Peter Lambert, City of Bradford Pipe Band (Rawdon, Leeds, West Yorkshire)
Piper Dave Surtees (Chilmark, Wiltshire)
Piper Ian Mitchell (Thornton Bradford, Yorkshire)
Piper Jaqueline Mitchell (Thornton Bradford, Yorkshire)
Piper Brian McGivenor (Town Square, Shefford, Bedfordshire)
Piper Ivan Brooks – (Hartlip Village Hall, Hartlip, Kent)
Piper Tricia Drawbridge – (Sudbury Town Piper, Sudbury, Suffolk)
Piper Robert Wilson – Samlesbury Memorial Hall, Preston)
Piper James Meiklejohn (Siston, Gloucestershire)
Piper Ivan Hubbard (Bassingbourn-Cum-Kneesworth, Cambridgeshire)
Piper Bill McKay (Urmston, Manchester)
Piper Ray Russell (Thetford and Hockwold cum Wilton, Norfolk)
Piper Sue Ribson (Brightwell-cum-Sotwell, Oxfordshire)
Piper Tricia Drawbridge, Sudbury Town Piper (Sudbury, Suffolk)
Piper Roland Lawson (Carlisle, Cumbria)
Piper Ivan Brooks, Hartlip Parish Council (Hartlip, Kent)
Piper Andy Burton, Friends of Cliff Recreation Ground (Holmfirth, West Yorkshire)
Piper Major Robin Bartholomew, St Andrews Pipe Band Hamble le Rice (Southampton, Hampshire)
Piper Graham MacAusland, Flt Lt RAF (Retd), (Southwold, Suffolk)
Piper David Gillingwater, Aldeburgh Town Council (Aldeburgh, Suffolk)
Piper Bernard Farmer, Bolton Caledonia Pipe Band (Irlam, Manchester, Lancashire)
Piper Andy Raeburn, Bolton Caledonia Pipe Band (Irlam, Manchester, Lancashire)
Piper Colin King, City of Preston Pipes and Drums (Preston, Lancashire)
Piper Will Bissett (Englefield Green or Windsor Great Park, Surrey)
Piper George Rokahr, Retired (Old Catton, Norwich, Norfolk)
Piper John Gabbetis, City of York Pipe Band (Stamford Bridge York, York)
Piper Pete Murray-Jones (Lee-on-the-Solent, Hants)
Piper Finlay MacGhee, International Bomber Command Centre (Lincoln, Lincolnshire)
Piper Ken Fitzpatrick (Dunston, Gateshead)
Piper Ian Pool (Telford, Shropshire)
Piper Susan Craven, Northumbrian Smallpipes (Northumberland)
- Piper Matthew Harriett (Winchelsea, East Sussex)
Piper Andy Downs, Bradfield Parish Council (Bradfield, Essex)
Piper Linda Carpenter (Herne Bay, Kent)
Piper Christopher McNeilly, Hythe Town Council (Hythe, Kent)
Piper Ray Russell, Thetford Town Council (Thetford, Norfolk)
Piper Bob Ash, The Surrey Pipe Band (Woldingham, Surrey)
Piper Clint Hayes, Teignmouth Town Council (Teignmouth, Devon)
Piper Duncan Matthews, Royal Navy Pipe Band Association (Havant, Hampshire)
Piper Tom Curd (Bexhill On Sea, East Sussex)
Piper Nick Tysoe, Northampton Pipe Band (Geddington, Northamptonshire)
Piper Mark Shakeshaft, Wolverhampton Pipe Band (Wolverhampton, West Midlands)
Piper Peddar Long, Calderdale Council (Halifax, West Yorkshire)
Piper Gary Anderson, Burgess Hill Town Council (Burgess Hill, West Sussex)
Piper John Atkinson, Stanhope Parish Council (Stanhope, County Durham)
Piper J. Goddard, Thurrock Council (Horndon-On-The-Hill, Essex)
Piper Major Edwin Palin, Sutherland Pipes & Drums (Purfleet-on-Thames, Essex)
Piper Simon Bredin (Ramsden Heath, Essex)
Piper William Diamond, Capel St Mary Parish Council (Capel St. Mary, Ipswich)
Piper Dr Cooney, Bembridge Parish Council (Bembridge, Isle of Wight)
Piper Keith Arnott, Skellingthorpe Parish Council (Skellingthorpe, Lincolnshire)
Piper Daniel Fleming, Humberside police (Humber Bridge/ Cleethorpes, N E Lincolnshire)
Piper Denise Ramsbottom, City of Norwich Pipe Band (Drayton, Norfolk)
Piper Graham Pryor, Wroxham Parish Council (Neatishead, Norfolk)
Piper Mark Chesman, Highland Piper - Mark Chesman (Crowle, North Lincolnshire)
Piper Leigh Adams, Felixstowe Town Council (Felixstowe, Suffolk)
Piper Barry Patterson, The Rollright Trust (Long Compton, Warwickshire)
Piper Roy Davidge, Chorley croft and Culcheth (Bodedern holyhead, Anglesey)
Piper Neil Gauld (Aldermaston, Berkshire)
Drummer Andy Butler, Essex Caledonian Pipe Band (Witham, Essex)
Piper Rhys Thompson (Gloucestershire)
Piper Frederick White (Eastnor, Herefordshire)
Piper Colin Spence, Liverpool Clan Wallace Pipe Band (Hale Bank, Merseyside)
Piper Major Stan Hebborn, Phoenix Pipes & Drums (Watton, Norfolk)
Piper Abbie Kerr (Bedale, north yorkshire)
Piper Jamie Swainston (Billingham John Whitehead Park, North Yorkshire)
Piper Corporal Piper Ross D Rankine, Zeal Global Maritime (Bilsthorpe/Eakring, Nottinghamshire)
Piper John Roulstone (Nottingham, Nottinghamshire)
Piper Major Andrew Cranfield (Cucklington, Somerset)
Piper Major Paul Hamilton, S/Tyneside Council - P/Maj RSPBA reg to HLSPB (South Shields, South Tyneside)

Pipes & Drums - Roll of Honour

Pipe Major Terence Walters, City of Sheffield Pipe Band (SHEFFIELD, South Yorks)
Piper Andy DeComyn (Birmingham, West Midlands)
Piper Jonathan Swift, Southern Jacobites (Marlborough, Wiltshire)
Piper Anthony Nolan, City of Newcastle (Crathorne Village, Yarm)

Kernow Pipes and Drums

Pipe Major Nigel Warmington
Piper Adam Bowkett
Piper Matthew Campbell
Piper John Christophers
Piper Alex Dryden
Piper Craig Davidson
Piper Allan Downie
Piper Keith Garner
Piper Mike Heaslip
Piper Felicity Hood
Piper David Hutchison
Piper Don Lewis
Piper David Maitland
Piper Alec McColl
Piper Ali Robinsor
Piper Emma Stringer
Drummer Steve Dowley – Lead Tip
Drummer Henry Bowkett
Drummer Matthew Bennetts
Drummer Vic Coop
Drummer Kelvyn Cruddace
Drummer Anita Nall
Drummer Chris Nixon
Drummer Sue Robertson
Drummer Shoalie Taylor
Drummer Ed Watson
Drummer Henry Bowkett

Northumbrian Pipers

Northumbrian Piper Andrew Davison OBE – Chairman, Northumbrian Pipers' Society – (Hexham, Northumberland)
Northumbrian Piper Tom Fairfax – (Mindrum, Northumberland)
Northumbrian Piper Freddie Fairfax – (Uppingham, Rutland)
Northumbrian Piper Dr Gill Jennifer Lyons – (Alnwick, Northumberland)

Northumbrian Piper – Philippa Sinclair
Northumbrian Piper Anne Ramsay – (Heaton, Newcastle upon Tyne)
Northumbrian Piper David Stych – (Kirby Misperton, North Yorkshire)
Northumbrian Piper Helen Capes – (President, New Zealand Northumbrian Pipers Society)
Northumbrian Piper Moira Hague – (Macclesfield, Cheshire)
Northumbrian Piper Louise Woodman (Gosforth, Newcastle-upon-Tyne)
Northumbrian Piper Susan Craven (North Broomhill, Northumberland).
Northumbrian Piper Jim Fenwick (Alnwick, Northumberland)
Northumberland Piper Neil Tavernor – (Poynton, Cheshire East)
Northumbrian Piper Carole Axford – (Chelmsford, Essex)
Northumbrian Piper Janet Allan – (Tyne and Wear, Newcastle upon Tyne)
Northumberland Piper Sally Barker – (Chatton, Northumberland)
Northumbrian Piper Thomas Ripon – (Longhoughton, Northumberland)
Northumbrian Piper Bob Turner – (Ponteland, Northumberland)
Northumbrian Piper Sophie A Fraser – (Morpeith, Northumberland)
Northumbrian Piper Rachel Parsons – (Rendlesham, near Woodbridge, Suffolk)
Northumbrian Piper Nigel Thomas Barlow – (Forest Hall, Newcastle upon Tyne)
Northumbrian Piper Ednie Wilson – (Ryton, Gateshead, Tyne and Wear)
Northumbrian Piper John Lincoln – (Alness, Easter Ross, Scotland)
Northumbrian Piper Richard Shuttleworth – (Quebec, Canada)
Northumbrian Piper Carolyn Soakell - (Oxford, Oxfordshire)
Northumbrian Piper Brian Lawrenson (Newport-on-Tay, Fife, Scotland)
Northumbrian Piper Helen May Lawrenson (Newport-on-Tay, Fife, Scotland)
Northumbrian Piper Elizabeth Miere nee Lawrenson (Mont Es Croix, St Brelade, Jersey, Channel Islands)
Northumbrian Piper Dorothy Lawrenson (Edinburgh, Scotland)
Northumbrian Piper Michael Evans (Middleton St George, County Durham)
Northumbrian Piper Martin Luff (Totnes, Devon)
Northumbrian Piper Myrna Luff (Totnes, Devon)
Northumbrian Piper David Cook (Durham, County Durham)
Northumbrian Piper Julia Goudge (Middleton St George, Darlington, County Durham)
Northumbrian Piper Anthony Nixon (Croydon, Surrey)
Northumbrian Piper John Stockdale (Littleton, Cheshire)
Northumbrian Piper Nick Leeming (Haltwhistle, Northumberland)
Northumbrian Piper Timothy Jones (Yarm, North Yorkshire)
Northumbrian Piper Christine D. Goodwin (Whitley Bay, North Yorkshire)
Northumbrian Piper Ann Sessoms (Shiremoor, Newcastle upon Tyne)
Northumbrian Piper Peter Janes (West Harptree, Somerset)
Northumbrian Piper Andrew Lawrenson (St John's, Benwell, Tyne and Wear)
Northumbrian Piper Peter Janes, NORTHUMBRIAN PIPERS (West Harptree, Somerset)
Northumbrian Piper Jane Wild (Fulwood, Preston, Lancashire)

Pipes & Drums - Roll of Honour

Clanaulder-Clayton Pipers (Clayton, Bradford, West Yorkshire)

Piper John Balderson
Piper Keith Davey
Piper Ian Derick
Piper Ken Oldfield

City of Bradford Pipe Band (Bradford, West Yorkshire)

Piper Anne Betty
Piper Ben Gillan
Piper Bob Jenkins
Piper Peter Lambert
Piper Barbara Leddy
Piper Ian Sabiston
Drummer Adam Fenton
Drummer Jim Leddy
Drummer Andy Newton
Drummer Robert Newton
Drummer Vicky Reynolds
Drummer Paul Tyson
Drummer Val Wolff

Piper Colin Cambell (Renhold, Bedfordshire)

Piper Neil Palmer (Great Shefford, Berkshire)

Piper Clint Hayes, Plymouth pipes and drums (Tiegnmouth, Devon)

Piper Carol Knights, St Andrew's Pipeband (Hamble, Hampshire)

Piper Geoff Taylor, City of Norwich Pipe Band (North Wootton, Norfolk)

Piper Peter Jamieson, Tadcaster Town Council (Tadcaster, North Yorkshire)

Piper C David Gillingwater, Suffolk Piper Hire (Aldeburgh, Suffolk)

Piper Andrew Nimmons (Beyton, Suffolk)

Piper Chris Crouch (Lichfield, West Midlands)

Piper Robert Hills (Lacock, Wiltshire)

Piper David Anwyl (Warrington, Cheshire)

Piper Ruth Wright, Bishop Auckland Pipes and Drums (St Helen Auckland, Durham)

Pipe Major Mark Jamieson, East Riding Pipe Band (Driffield, East Riding of Yorkshire)

Piper Keith Wilson, Britannia Pipe Band (Southend-on-Sea, Essex)

Piper Bronwyn Heywood (Adlestrop, Gloucestershire)

Piper John Adams (New Milton Residents Associates, Hampshire)

Piper Hamish MacLeod (Stevenage, Hertfordshire)

Piper Trevor Gibson (Lytham St Annes, Lancashire)

Piper Anthony Beauchamp (Frome, Somerset)

Piper Craig McFarlane, ex Scots Guards (Glastonbury, Somerset)

Piper Peter Hutchings, Parish of Lavenham (Lavenham, Suffolk)

Piper Robert Reid, RAF Central Scotland (Windsor, Berkshire)

Piper Michael Quinn, City Of Manchester Pipe Band (Stoke on Trent, Staffordshire)

Piper Stewart York (Woodland, County Durham)

Piper Allan Wither (Between Sutton Bassett & Weston by Wellend, Northamptonshire)

Piper John Jamieson, Reading Scottish Pipe Band (Odiham, Hampshire)

Piper John Ash, Haywards Heath Town Council (Haywards Heath, West Sussex)

Piper John Stafford, 102 Battalion Pipes & Drums REME (Consett, Durham)

Piper Craig Irving (Dalston, Cumbria)

Piper Chic Mackie (Chelmsford, Essex)

Piper Roger Dubarry-Lassalle, Spetisbury Parish Council (Spetisbury, Dorset)

Piper Neil Gauld, Aldermaston Parish Council (Aldermaston, Reading)

Piper Billy Wardrope, Ceilidh Tree (Tetbury, Gloucestershire)

Piper John Swales (Haverigg, Millom, Cumbria)

Piper Colin Taylor (Mortimer, West berks)

Pipe Major Andy Walker, Shirley Pipe Band (Leamington Spa, Warwickshire)

Piper Richard Smith, Reading Scottish Pipe Band (Sherfield on Loddon, Hampshire)

Drummer Michelle Mingay, Phoenix Pipes And Drums (Watton, Norfolk)

Piper Edwin Saxby, City of Norwich Pipe Band (Bungay, Suffolk)

Piper Ian Ashley, Battlepipes (Ripley, Derbyshire)

Piper Terence Dedman, Ipswich Piping Society (Ipswich, Suffolk)

Piper Colleen Scott, Hurst Village Jubilee Celebration (Hurst, Berkshire)

Piper Roger Hicks, None (Nr Honiton, Devon)

Piper Charlie Nicholls, Exeter and Exmouth District Pipe Band (Chudleigh Knighton, Devon)

Piper Anthony Nolan, Crathorne Estate (Crathorne, Yarm, North Yorkshire)

Piper Lisa Gregory, Parwich Memorial Hall Management Committee (Parwich, Derbyshire)

Piper Abbie Kerr (Bedale, North Yorkshire)

Piper John Atkinson-Millmoor, Bishop Auckland Pipes and Drums (Eastgate, Weardale, County Durham, Stanhope Parish Council)

Piper Major Giles Low, Ghillie Pipers (Witleigh, Devon)

Piper Alan Cowie, Christchurch Bourgh Council (Christchurch, Dorset)

Piper Malcolm Corrigan, (Tanfield Lea, Durham)

Piper Isabella Foster, Gatwick Caledonian Pipe Band (Horam Scout Group & Horam Parish Council, East Sussex)

Piper Richard Brookes, (Seaford, East Sussex)

Piper Richard Brookes, (Seaford, East Sussex)

Pipe Major Stephen Marshall, Harpenden Pipe Band (Harpenden, Hertfordshire)

Piper Thomas Crawley (London)

Piper Thomas Crawley (London)

Piper Richard Dawson, RASC/RCT ASSOCIATION NORFOLK and NORWICH BRANCH

(Winterton On Sea, Norfolk)

(Winterton On Sea, Norfolk)

Piper Henry Biddulph (Swallowcliffe, Salisbury, Wiltshire)

Piper Andrew Wolf (Moorlinch, Somerset)

Pipes & Drums - Roll of Honour

Piper Michelle Mingay, Phoenix Pipes And Drums (Ringsfield, Beccles, Suffolk)
Piper Peter Reeves (Bacton, Suffolk)
Piper Howard Gilbert (Ashtead, Surrey)
Pipe Sergeant Derek Derbyshire, Scots guards Association - Manchester (Barley, Lancashire)
Piper Alan Vaughan, Reading Scottish Pipe Band (Reading, Berkshire)
Piper Dennis Shaw (Newbury, Berkshire)
Piper Fred Hodges, Blackmore Village Fayre Committee (Blackmore, Essex)
Pipe Major Robin Bartholomew, St Andrews Pipe Band Hamble le Rice (Gosport, Hampshire)
Piper Andrew Johnson, The First Greenhithe Highlanders Piper Club (Hartley, Kent)
Piper Ken Beamer, Maghull Folk Club (Maghull, Merseyside)
Piper George The London Bagpiper, Holt Town Council (Holt, Norfolk)
Piper Roderick Elder, Northampton Pipe Band (Piddington / Hackleton, Northamptonshire)
Piper Ednie Wilson, (Ryton, Tyne and Wear)



SCOTLAND

Pipe Major Stuart Liddell, Inveraray & District Pipe Band – (Inveraray, Argyll and Bute)
Ross Ainslie – (Glasgow)
Pipe Sergeant Gordon Casely, Banchory Pipe Band –
(Nine Stanes Stone Circle, Banchory, Kincardineshire)
Piper Martin Johnstone, Piper to the Braemar Royal Highland Piping Society – (Princess Royal
Duke of Fife Memorial, Braemar, Aberdeenshire)
Piper Peter Wood – (Sandwick, Shetland Islands)
Piper William McCallum – Bearsden, East Dumbartonshire – (Cambeltown, Argyll & Bute)
Pipe Major Ben Duncan – Royal Scots Dragoon Guards Pipes and Drums
Pipers Stuart McCallum & Piper Kennie MacLeod – McCallum Bagpipes (Kilmarnock, East Ayrshire)
Piper Archie Cowie, 9 years old – Banchory Pipe Band (From the summit of Bennachie, Aberdeenshire)

Delgatie Castle Pipers (Delgatie Castle, Turriff, Aberdeenshire)

Piper Major Lady Jane MacRae
Drum Major Alexander Aitken
Pipe Sergeant Stuart Thomson
Piper James Mason
Piper Richard Learmouth
Piper Andrew MacKenzie
Piper Joan Johnson
Piper Melenie Horridge
Piper Chris Horridge

Gordonstoun Pipe Band - Moray

Pipers Jacqueline Gibson
Piper Michael MacLugash (Alford, Aberdeenshire)
Piper Pamela Rotheroe-Hay, Ballater and District Pipe Band (Balmoral, Aberdeenshire)
Piper Donald Downie (West Mains of Ethie, Angus)
Piper Scott Wilson, Dunoon Argyll PipeBand (Dunoon, Argyll)
Piper Duncan MacLeod, Dunoon Argyll Pipe Band (Sandbank,, Argyll)
Piper Andrew (Drew) Crockett, Playing solo (current member of Helensburgh CC Pipe Band and
formerly the Argyll & Sutherland Highlanders Pipe Band) (CARDROSS, Argyll & Bute)
Piper John Bissett (Barrhill, Ayrshire)
Piper John Stewart (Irvine, Ayrshire)
Piper Grant Angus (Crovie, Banff)
Piper John Duthie, Glasgow Highland Club (Glasgow, City of Glasgow)
Piper Alexander Brodie (Dundee, Dundee)
Piper Gavin Halliday (Glasgow, East Dumbartonshire)
Piper Flynn Porter (Lenzie, East Dumbartonshire)
Piper John McIntyre, Dunfermline & District (RBL Scot) Pipe Band (DUNFERMLINE, Fife)
Piper Brooklyn Morris, Burntisland & District Pipe Band (Hillend, Fife)
Piper Paul Hendry, Unattached (Rosyth , Dunfermline, Fife)
Piper Tabby Angier (Drumnadrochit, Highlands)
Piper Gavin Robertson, Solo Inverness British Legion Ps & Ds (Inverness, Inverness-shire)
Piper William Shaw, Last of the Summer Wine Pipers (Glasgow, Lanarkshire)
Piper Calum Macleod, Lothian and Border Pipe and Drums (Danderhall, Midlothian)
Piper Richard Montgomery, Glencorse pipe band (Mayfield, Midlothian)
Piper Alan Harrison, Comrie Pipe Band (Comrie, Crieff, Perth & Kinross)
Piper Stuart Letford (Dunkeld, Perth & Kinross)
Piper Diarmid Mackenzie Smith (Methven, Perthshire)
Piper Jonathan Stranix, City of Inverness (Ullapool, Ross and Cromarty)
Piper Andrew Wallace, Strathendrick Pipe Band (Strathblane, Stirlingshire)
Pipe Major Scott Methven, Former Queen's Piper (Thornhill, Stirlingshire)
Piper Lorna Doig (Dundee, Tayside)
Piper Martin Doig (Dundee, Tayside)
Piper Mark Morrison (Dumbarton, West Dumbartonshire)
Piper John Johnstone (Legion Hall, Wilkieston, Kirknewton, West Lothian)
Piper Ross Colquhoun, Uphall Station Pipe Band (Uphall Station, West Lothian)
Piper Gordon McCready (Renfrew, West Renfrewshire)
Piper John Paton – (Rutherglen West and Wardlawhill Parish Church - Lanarkshire)
Piper Gerry Swan (Perth, Perthshire)
Piper Lynzie Mack (Top of Dumyat Hill, Menstrie Clackmannanshire)

Pipes & Drums - Roll of Honour

Banchory and District Pipes and Drums (Banchory, Aberdeenshire)

Pipe Major Andy Cowie
Piper George Alne
Piper Stuart Archer
Piper Don Black
Piper Harry Chalmers
Piper Freya Coughlin
Piper Ronny Coughlin
Piper Gordon Cruikshank
Piper Karina Dublowski
Piper Renzo Girardi
Piper Jack Hardy
Piper Kieran Hopkins
Piper Kevin Jappy
Piper Jack Lawrence
Piper Jeff Lawrie
Piper Tom Lawrie
Piper Mike Mecham
Piper Nicky Morrisey
Piper Brian Morrison
Piper John Murray
Piper Dan Pewter
Piper George Pierce
Piper Ed Richmond
Piper Lynette Ross
Piper Michael Sawston
Piper Daisy Shaju
Piper Neil Shaju
Piper Lee Taylor
Piper Stewart Thompson
Drummer Anna Aitken
Drummer Patrick Bridges
Drummer Bryan Crighton
Drummer Neil Ferguson
Drummer Alison Geddes
Drummer Alec Hunter
Drummer Ian Mullen
Drummer Ross Munro
Drummer Bill O'Shea
Drummer Tony Sinclair

Drummer Chris Stockdale
Drummer Gordy Thompson

Pipe Major Ian Stuart, Huntly and District Pipeband (Huntly, Aberdeenshire)
Piper Raymond Munro, Solo Piper (Inverurie, Aberdeenshire)
Piper Drew McLellan, Kintyre Schools Pipe Band (Campbeltown, Argyll and Bute)
Piper Graeme Ross, Solo (Alloa, Clackmannanshire)
Piper James White, Dfs woodworks (Dumfries, Dumfries and Galloway)
Piper Ronnie Dinsmor (Baillieston, Glasgow)
Piper Duncan Lamont, HM Forces - Royal Corps of Signals (St Fillans, Crief, Perthshire)
Piper Greg Stewart, Strathendrick Pipe Band (Strathblane, Stirlingshire)
Piper Major Mark Black, Royal Corps of Signals Pipes and Drums
Piper Major Alan Mackenzie, Isle of Skye Pipe Band (Portree, Isle of Skye)
Piper Lewis Kinnell, Boghall and Bathgate Caledonia Pipe Band (Eliburn Livingston, West Lothian)
Piper Fiona Caldwell (Hopeman, Moray)
Piper Scott Manson (Ayr, Ayrshire)
Piper Fraser Cruikshank, Hoddum & Kinmount Estate (Lockerbie, Dumfries and Galloway)
Piper James Gillies (Midlothian)
Piper Gemma McVey, Overtown Parish Church (Overtown, North Lanarkshire)
Piper Janette Greenwood (Springs, South Ayrshire)
Piper Neil Swan, Neil Swan Piping Services (Gorebridge, MidLothian)
Piper Bob Rayson (Leith, Edinburgh)
Piper Kaya Tatar, Caledonian Piping Club (Saltcoats, Ayrshire)
Piper Alistair Graham, Dunfermline and District (RBL Scot) Pipe Band (Tillicoultry, Clackmannanshire)
Piper Ian Milne, East Kilbride Pipe Band (Rowardennan, Trossachs)
Piper Iain Cox, Troon Blackrock Pipe Band (South Ayrshire)
Piper Richard Fairnie (Stenton, East Lothian)
Piper Steven MacQueen, Lewis (Stornoway, Isle of Lewis)
Piper George McKeand, Irvine & District Pipe Band (Irvine, North Ayrshire)
Piper John Thomson (Knapp by Longforgan, Perthshire)
Piper John Channon, Forres & District Pipe Band (Forres, Moray)
Piper Tyrone Marwick, (Condorrat, North Lanarkshire)
Piper Andrew Earle, Earle Bagpiping (Kilmory, Isle of Arran)
Piper Ian Mackay, (Perth, Perth & Kinross)
Piper Major Chris Craigie, Kirkwall City Pipe Band (Kirkwall, Orkney Islands)
Piper Alexander (Sandy) Hardie, Inverurie Pipe Band (Old Rayne, Inch, Aberdeenshire)
Piper Sergeant Kevin Bell, Royal burg of Annan (Annan, Dumfries and Galloway)
Piper Lewis Maxwell, Stirling & District Schools Pipe Band (Alva, Clackmannanshire)
Piper Calum Pearson (Peterhead, Aberdeenshire)
Piper Jamie MacGregor, Dunollie Museum, Castle & Grounds (Oban, Argyll)
Piper Jim Anderdon, Methil & District Pipe Band (Kennoway, Fife)

Pipes & Drums - Roll of Honour

Turriff & District Pipe Band (Turriff, Aberdeenshire)

Pipe Major Andrew Gray
Piper Aimee Howitt
Piper William Hepburn



WALES

Pipe Major David Clement QPM, Pipes & Drums of the Tyneside Scottish TA Band – (Gowerton, South Wales)
Piper Sean Slater – (Olmarch, Ceredigion)
Piper Graham Phillips – (Pembroke Dock Town Council, Pembrokeshire, Wales)
Piper Sergeant Richard Davies-Cooke, Wirral Pipe Band (Hope, Flintshire)
Piper Sergeant Kris Hanlon, Henllys pipes and drums (Hah on wye, Wales)
Piper Andrew Young, (Overton-on-Dee, Wrexham)
Piper Keith Wellings (Letterston, Pembrokeshire)



NORTHERN IRELAND

Pipe Major Richard Parkes MBE, Field Marshall Montgomery Pipe Band
Piper Kristian Hanna, Pipes and Drums of the Police Service of Northern Ireland (Ballymena, Antrim)
Piper Grahame Harris, Campbell College Pipes and Drums (Belfast, County Antrim)
Piper Andrew McIlwaine, Tullylagan Pipe Band (Magheramason, Londonderry)
Piper Mark Smyth, Northern Ireland Centenary Piper (Royal Hillsborough, Down)
Piper Major Sam Gill, Hollymount Pipe Band (Ballynahinch, Co Down)
Piper Gary Ripley-McElvogue (Belfast, County Down)
Piper ALAN WADE (Ballycastle., County Antrim)
Piper Robert Bratty, Royal Logistic Corp Pipes and Drums (Coleraine, County Londonderry)
Piper Jade Cooke, Cleland Memorial (Bangor, Down)
Piper Shaun Townsley, Cleland Memorial (Donaghadee, Down)
Piper Major Cecil Jones, Enniskillen pipe band (Enniskillen, Co Fermanagh)
Piper Jack McGowan, Schomberg Society Kilkeel (Kilkeel, Co Down)



ISLE OF MAN

Piper Vladimir Stefanov, Vlad the Piper (St. Johns, Isle of Man)
Piper Paul Davenport, Skirl Pipers (Isle of Man)
Piper Steve Cretney



JERSEY

Piper Gregor Allan, Jersey Pipe Band (St. John's Village, Jersey)



AUSTRALIA

Pipe Major Alisdair McLaren, West Australian Police Force – (Perth)
Piper Major Matt Fraser, Hawthorn Pipe Band – (Melbourne)
Piper Laura Johnstone, Inveraray & District Pipe Band – Sydney)
Australian Federal Police Pipes & Drums (Canberra, Australia)
Piper Major Stephen Ladd
Piper Sergeant Nicole Koenig
Piper Corporal Michael Challen
Drum Major Steven Terrance
Drum Sergeant Michelle Hecker
+ (12-16 Pipers & 6-8 Drummers)

Piper Alister Smith, Maclean & District Pipe Band (Maclean, New South Wales)
Piper Geoffrey Kinchin, Rainbow Celtic Folk (Taree, New South Wales)
Piper Mark Gerber (West Pennant Hills, New South Wales)
Piper Kane Johnston, Gladstone Thistle Pipe Band (Biloela, Queensland)
Piper Charlie Elliott (Brisbane, Queensland)
Piper Pete Murray (Caloundra, Sunshine Coast, Queensland)
Piper Barry Baldwin (Maroochydore, Queensland)
Piper David Moody, Ormiston Heritage Pipes and Drums (Scarborough, Queensland)
Piper Ian Reid, RSL Memorial Pipes & Drums Townsville (Townsville, Queensland)
Piper Don Ormiston, Ambulance Victoria pipes and drums (Melton, Victoria)
Piper Alistair MacCallum, Sale RSL Pipe Band (Sale Victoria, Victoria)

Pipes & Drums - Roll of Honour

Piper Darral Wilkie (Hillside Garden Village, Mount Richon, Western Australia)
Piper Andrew Head (Winthrop, Western Australia)
Piper Cameron Bell, Professional Bagpipe Services - Australia (Malua Bay, New South Wales)
Piper James Black (Brisbane, Queensland)
Captain Lionel Boxer, 5/6 RVR Pipes and Drums (South Melbourne, Victoria)
Piper Christopher Tabram, The Highlands Pipes and Drums (Robertson, New South Wales)
Piper Stuart Ross (Launceston, Tasmania or Western Australia at sea)
Piper Oliver Calman (Sydney, New South Wales)
Piper Keith Blyth, City of Onkaparinga Pipe Band (McLaren Vale, South Australia)
Piper David Carr (Guildford 6055, Western Australia)
Piper Andrew Caveney (Sydney, New South Wales)
Piper Deborah Wells (Sydney, New South Wales)

Port Macquarie Hastings Pipes & Drums (Port Macquarie, New South Wales)

Pipe Major Joy Mackenzie
Pipe Sergeant Jenny Mackenzie
Piper Terry Crossley
Piper Neil Glass
Piper Heather Lanesbury
Piper Gienn Nisbet
Piper John Rutherford
Piper Brian Stringer
Piper Anne Stroud
Drum Sergeant Kerry Austin
Drummer Hubert Biram
Drummer Joanna Buchan
Drummer Gerry Burnett
Drummer Wendy Coulls
Drummer Paul Goss
Drummer Kathy Parry
Drummer Jim Turnbull

Blue Mountains Pipe Band (Katoomba, New South Wales)

Pipe Sergeant Michael Brownlee
Pipe Major Gordon Maxwell
Piper William Borthwick
Piper Chris Brownlee
Piper Tomas Manwaring
Piper June McLeish
Piper Jake Wells

Drum Sergeant Malcolm Ridgley
Drummer Kayla Aitken
Drummer Kyle Aitken
Drummer Glen Benson
Drummer Vanessa Ridgley

Piper David Greenhalgh, Scenic Rim Regional Council (Tamborine, Queensland)
Piper Aiton Sheppard, Ex Perth Highland Pipe Band, Perth, Western Australia (Joondalup, Western Australia)
Piper Eddie Carnegie, Playing with David Carr (Guildford, Western Australia)



AUSTRIA

Piper Stefan Kühnel (Grödig, Salzburg)



BELGIUM

Piper Rudi Driesen, Clan Hay Pipe Band (Stabroek, Antwerpen)



BERMUDA

Bermuda Islands Pipe Band (Hamilton, Bermuda)

Pipe Major Aidan Stones
Pipe Major Emeritus A. David Frith
Pipe Sergeant Jamie Fraser
Pipe Sergeant Joshua Simons
Piper Petter Bjornsson
Piper Joel Cassidy
Piper Dylan Moulder
Drum Major Jeremy Durrell
Lead Drummer Peter Profit
Drum Sergeant Adrian Cook
Drummer Shane Smith
Drummer Tyrone Williams

Pipes & Drums - Roll of Honour



BRAZIL

Brasil Caledonia Pipe Band

Piper Pedro Arthur Suave, (Monte Verde, Minas Gerais)

Piper Cristiano Bicudo (Campos do Jordão, São Paulo)

Piper Carlos Miranda, Brasil Caledonia Pipe Band (City of São Paulo, State of São Paulo)

Piper Manoel Ferraz de Campos, (Itapetininga, São Paulo)



BULGARIA

Piper Susan Nicholson (My village in Bulgaria)

Pipe Major John MacKenzie, 72nd Highlanders Sofronievo (Sofronievo, Vratsa)



CANADA

Pipe Sergeant Jack Lee of Simon Fraser University Pipe Band – (British Columbia)

Piper Bruce Gandy, 78th Highlanders Halifax Citadel Pipe Band – (Dartmouth, Nova Scotia)

Ottawa Caledonian Pipes & Drums (Ottawa)

Pipe Major Robert McCarthy

Pipe Sergeant Jamie Letourneau

Piper Alysha Desrochers

Piper Thomas Rozon

Piper Ian Wyllie

Piper Sophia Oueja

Piper Noah Grew

Piper Marie-Helene Briere

Piper Giulia Calvano

Piper Zoe Gracovetsky

Piper Derek Haines

Piper Noah Yateman

Piper Kevin Murison

Piper Maia Gracovetzky

Piper Emily Dessureau



Pipes & Drums - Roll of Honour

Piper Olivier Corbeil
Piper Felix Mongeon
Piper Alex Schnupp
Piper Chris Howard
Piper Justin Berube
Piper Robert McCarthy
Drum Major Darryl Lim
Drum Sergeant/Lead Drummer Allan McCarthy
Drummer Cameron Aldous
Drummer Francis Mcardle
Drummer Ray Desrochers
Drummer Marc Rozon
Drummer Dominique Moreau
Drummer Nate Mears
Drummer Owen Yateman
Drummer Connor Casey
Drummer Felicity Borgal
Drummer Sofia Calvano
Drummer Jean-Marc Schnupp
Drummer Jonathan French
Drummer Paul Fohr
Drummer Oceanne Gracovetsky

Royal Canadian Legion 63 Pipes and Drums Band

Pipe Major Brad Fenty
Piper Ron McDougall
Piper Max Redekop
Piper Glen Douglas
Piper Luke Douglas
Piper Murray Taylor
Piper Paige Knisley
Piper Adam Greuel
Piper Grayson Ross
Piper Zoe Gustafson Klassen
Piper Callie Wilk
Piper Alan Cole
Drummer Aaron Vopni
Drummer Bob Kenny
Drummer Colin Phippard
Drummer Wayne Briant

Drummer Mitch Bone
Drummer Dan Knisley
Drummer Amber Cole
Drummer Ken Martin
Drummer Jayna Munson
Drummer Olivia Guselle
Drummer Katrina Walls
Drummer Dean Mallany

Prince Albert Highlanders Pipes & Drums (Ottawa)

Pipe Major Dave Monette
Pipe Sergeant Michael McLaughlan
Piper Garry Greenshields
Piper Kim Bradley
Piper Dave Hjertaas
Drum Major Derek Sinclair
Drummer Kim Page
Drummer Roger Page

Piper Ewan Ferrier, Calgary & District Pipe Band Society (City of Calgary, Alberta)
Piper Jessie Hendrigan (Drayton Valley, Alberta)
Piper James Haslip, Damh Cabrach Piping (Edmonton, Alberta)
Piper Hon. Timothy Ray (Comox Valley, British Columbia)
Piper Gordon MacRae, BCPA (Maple Ridge, British Columbia)
Piper Stephen Kelly, 443 Squadron RCAF (Victoria, British Columbia)
Piper Craig Wight, RCMP Pipes and Drums New Brunswick (Moncton, New Brunswick)
Piper Frank Anderson (Kingston, Nova Scotia)
Piper Rory MacKinnon, Clans of Tecumseth (Alliston, Ontario)
Piper Matthew Wilson, 163 pipes and drums Hamilton (Ancaster, Ontario)
Piper John O hara, Air Force City Pipe Band (Cobourg, Ontario)
Piper Ken Maher, Beinn Gorm Highlanders (Collingwood, Ontario)
Piper Celia Carrothers, Forest Legion Pipe Band (Forest, Ontario)
Piper Lynda Mackay, Strathnaver (Hamilton, Ontario)
Piper Douglas Green, With PWOR Pipes and Drums or as an Individual Piper (Kingston, Ontario)
Piper Doug Vince, Be.642 Legion Chatham Pipes & Drums (Louisville, Kent County, Ontario)
Piper Robert Sanders, North Bay Pipes and Drums (North Bay, Ontario)
Piper Graham Stark, Mariposa Pipes and Drums (Orillia, Ontario)

Pipes & Drums - Roll of Honour

Sons of Scotland Pipe Band

Piper Graham Strachan, Sons of Scotland (Ottawa, Ontario)
Piper Bethany Bisailion, Sons of Scotland PB (Ottawa, Ontario)
Piper Tony Clunis
Piper Desideria Desjardins

Piper Brad Hampson, RCMP Pipes & Drums, National Division (Ottawa, Ontario)
Piper Christopher MacDougald, Pipes and drums of Canada/ McLarens Pipes and Drums
Warton Ont. (Shallow Lake, Ontario)
Piper Susan Ross (Stirling, Ontario)
Piper Alan Morley (Sudbury, Ontario)
Piper Joanne Robilliard, London City Pipes and Drums (Thorndale, Ontario)
Piper Scott McNeil, Ontario Correctional Services (Tiny, Ontario)
Piper Lachlann Bisailion, Royal Canadian Mounted Police C Division (Montreal, Quebec)
Piper David Mclean, Grande Prairie Pipes and Drums (Grande Prairie, Alberta)

Bridge City Highlanders Pipes and Drums (Lethbridge, Alberta)

Piper Colin McNiven
Piper Bruce Mason

Piper James Johnston (St Albert, Alberta)
Piper John Alexander (Coombs, British Columbia)
Piper Beverly Perron (Notre-Dame-De-La-Salette, Qubec)
Piper Matt Plant, Callander Legion Pipe Band (Callander, Ontario)
Piper Ian Carruthers (Fonthill, Ontario)
Piper Lynda Lyon-Walls, Battleford Legion #9 Pipes and Drums (Battleford, Saskatchewan)
Piper Ian Rennie, Northwest Territorial Pipe Band (Yellowknife, Northwest Territories)
Piper Ann Quan (Ilderton, Ontario)
Piper Brad Heath, Northwest Territories Pipe Band (City of Yellowknife, Northwest Territories)
Piper Mary Chaisson (Haliburton, Nova Scotia)
Piper Michael Cuffe, Halton Regional Police Service Pipes & Drums (Oakville, Ontario)

Royal Canadian Legion Pipes and Drums (Callander, Ontario)

Piper Ian Fettes
Piper Barry Birosh

RCMP "J" Division Pipes & Drums (Moncton, New Brunswick)

Pipe Major M Hugh Goldie
Pipe Sgt Craig Wight
Pipe Sgt Jennifer Maillet

Pipe Cpl Pat Fox
Piper Andrew Rogers
Piper Dale Beckner
Piper Eric Mourant
Piper Joe Vautour
Piper Kevin MacLeod
Piper Mary-Anne Carlos
Piper Maurice Richard
Piper Mike Lee
Piper Scott Murray
Piper Shane Grant
Piper Walter Sutton
Drum Major Bob Bourget
Drum Sgt Larry Comeau
Drum Cpl Don Bourque
Drummer Pete Gould
Drummer Paul Spinks
Drummer Anne Keiver
Drummer Carol Fitchett
Drummer Shelena Marsh

Delta Police Pipe Band (Delta, British Columbia)

Pipe Major Steve Ramsden
Pipe Sergeant Colin Barrett
Pipe Sergeant Marsh McCallum
Pipe Sergeant Carol McDonald
Pipe Sergeant Keith Thomson
Pipe Sergeant Corey Tillyer
Pipe Sergeant Jonesy Wu
Pipe Corporal Bill Bennett
Pipe Corporal Hugh Jack
Pipe Corporal Grant Laporte
Piper Colin Abel
Piper Gary Brookes
Piper Jim Campbell
Piper Rick Carswell
Piper Cliff Fournier
Piper Bruce Harborne
Piper Gavin Laing
Piper Paul Laporte

Pipes & Drums - Roll of Honour

Piper Ian MacDonald
Piper Tiffany MacNeil-Daniel
Piper Don MacPherson
Piper Jerome Malysh
Piper Ron McLaren
Piper Jack Mellis
Piper Dave Murray
Piper David Orr
Piper Joanna Stefani
Piper Ray Tessier
Piper Cameron Thomson
Piper Jamie Thomson
Piper David Trotter
Piper Ken Wright
Drum Major Moe Coll
Drum Major Ron Mcmillan
Drum Major Jim Wishlove
Drum Sergeant Greg Hall
Drum Sergeant Brian Northam
Drum Corporal Laura Cooper
Drum Corporal Barry Mann
Drum Corporal Taryn Marcotte
Drummer Iver Cameron
Drummer Alan Cochrane
Drummer Jeff Cruickshank
Drummer John-Paul DaSilva
Drummer Bev Evans
Drummer Dave Fells
Drummer Steve Fudge
Drummer Ron Henze
Drummer Toner Nailen
Drummer Richard Ryan
Drummer Kevin Silvestri
Drummer Jimmy Tait
Auxillery Trevor Black

Royal Canadian Legion 63 Pipes & Drums Band (Saskatoon, Saskatchewan)

Pipe Major Brad Fenty
Piper Adam Gruel
Piper Glen Douglas
Piper Luke Douglas

Piper Al Cole
Piper Max Redekop
Piper Murray Taylor
Piper Paige Knisley
Piper Ron McDougal
Drummer Aaron Vopni
Drummer Bob Kenny
Drummer Dan Knisley
Drummer Mitch Bone
Drummer Wayne Briant
Drummer Jayna Munson
Drummer Katrina Walls
Drummer Ken Martin

Piper Patrick McQuarrie (East Chezzetcook, Halifax County Nova Scotia)
Piper Richard Paterson, Toronto Black Watch (Courtice, Ontario)
Pipe Sergeant Ian Eastmure, Cameron of Lochiel Pipes and Drums (Sundridge, High Rock Lookout, Ontario)
Piper Ross McKie, Cobourg Legion Pipes and Drums (Cobourg, Ontario)
Piper Thomas Smart, St. Catharines Pipe Band (Grimsby, Ontario)
Piper Scott Shaw, London Police Pipes and Drums (London, Ontario)
Piper Brian Elliott (London, Ontario)
Piper James McLean, Toronto Black Watch Association Pipes and Drums (Toronto, Ontario)
Piper Ian McFarlane, Cobourg Legion Pipes and Drums/Cobourg Police Service Pipes and Drums (Cobourg, Ontario)
Piper W. David Raths, Sons of Scotland Pipe Band (Ottawa, Ontario)
Piper Benoît Poulin (Métis-sur-Mer, Québec, Gaspésie)
Piper Daniel Lidgren, Rocky Mountain Pipe Band (Calgary, Alberta)
Piper Calvin Atwood, Bridge City Highlanders (Lethbridge, Alberta)
Piper Dale Morris, Kootenay Kiltie Pipeband (Nelson, British Columbia)
Piper Rob North (Dartmouth, Nova Scotia)
Piper Roderick Begg (Digby, Nova Scotia)
Piper Kate Gordon (Brighton, Ontario)
Piper Ken Griffin, Dundas Pipes and Drums (Dundas, Ontario)
Pipe Major Iain Lang, 48th Highlanders of Canada (Toronto, Ontario)
Piper Donald Steele, The Cameron of Lochiel Pipes and Drums (Huntsville, Ontario)
Piper Peter Smith, Napanee & District Pipe Band (Belleville, Ontario)
Drummer Arnie MacAskill, Red Deer & District Pipe Band (Lacombe, Alberta)
Piper Mark Strachan, Red Deer & District Pipe Band (Red Deer, Alberta)
Pipe Major Scott Smith, Correctional Services of Canada Community Pipes and Drums (Gravenhurst, Ontario)

Pipes & Drums - Roll of Honour

Piper Tony Clunis, Sons of Scotland Pipe Band (Ottawa, Ontario)
Piper Desideria Desjardins, Sons of Scotland Pipe Band (Ottawa, Ontario)
Piper Graham Strachan, Sons of Scotland Pipe Band (Ottawa, Ontario)
Pipe Major Bethany Bisailion, Sons of Scotland Pipe Band (Ottawa, Ontario)
Piper Stephanie Allen, (Toronto, Ontario)



Fisgard Lighthouse, Colwood, British Columbia, Canada
Photograph with kind permission of Dr Ken Wilson MD
The Canadian Scottish Regiment (Princess Mary's) Pipe Band



DENMARK

Piper John Kreiner (Præstø, Zealand)



FRANCE

Piper Michel Bellebon de La Tibouvais (Quédillac, Brittany)
Piper Jean Lhuillery (Beaumontois en Périgord, Dordogne)
Piper Francois Gay, Askol Ha Brug Pipe Band (la Chapelle-sur-Erdre, Loire-Atlantique)
Piper Anne Lore, Bagad Saint-Nazaire (St Nazaire, Pays de la Loire)
Piper William Cotet, bagad Pariz (Chaville, Île de France)
Piper Yves Tyson, Lorient pipe band Brittany (Lassay sur Croisne, Center France)
Piper Bruno Dorison, None (Avignon, Vaucluse)



Glen Regnitz Pipe Band, Germany.

Pipes & Drums - Roll of Honour



THE GAMBIA

Piper Stefan Jakubowski, Gambia Police (Kotu, Kombo)



GERMANY Bavaria, Forcheim Glen Regnitz Pipe Band

Pipe Major Horst Blank

Regimental Pipe Major Dominic Murphy (RTD)

Piper Wolfgang Baron

Piper Micheala Bezold

Piper Dirk Brix

Piper Sascha Bruck

Piper Gudrun Einwich

Piper Detlef Purucker

Piper Ron Rockholt

Piper Dieter Roesner

Piper Jim Shaffar

Piper Michael Vogt

Piper Olaf Wolter

Drummer Astrid Ebenau-Eggers

Drummer Andrea Koschig

Drummer Thomas Meier

Drummer Elysabeth Murphy

Drummer Jutta Rösner

Pipe Sergeant Dominic Murphy, The Glen Regnitz Pipeband (Nurnberg, Bavaria)

Piper Petra Lage (BREMERHAVEN, Northern Germany)

Piper Sean Kerr (Liesenich, Rheinland-pfalz)

Piper Christine Hanisch (Troisdorf, Rhein-Sieg-Kreis)

Piper Dagmar Pesta, The Owl Town Pipe & Drum Band Peine (Sickte, Germany)

Piper Frank Dirksmeier, German Air Force (Warendorf, Northrhine Westphalia)



GIBRALTAR

Piper Davie Moir, Royal Engineers (Gibraltar, Gibraltar)



HAWAII

Celtic Pipes & Drums of Hawaii

Pipe Major Larry Coleman. Pipe Major Dan Quinn.

Pipe Sergeant Tina Yap. Pipe Corporal Patrick Roberts.

Piper Lola Colombe. Piper Chuck Jamison.

Piper Greg Kim. Piper Joe Kindrich.

Piper Anne Kwiatkowski. Piper Howard Lavy.

Piper Jodi Matsuura Eaves. Piper Alan Miyamura.

Piper Hardy Spoehr. Piper Frank Talamantes.

Piper Karen Thompson. Piper Scott Walton.

Piper Pomaikai Wee. Piper Masa Yamaguchi.

Piper & Trumpetor Warren Cone.

Drum Major Joe Miller. Drum Sergeant Tracy Burnham.

Drummer Matthew Bauer. Drummer Lisa Gomes.

Drummer Elizabeth MacNeill. Drummer Kristen McNab.

Drummer Primasita Menor. Drummer Alf Schneider.



HONG KONG

Piper Fred Kew (Hong Kong)



MALAYSIA

Piper Alisdair MacRae, Kuala Lumpur Pipe Band – (Kuala Lumpur)

Pipes & Drums - Roll of Honour



MALTA

Piper Gill Cairns (Tal-Pietà, Valletta)



MEXICO

Piper Diego Barquet (Mexico City)



NETHERLANDS

Piper Gerrit Krist, Clan Hay Pipe Band ('s-Heerenhoek, Zeeland)



NEW ZEALAND

Pipe Major Alasdair MacKenzie, City of Invercargill Highland Pipe Band – Invercargill)
Piper Matt Fraser – (Auckland)

Piper Terrence Smith, Royal New Zealand Navy Pipes And Drums (Auckland, Auckland)
Piper Kerry Marshall, Napier Pipe Band (Napier, Hawke's Bay).

Piper Dylan Jones, Kapiti Coast Pipes and Drums (Waikanae, Kapiti Coast)
Piper Sally Craik (Dunedin, Otago)

Piper Bryan Mitchell, Cambridge & Districts Pipe Band (Cambridge, Waipa District)
Piper Alice Robinson (Lower Hutt, Wellington)

Piper Helen Capes, New Zealand Northumbrian Pipers Society (Maraekakaho, Hawkes Bay)
Piper David Barnard, City of Wellington Pipe Band (Wellington)

Pipe Major Jim Farley, Pipes & Drums of Palmerston North & Districts (Palmerston North, Manawatu)
Piper Patrick Coogan, Manawatu Scottish (Taihape, New Zealand)

Wairarapa Fern and Thistle Pipe Band (Masterton, Wellington)
Piper Ian Macdonald, Piper Hunter Nielsen



NIGERIA

ScottishPower Pipe Band Nigeria, Bagpipe Music Society of Nigeria

(Karu LGA, Abuja)
Pipe Major Kalu Chukwu Oba
Ikwumuno Ogbole
Sylvester Davereng
Ogah Stephen
Ibrahim Gabriel
Oryina Iyo
Ibu Banabas
Orisakwe Chimezie
Olubi Blessing
Ishaya Madu
Allison yohanna
Aliagu Grant
Ezekiel Phillip
Phillip Moses Bari
Joseph Nehemiah
Amos Wasika
Solomon Istiphanus
Tauheed Mohammed
Eze Kelechi
Egwuagu Chukwuma
Stephen Oba Kalu



PARAGUAY

Piper Renaud Olgiati (Asunción)



PERU

Piper Alfonso Vignes-Eguren, City of Arequipa Pipe Band (Arequipa)

Pipes & Drums - Roll of Honour

Pipe Major Tony Reis said, "The Autshumato Anti-Aircraft Regiment Pipes & Drums will be extremely proud to be performing *Diu Regnare* from the top of Table Mountain, Cape Town, South Africa, as our tribute to Her Majesty The Queen, in recognition of her 70 years of selfless dedication to the Commonwealth."



Autshumato Anti-Aircraft Regiment Pipes & Drums, South Africa. Photograph by Tyler Williams.

Pipes & Drums - Roll of Honour



SPAIN

Torrevieja Pipes and Drums (Torre Vieja, Alicante)

Pipe Major Brian Day
Pipe Sergeant David Heaney
Piper Stuart Moffat

Piper Anthony Dolphin (Hondon de las Nieves, Alicante)
Piper Donald Busby, Torre Vieja pipe and drum band (El altet, Alicante)



SOUTH AFRICA

Autshumato Anti-Aircraft Regiment Pipes & Drums

Pipe Major Tony Reis. Pipe Sergeant Mogamat Opperman
Piper Terence Hutton. Piper Michael Leighton. Piper Emlyn Madziwa. Piper Emily Craven
Piper Kuhle Mankayi. Piper Luke Marais. Piper Neil Horn. Piper Anton van der Poel
Piper Wayne Mitchell. Piper James Mitchell
Drummers: Thabiso Teesow, Lesley Reis, Zhaheed Smith, Melanie Tafila, Mivuyo Khete,
Mihlali Nguzo, Maajidah Opperman, Theo Caesar, Eugene Trofimczyk,
Brogan Reis, John Van Niekerk, Ronnie Masenda

Piper Alan Munro, Scottish Piping Society of South Africa (San Sereno Retirement Village,
Johannesburg)
Piper Capt. Will Carter JCD KLJ (Cape Town, Western Cape)
Piper Mark Anthony Wilson, Cape Town Highlanders (Cape Town, Western Cape)
Piper Lucas Visagie (Paarl, Western Cape)
Piper Paul Louw, African Skye Pipe Band (Johannesburg, Gauteng)
Piper Alan Munro, Scottish Piping Society of South Africa (Johannesburg, Gauteng)
Piper Rory Mackenzie, Pietermaritzburg Caledonian Pipe Band (Hilton, KwaZulu-Natal)
Piper Caireen Alston, Nelson Mandela Artillery Pipes And Drums (Cape Town, Western Cape)
Piper Peter Odendaal, Knysna and Districts Pipe Band (Somerset West, Western Cape)
Pipe Major Grant Scheffel, Nelson Mandella Artillery Pipes and Drums (Cape Town, South Africa)



SWITZERLAND

Piper Damien Bell, Scotch Watch Pipes & Drums (Seelikon Bade, Zug)



THAILAND

Piper Keith Walker, The British Club Bangkok Pipe Band (Bangkok)



UNITED STATES OF AMERICA

Piper Jeff Simmons, Contractor (Tucson, Arizona)
Piper Tammy Simmons (Tucson, Arizona)
Piper Jason Gunn, Universal Bagpipes (St Joe, Arkansas)

Palm Springs Air Museum Pipe Band (Palm Springs, California)

Pipe Major Robert Heggie
Pipe Sergeant Shaun Griffith
Piper Graham Bailey
Piper Len Box
Piper Joe Branston
Piper Daniel Butchard
Piper Harold Butchard
Piper Rod Cribbes
Piper Joel Daniel
Piper Mike Fitak
Piper Jeff Geraci
Piper Jack Grant
Piper Colin Grinstead
Piper Jim MacKenzie
Piper Don MacPherson
Piper Jim McKnight
Piper Jon McLennan
Piper Mel Miller
Piper Bill Partridge

Pipes & Drums - Roll of Honour

Piper John Ralston
Piper Tom Skinner
Piper Maureen (Mo) Soichuk
Piper Bill Tracey
Piper Ken Wright
Piper Richard Young
Drum Major Pierre McIntyre
Drum Sergeant Malcolm Willis
Drummer Thad Ball
Drummer Christi Bennett
Drummer Fabian Hurtado
Drummer Rusty King
Drummer Lavon Marie
Drummer Pamela McIntyre
Drummer Toner Nailen
Drummer Tony Parise
Drummer Marty Stacksteder
Drummer Trevor Uprichard

Piper Dr. Gary Dickey (Westlake Village, Ventura County, California)
Piper Kenneth Feighner, Colorado Irish Pipe Band (Berthoud, Colorado)

Saint Andrew's Pipe Band of Miami (Miami, Florida)

Piper Nigel MacDonald
Piper Barbara Wach

Piper Michael Vazzana, McGuire's Irish Pub Pipe Band (Pensacola Beach, Florida)
Piper Richard Smith, Appalachian Saint Andrew's Pipes and Drums (Blairsville, Georgia)
Piper Dennis Duncan, Marietta Piper (Marietta, Georgia)
Pipe Major Kim Greeley, Celtic Kula Pipe Band of Hawaii (Honolulu, Hawaii)
Piper Jack Lewis, Danville Pipe Band (now defunct) (Mount Vernon, Kentucky)
Piper David Cormalleth, ChicagoBagpiper.com/Bagpipers of the World United (Lake Forest, Lake County, Illinois)
Piper Rob Haskell (Peabody, Massachusetts)
Piper Frederick Benda, Springfield Kiltie Pipe Band, Springfield Massachusetts, United States (Westfield, Massachusetts)
Piper Dana Deweese, Solo (Jefferson City, Missouri)
Piper Brian J. Gibney (Bridgewater, New Jersey)
Piper Sara Hufford, Order of the Thistle Pipe Band (Santa Fe, New Mexico)
Piper Kathleen Wright (North Kingsville, Ohio)

Piper Scott McKinley, Oklahoma State University Pipes and Drums (Stillwater, Oklahoma)
Piper Michael Hubbard, Clan Macleay Pipe Band (Salem, Oregon)
Piper Jean Lickun (Lords Valley, Pike County, Pennsylvania)
Piper Edwin Gonzalez, VMHG Piper (Sumner, Pierce Washington state)
Piper Molly Navarro-Skinner, The Jefferson Pipe Band (Redding, Shasta County, CA)
Piper Matthew Reeder, City of Chattanooga Pipe Band (Chattanooga, Tennessee)
Piper Kelly Shipe, A HARP AND BAGPIPE FOR ALL OCCASIONS (Gatlinburg, Tennessee)
Piper Laurence Ching, Houston Highlanders Pipes and Drums (Alvin, Texas)
Piper Adam Wilcox (Amarillo, Texas)
Piper Matt Willis, Metroplex United Pipe Band (Carrollton, Texas)
Piper Charlie Nevegold, Sherman Fire-Rescue Pipe Band (Ector, Texas)
Piper Colleen Steblein, North Texas Caledonian Pipes and Drums (Ft. Worth, Texas)
Piper Brenton Scharbor, Allegro Pearland Academy of Music (Pearland, Texas)
Piper Paul Watson (Tyler, Texas)
Piper Hunter Nichols (Whitewright, Texas)
Piper Chris Dries (Mt. Pleasant, Utah)
Piper Anne L Storms (Salt Lake City, Utah)
Piper Alan Erdmann, Salt Lake Scots (Springville, Utah)
Piper Victoria MacKenzie, Fort Vancouver Pipe Band (Vancouver, Washington)
Piper Michael Grest, Atlanta Pipe Band (Auburn, Georgia)
Piper Colin Gavin, Firefighters Highland Guard of Naperville (Naperville, IL)
Piper Douglas Walton (Marquette, Michigan)
Piper Tyler Johnson, Wasatch and District Pipe Band (Kaysville, Utah)
Piper Tim Riddle (Edgewood, WA)
Piper Robert J McFarland DDS (City of Boise, Ada County, State of Idaho)
Piper Bob McFarland, Northumbrian Small Pipes (Boise, Idaho)
Piper Frank Bonneau, Piedmont Pipers (Portland, Oregon)
Piper Isaac T. Benda, Springfield Kiltie Pipe Band (City called Adams, Massachusetts)
Piper Charles Martin, Pipes & Drums of CAL FIRE L2881 (Ukiah, California)
Piper Daniel Johnson (Louisville, Kentucky)
Piper Jim Roberts, Tidewater Pipes & Drums (Williamsburg, Virginia)
Piper Baxter Holland, (Rutland, Vermont)
Piper Neil Keppie, Saint Andrew's Pipe Band of Miami (Miami, Florida)
Piper Peter Rolstad, (Bellingham, Washington)
Piper MSG (R) Mace Marti, Bushwackerbagpiper (Cheyenne, Laramie County, Wyoming)
Piper Colonel Milan Kobulnicky, Williamsburg Pipes and Drums (Williamsburg, Virginia)
Piper Andrew Nowaczyk (Poulsbo, Washington)
Piper Steven Lemieux (Augusta, Maine)
Piper Cathleen Nixon, North American Academy of Piping & Drumming (Grandfather Mountain/Linville, North Carolina)

Pipes & Drums - Roll of Honour

Piper Christopher Schiffer, Solo (Faribault, Rice County, Minnesota)
Piper Meghan Hutchins, Williamsburg Pipes and Drums (Williamsburg, Virginia)

The Jefferson Pipe Band (Redding, California)

Pipe Major Rob Jeffs
Pipe Major Bob Skinner
Drum Major Scott J. Thomsen
Piper Dave Alexander
Piper Bob Budesá
Piper John Burke
Piper Dave Cave
Piper Caleb Cox
Piper John Elliott
Piper Dan Flores
Piper Gavin Guidotti
Piper Ted Hales
Piper Paul LaPrise
Piper Linda Lindsay
Piper Nancy Menefee
Piper Becky Saraceno
Piper Don Saraceno
Piper Brian Schwartzberg
Piper Carrie Wigham
Piper/Drummer Molly Navarro-Skinner
Drummer Becky Cox
Drummer Rick Fernandez
Drummer Caleb Guidotti
Drummer Phil Guidotti
Drummer Lori Martin
Drummer Brandon Muck
Drummer Jax Robertson
Drummer Bob Smith
Drummer Darin Talcott
Drummer Ethan Walsh
Drummer Dion Williams

Williamsburg Pipes and Drums (Williamsburg, Virginia)

Piper Bill Price
Piper Hannah Carpenter
Piper Evan Blinn
Piper Lexey Donohue
Piper Meghan Hutchins
Piper CJ Ortolano-Collins
Piper Milan Kobulnicky
Piper Joe Burns
Piper Scott Swan
Piper Charles Perry
Piper Lynn Newcomer
Piper Jim Boyer
Drummer Tim Cordle
Drummer Bill Yates

The McGuire's Pipe Band (Santa Rosa Island, Florida)

Pipe Major Michael Vazzana
Pipe Sergeant Terry Nobels
Pipe Corporal Bob Wilkerson
Piper Cory Gillette
Piper Brecklyn Groce
Piper Kevin Hicks
Piper Jon Stevens
Piper Ryan Watson
Drum Sergeant Jeff Fitzpatrick
Drum Sergeant Michael Paige
Drummer Eden Allen
Drummer Reuben Browning
Drummer Vick Hall
Drummer Ryan Thomsen
Drummer Nicholas Vazzana

Piper Rafe Aalderink, Fort Worth Scottish Pipes and Drums (Plano, Texas)
Piper Alexa Boss (Lake Forest Park, Washington State)
Piper Steve Langford, Chicago Celtic Pipes and Drum (Glen Ellyn, Illinois)
Piper Martha Davis, Kansas City St. Andrew Pipes and Drums (Des Moines, Iowa)
Piper Donald Wilson, Ann Arbor-Fraternity Lodge no. 262 (Ann Arbor, Michigan)
Piper Richmond Johnston (High Falls, New York)
Piper Everett Mayhew, Jr. (Schodack, New York)

Pipes & Drums - Roll of Honour

Piper Geoffrey Knudson, ACFD Sandpipers (Manahawkin, NJ)

Pipe Major Matthew Hart, Black Swamp Pipes & Drums (Toledo, Ohio)

Piper Lee Hedgecock, Jamestown Pipes and Drums (Jamestown, North Carolina)

Piper Zippa Curiskis, Macalester College (Minneapolis, Minnesota)

Piper Janice Constable (Maple Grove, Minnesota)

Piper Thomas Nelson, North Carolina State University (Waxhaw, North Carolina)

Piper William Jones (New Braunfels, Texas)



ZIMBABWE

Piper Callum Smith, St Johns College Pipe Band (Harare)

(more acknowledgements to follow)

Town Criers - Roll of Honour

Chelsea Pensioner Roy Palmer will undertake the Proclamation at the Royal Hospital Chelsea.



Photograph by kind permission of Liam Best, Marketing & Communications Manager, Royal Hospital Chelsea.

PROCLAMATION BY TOWN CRIERS
(Written by Jane L. Smith, Town Crier for Bognor Regis)



ENGLAND

- Alan Austin - Town Crier (Attleborough, Norfolk)
Andrew Cunningham-Brown – Town Crier (Sherringham, Norfolk)
Nigel Wilkin – Town Crier (Swaffam, Norfolk)
Jason Bell – Town Crier (Holt, Norfolk)
Bob Lloyd – Town Crier (City of Norwich)
Brenda Wilson – Town Crier (Newmarket, Suffolk)
Peter Taunton – Town Crier (Newport & Stafford, Shropshire)
Jane L Smith – Town Crier (Bognor Regis, West Sussex)
Marion Lowe – Town Crier (Shipston on Stour, Warwickshire)
Paul Goring – Town Crier & Town Seargent (Rye, East Sussex)
Jon Borthwick – Town Crier (Peacehaven & Lewes, East Sussex)
Jackie Edwards – Town Crier (Kingsteignton, Devon)
Len Sweales – Town Crier (Wells, Somerset)
Ken Brightwell – Town Crier (Cheltenham, Gloucestershire)
Mike Dale – Town Crier (Lenham, Kent)
Brian Sylvester – Town Crier (Newbury, Berkshire)
Terry Hamer – Town Crier (Romsey, Hampshire)
Richard Smith BEM – Town Crier (Beaconsfield, Buckinghamshire)
Mike Wabe – Town Crier (Watton, Norfolk)
David Green – Deputy Town Crier (Plymouth and Mayflower Resurgam, Devon)
David Birdsall – Town Crier (Scarborough, North Yorkshire)
David Hinde – Town Crier (Helmsley, North Yorkshire)
Robert Speight – Town Crier (Pershore, Worcestershire)
Stephen Day – Town Crier (Kidderminster, Worcestershire)
Michael Wood – Town Crier & three times World Champion (East Riding of Yorkshire)
Les Long – Town Crier (Henley-in-Arden, Warwickshire)
John Collingwood – Town Crier (Bridport, Dorset)
Chris Smirthwaite – Town Crier (Liskeard, Cornwall)
Jon Bartholomew – Town Crier (Hastings, East Sussex)
David Bull – Town Crier (Filey, North Yorkshire)
Christopher Morgan – Town Crier (Leighton & Linslade, Bedfordshire)
Alistair Chisholm – Town Crier (Dorchester, Dorset)
Avril Hayter-Smith – Town Crier and Consort Graham Hayter-Smith (City of Ely, Cambridgeshire)
Peter Stemmer BEM – Town Crier of and Ambassador for (Darlington, County Durham)
Harry Turburville – Junior Town Crier (Thetford, Norfolk)
Michael Bluemel – Deputy Town Crier (Rye, East Sussex)

Town Criers - Roll of Honour

Paul Gough – Town Crier and Reining British Champion TC (Nuneaton & Bedworth, Warwickshire)
Terry Williams – Town Crier (Bodmin, Cornwall)
Carole Williams – Town Crier (Bishops Stortford, Hertfordshire)
Steve O'Dare – Town Crier (Skegness, Lincolnshire)
Chris Brown – Town Mayor's Sergeant & Town Crier of (Wimborne Minster & Colehill, Dorset)
Cris Brown – Town Crier (Royal Borough of Windsor & Maidenhead, Berkshire)
Andrew Stopka – Town Crier (Fairford, Gloucestershire)
Nigel Scott – Town Crier (Axbridge, Somerset)
Jacquie Hall – Town Crier (Wareham, Dorset)
Trevor P Heeks – Town Crier & Freeman (Trowbridge, Wiltshire)
Dave Parsons – Town Crier (Alton, Hampshire)
Jim Weeks – Town Crier (Bideford, Devon)
Mike Billingham – Town Crier (Medway, Kent)
John Lawrence – Town Crier (Cirencester, Gloucestershire)
John Scholey FICE – Town Crier (Royal Tunbridge Wells & Westerham, Kent)
Ray Wales – Town Crier (Downham Market, Norfolk)
Bill Lomas – Town Crier (Leek, Staffordshire)
Angela Standing – Town Crier (Arundel, West Sussex)
Bob Smytherman – Town Crier (Worthing, West Sussex)
Barry McQueen – Town Crier (Blackpool, Lancashire)
Barry Heap – Town Crier (Richmond, North Yorkshire)
Kevin Reid Griffiths – Town Crier (Skipton, North Yorkshire)
Rawden Kerr – Town Crier (Great Harwood, Lancashire)
Robert Needham BA – Town Crier (Colchester, Essex)
Martin Wood – Town Crier (Shrewsbury, Shropshire)
Les Cutts – Town Crier (Halifax, West Yorkshire)
George Carpenter – Town Crier (Wotton under Edge, Gloucestershire)
Terry Ford – Town Crier (Otley, West Yorkshire)
Mike Andrews – Town Crier (Ferndown, Dorset)
Chris Brown – Town Mayor's Dergeant & Town Crier (Wimborne Minster & Colehill, Dorset)
John Hadfield – Town Crier (Westbury, Wiltshire)
Majorie Dodds – Town Crier (Chester-le-Street, County Durham)
Roger Hewitt – Town Crier (Knaresborough, North Yorkshire)
Vic Watson – Town Crier (Huddersfield, West Yorkshire)
Lionel Knight – Town Crier (Truro, Cornwall)
Don Evans – Town Crier (Ormskirk, West Lancashire)
Geoffrey Russell – Town Crier (Market Drayton, Shropshire)
Charles Morgan – Town Crier (Bishopsteignton, Devon)
Jane Dodd – Town Crier (Chesham, Buckinghamshire)
Jason Ede – Town Crier (Newhaven, East Sussex)

Simon Bartlett – Town Crier (Bampton and Huntsham, Devon)
David Bradshaw – Town Crier (Newquay, Cornwall)
Andrew Downing – Town Crier (Stamford, Lincolnshire)
Martin Payne – Town Crier (Bungay, Suffolk)
Peter Powell – Town Crier (Lymm Cross, Cheshire)
Karen Bailey – Town Crier (Swadlincote, Derbyshire)
John Parsons – Town Crier (Macclesfield, Cheshire)
David Charles Milton – Town Crier (Watchet, Somerset)
John Griffiths – Town Crier (Sleaford, Lincolnshire)
Elizabeth Anderson-Watson – Town Crier (Barnoldswick, Lancashire)
Steven Holt – Town Crier (Morley, West Yorkshire)
David Summers – Town Crier (Mablethorpe & Sutton, Lincolnshire)



Michael Wood, Town Crier,
East Riding of Yorkshire.

Town Criers - Roll of Honour

Alan Spencer – Town Crier (City of Southampton, Hampshire)
Joseph David – Town Crier (Hinkley, Leicestershire)
Roy Palmer – Town Crier (Royal Hospital Chelsea, London)
Hilary McGrath – Town Crier (Garstang, Lancashire)
Michael Hickmott – Town Crier (Tenterden, Kent)
Kevin N Ward – Town Crier and Bellman (Court Leet & Court Baron of the Manor of Bromsgrove)
David Peters – Town Crier & Beadle (Guildford)
Michael Reddy – Town Crier (Warwick)
Mark Northway - Town Crier (Cromer, Norfolk)
Sharon Wilson – Town Crier (Saltburn by the Sea, North Yorkshire)
Alan Giles - Town Crier (Fowey, Cornwall)
Alan Myatt – Town Crier (Camden Market, Covent Garden, London, City and Port of Gloucester)
David Burrows – Town Crier (Southwold)
Chris Conlan – Town Crier (Sevenoaks, Kent)
John Bateson – Town Crier (Kendal, Cumbria)
Francesca Fitch – Town Crier (Town Square, Shefford, Bedfordshire)
Michael Eldred - Town Crier (The Swan Public House, Rayne, Essex)
David Greenway – Town Crier (Glastonbury Town Council, Somerset)
Grant Dennis – Town Crier (Porlock Parish Council, Porlock, Minehead, Somerset)
Leslie Ellis - Town Crier (Dartmouth, Devon)
Peter Dauncey – Town Crier (Melksham Town Council, Wiltshire)
Roger Bourgein – Town Crier (Exmouth Town Council, Devon)
Peter Stemmer – Town Crier (Darlington Borough Council, Darlington, Co. Durham)
Karen Crow – Town Crier (City of Lincoln, Lincolnshire)
Steve Davis – Town Crier (Somerton Town Council, Somerton, Somerset)
Alan Robert Brown – Town Crier (Dalton and Barrow-in-Furness, Cumbria)
Patrick Brophy – Town Crier (Teignmouth Town Council, Devon)
Tom Prescott – Town Crier (Hale Parish Council, Hale, Cheshire)
Steven Benn – Town Crier (Bulphan Village Community Forum, Bulphan, Suffolk)
Clive O'Shaughnessy AHGTC – Town Crier (Torpoint Town Council, Cornwall)
John Robinson – Town Crier (Biddulph Town Council, Biddulph, Stoke-on-Trent, Staffordshire Moorlands)
Roger Pinder – Town Crier (Kingsbridge, Devon)
George Tofarides – Town Crier (Hay Town Council, Hay-on - Wye, Herefordshire)
Rod Jones – Town Crier (Renhold Parish Council, Bedfordshire)
Peter White – Town Crier (Seaford Town Council, East Sussex)
Pedar Nielsen – Town Crier (Bromyard and Winslow Town Council Herefordshire)
Griff Jones – Town Crier (Capel St Mary, Suffolk)
Ian Lawson – Town Crier (Easton on the Hill Parish Council, Lincolnshire)
Melanie Guilding – Town Crier (Carnforth Town Council, Lancashire)
Stephen Cunliffe – Town Crier (Dawlish Town Council, Devon)

Paul E West – Town Crier (Letterston Community Council, Pembrokeshire, Wales)
Michael Whittle - Town Crier (Wicken Green Village, Fakenham, Norfolk)
Roger Pinner – Town Crier (Eltisley Parish Council, Cambridgeshire)
Robert Barnes – Town Crier (Bembridge Parish Council, Bembridge, Isle of Wight)
Ben Fry – Town Crier (CMJ Events, York Racecourse)
Ian Kirkbridge – Town Crier (Barnard Castle Town Council)
Tim Hardy – Town Crier (Miserden Parish Council, Miserden, Stroud, Gloucestershire)
Andrew Smith – Town Crier (Walbottle Village Festival 2022, Newcastle-upon-Tyne)
Trevor Scadeng – Town Crier (Ashton Hayes and Horton cum Peel Parish Council, Chester, Cheshire)
Rot Tyzack – Toastmaster (Navestock Parish Council & Navestock Village Society, Navestock, Brentwood, Essex)
Nigel Kenneison – Town Crier (Newton abbot Town Council, Devon)
Jim Henderson – Town Crier (Penryn Town Council, Penryn, Cornwall)
Councillor Robin Powell – Master of Ceremonies
John Housley – Town Crier (Ecclesfield Parish Council, Sheffield)
Les Ellis – Town Crier (Dartmouth, Devon)
Tom Shorrock – Town Crier (Stratfield Mortimer Parish Council, Berkshire)
Steve King – Town Crier (Yarmouth Isle of Wight Council, Isle of Wight)
Nigel Hopkins – Town Crier (Reading Borough Council, Berkshire)
Michael Ostler – Town Crier (Purfleet-on-Thames Community Forum, Purfleet, Essex)
Jer Holland – Town Crier (Cinderford Town Council, Gloucestershire)
David Mitchell – Town Crier (City of Chester, Cheshire)
Lionel Mann – Town Crier (Silsoe Parish Council, Silsoe, Bedfordshire)
Joe Mills – Town Crier (Hexham Town Council, Northumberland)
Miguel Nance – Town Crier (Chilham Parish Council, Chilham, Kent)
Jim Davies – Town Crier (Stone Town Council, Stone, Staffordshire)
Ray Jarvis – Town Crier (Atherstone, Warwickshire)
Anita Johnson Town Crier (Doncaster Council, Doncaster, South Yorkshire)
Chris Darlington – Town Crier (Brigg Town Council, Lincolnshire)



SARK

Peter Plummer – Town Crier (Sark, Channel Islands)

Town Criers - Roll of Honour



Stephen Clarke, Town Crier of NSW Central Coast, Australia, plays a fanfare on a Bugle before undertaking a Proclamation. This is most significant because at the top of the Gosford Coat of Arms there is a Cockerel standing on the bugle. Gosford is the capital of the NSW Central Coast and Stephen has been the official Town Crier there since 1990.



SCOTLAND

Councillor David Coleman & Bugler Mr Michael Hunter (Fife)
Bob Kidd – Town Crier (Forfar East & Old Parish Church, Forfar, Angus, Scotland)



WALES

Susie Blower – Town Crier (Montgomery, Powys, Wales)
David Salter – Town Crier (Llanfair Caereinion, Powes)
Bob Williams – Town Crier (Pontardawe, Swansea)
Janet Swindale – Town Crier (Llandrindod Wells, Powys)
Jon Wilks – Town Crier (Cowbridge, Vale of Glamorgan)



NORTHERN IRELAND

John Cartwright – Town Crier (Ballynahinch, County Down)
Toastmaster Gary Wilson (Enniskillen)
Geoffrey Miller – Town Crier (Royal Ulster Yacht Club, Bangor, Northern Ireland)



AUSTRALIA

Bob Townshend – Town Crier (Southern Downs Regional Council, Queensland, Australia)
Stephen Clarke OAM – Town Crier (Central Coast Council, New South Wales, Australia)
Gavin Barker – Town Crier (Moorabool Shire, Australia)
Tom Benny – Honary Town Crier (City of Salisbury, South Australia)
Judith Cambell – Town Crier (Campaspe Shire, Victoria & Murray River Council, New South Wales, Australia)
Ken Ashford – Town Crier (Fraser Coast Regional Council, Australia)
Joseph McGrail-Bateup – Town Crier (Queanbeyan, Australia)
Alan Moyse – Town Crier (Bega Valley Shire, Australia)
Bill Wallace – Town Crier (Municipality of Lane Cove, New South Wales, Australia)
James Carter – Town Crier (Strathbogie Shire, Victoria, Australia)

Town Criers - Roll of Honour

Frederick Krebs – Town Crier (City of Redcliff, Queensland, Australia)
 Timothy Keith – Town Crier (Parkes Shire, New South Wales, Australia)
 Graham Keating – Town Crier (City of Sydney, New South Wales, Australia)
 Mark Overell – Town Crier (City of Ipswich, Queensland, Australia)
 Syd Norman – Town Crier (Scenic Rim Regional Council, Australia)
 Philip Greenbank, President, Australasian Guide of Town Criers & – Town Crier (Hepburn Shire, Victoria, Australia)
 Mike Willett – Town Crier (Victor Harbour, Australia)
 Kyle Frederick Sturgess – Town Crier (Bland Shire, New South Wales, Australia)
 Kevin Howarth – Town Crier (Toowoomba Regional Council, Queensland, Australia)



BERMUDA

A David Frith JP – Town Crier (St George's, Bermuda)
 Ed Christopher – Town Crier (City of Hamilton, Bermuda)



CANADA

Ken Templeman – Town Crier (Collingwood, Canada)
 Tom Kerr – Town Crier (Municipality of Trent Hills, Canada)
 Bruce C Kruger MB SBStJ – Town Crier (Bracebridge, Ontario, Canada)
 Jenn Olivero – Town Crier (Hanover, Canada) & Secretary to the Ontario Guild of Town Criers
 David McKee – Town Crier (Brantford, Canada)
 Gary Long – Town Crier (Canning & Berwick, Nova Scotia, Canada)
 Athol Hart – Town Crier (Newmarket, Ontario, Canada)
 Stephen J Travers – Town Crier (City of Barrie, Ontario, Canada)
 John Webster – Town Crier (City of Markham & Towns of Aurora, East Gwillimbury & Cary, Canada)
 David Vollick – Town Crier (City of Burlington, Ontario, Canada)
 Tom Pekar – Town Crier (Port Colborne, Ontario, Canada)
 Wes Libbey – Town Crier (Stormont, Dundas & Glengarry Historical Society, Cornwall, Ontario, Canada)
 Patrick M Sirianni – Town Crier (City of Niagara Falls, Ontario, Canada)
 Liam Cragg – Town Crier (Township Alnwick / Haldimand, Ontario, Canada)
 Daniel Richer Dit Lafleche – Town Crier (Ottawa, Canada)
 Brian Mabee – Town Crier (1000 Islands known as Gananoque, Ontario, Canada)
 James Stewart – Town Crier (New Glasgow, Nova Scotia, Canada)
 Larry Davis – Town Crier (Brant County, Ontario, Canada)
 Mandy E. Robinson – Town Crier (Cobourg, Ontario, Canada)
 Brenda Bozso – Town Crier (Tillsonburg, Ontario, Canada)
 Kenny Podmore – Town Crier (Sidney By The Sea, Vancouver Island BC, Canada)
 Hans G. Bathija Esq (York, Ontario, Canada)

Patrick M Sirianni, Town Crier, City of Niagara Falls, Ontario, Canada. Patrick will be undertaking this unique Tribute To Her Majesty The Queen from the world famous Horseshoe Falls, also known as the Canadian Falls on the Niagara River along the Canada-United States Border.



Town Criers - Roll of Honour



HAWAII

Hardy Spoehr – Town Crier (Honolulu, Hawaii). Hardy will be undertaking the 'Cry' from the steps of the `IOLANI PALACE, the home of the Kings and Queens of Hawaii



NEW ZEALAND

James Donald - Town Crier (Howick, New Zealand)
Lyal Brenton JP - Town Crier (Palmerston North, New Zealand)
Paddy-Ann Pemberton – Town Crier (Central Otago, New Zealand)
Lynley McKerrow – Town Crier (Southland Council, New Zealand)

(more acknowledgements to follow)

The Queen's Platinum Jubilee Beacons

Partner



"abrdn is delighted to be a Partner of
The Queen's Platinum Jubilee Beacons
which are being lit on 2nd June 2022
in celebration of The Queen's Platinum Jubilee.

This is a momentous occasion
and we wish all those taking part around the world
a very happy and joyous celebration."

Sir Douglas Flint
Chairman

The Queen's Platinum Jubilee Beacons *Partner*



"L Holding Ltd is delighted and extremely proud,
to be a Partner of The Queen's Platinum Jubilee Beacons
being lit on 2nd June 2022, in celebration of
The Queen's Platinum Jubilee."

Mr WeeKuang Tai MLJ RNA MNA.

The Queen's Platinum Jubilee Beacons

Supporters

THE FOUR PEAKS WALKING WITH THE WOUNDED



ENGLAND
Scafell Pike



SCOTLAND
Ben Nevis



WALES
Mount Snowdon

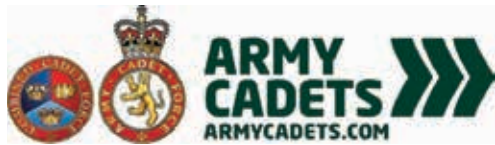
Michael Musket MBE
&
Mrs Lynn Musket JP

NORTHERN IRELAND
Slieve Donard



The Queen's Platinum Jubilee Beacons

Supporters



Local
BBC Radio

BBC RADIO
Berkshire

BBC RADIO
Bristol

BBC RADIO
Cambridgeshire

BBC RADIO
Cornwall

BBC RADIO
Cumbria

BBC RADIO
CWR

BBC RADIO
Derby

BBC RADIO
Devon

BBC
Essex

BBC RADIO
Gloucestershire

BBC RADIO
Guernsey

The Queen's Platinum Jubilee Beacons

Supporters

BBC RADIO
Hereford & Worcester

BBC RADIO
Humberside

BBC RADIO
Jersey

BBC RADIO
Kent

BBC RADIO
Lancashire

BBC RADIO
Leeds

BBC RADIO
Leicester

BBC RADIO
Lincolnshire

BBC RADIO
London

BBC RADIO
Manchester

BBC RADIO
Merseyside

BBC RADIO
Newcastle

BBC RADIO
Norfolk

BBC RADIO
Northampton

BBC RADIO
Nottingham

BBC RADIO
Oxford

BBC RADIO
Sheffield

BBC RADIO
Shropshire

The Queen's Platinum Jubilee Beacons

Supporters



Belfast Telegraph



The Church of Scotland

The Queen's Platinum Jubilee Beacons

Supporters



Creative & Commercial



The Queen's Platinum Jubilee Beacons

Supporters



The Queen's Platinum Jubilee Beacons

Supporters



We support people and communities to thrive.
The National Lottery Community Fund



National Trust



East Cheshire
NHS Trust



North Staffordshire
Combined Healthcare
NHS Trust



Pennine Care
NHS Foundation Trust



The Royal
Orthopaedic Hospital
NHS Foundation Trust



Stockport
NHS Foundation Trust



Tameside and Glossop
Integrated Care
NHS Foundation Trust



The Queen's Platinum Jubilee Beacons

Supporters



The Police Treatment Centres



The Queen's Platinum Jubilee Beacons

Supporters



United Nations
Educational, Scientific and
Cultural Organization



Frontiers of the
Roman Empire
inscribed on the World
Heritage List in 2005



HADRIAN'S WALL
AD122 - 2022



The Queen's Platinum Jubilee Beacons



Celebrate this unique Royal occasion with

Fantastic Fireworks

Click on this image for details of our amazing displays set to a wonderful soundtrack
in words and music celebrating Her Majesty's historic reign.

To book or have a chat, please email info@fantasticfireworks.co.uk or call 0845 272 3550.



Bruno Peek LVO OBE OPR
Pageantmaster
The Queen's Platinum Jubilee Beacons
Telephone: + 44 (0) 7737 262 913
Email: brunopeek@mac.com

The playing of DIU REGNARE
Piper Liaisons, Piper Robert Procter & Piper Stuart Letford
Susan Osborne Msc FRSA, NHS Liaison Director
Baizhou Cai, Chinese Community Liaison (UK)

Bruno Peek LVO OBE PR, Pageantmaster
will NOT be available via email from
12noon on 30th May through to 6th June 2022
but will be contactable on + 44 (0) 7737 262 913
from 7am through to 10pm GMT.

*Front and back cover photograph:
The Coronation of Queen Elizabeth II, by Cecil Beaton. © Victoria and Albert Museum, London.
Guide designed by TMS Media +44 (0)1493 662929*

